

COMPANY PROFILE

was founded in 2004 in Shenzhen, It is the founding brand of Chinese first generation of high-end aluminum doors and windows.It's Chinese leading high-end doors and windows manufacturer that integrates R&D design, production, sales, technology and service.

In China, we have a modern production workshop of more than 20,000 square meters, with a complete range of doors and windows products. There are awning windows, casement doors & windows, sliding doors & windows, folding doors & windows, glass Sunroom, glass curtain wall...etc.



COMPANY PROFILE

Product are certified by AS1288,AS2047,AS&NZS2208,AS4666.As the professional design, production, sales and service team's joint efforts, our products have been sold to Australia, Canada, New Zealand, the United States, Europe, Japan, and Southeast Asia,and other more than 20 countries, widely recognized and favored by users around the world. We will continue to work hard to produce high-quality products and dedicate to providing you with the best service. Please feel free to contact us!



FACTORY PROFILE

Garden style -production and research integration base
Located in Huizhou City. It covers an area of about 20,000 square meters.
Use the original German & Italian imported production equipment;
Annual production capacity of 300,000-400,000 square meters;
More than 100 production workers and more than 20 R&D personnel;
More than 5% of sales income are invested each year as research and development expenses!





FINIAL CERTIFICATION

Australia standard aluminum doors and windows



OUR PARTNER

FINIAL is proud to have established long-term relationships with these well-known brand-name partners, enabling us to provide our customers with high quality products and professional services. We believe that through our joint efforts, we will bring better products for customers.



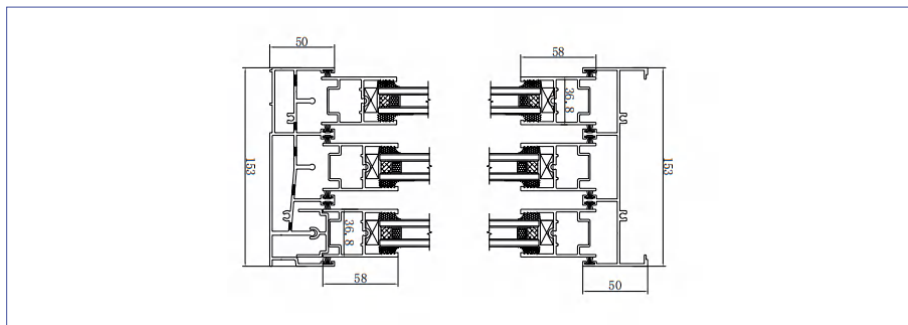


“

HT102

SLIDING DOORS/WINDOWS

Sliding door is one of the most popular products in Australia, with a profile thickness of 2.0mm and durable. It features double tempered glass for enhanced safety and heat retention. With its sleek design and reliable construction, this sliding door is a great addition to any modern living space.



Extrusion Profile

6063-T5 Aluminum Profile

Profile Thickness

2.0MM

Glass Option

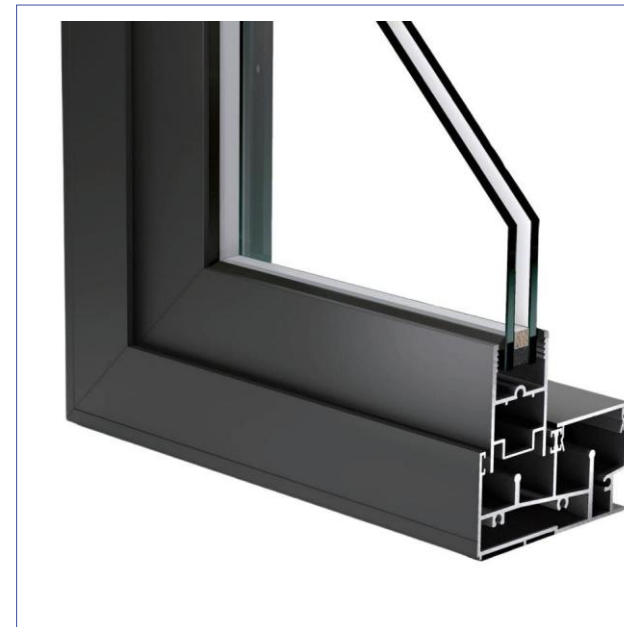
5MM+12A+5MM/6MM+12A+6MM/Other Glass Options

Structure Width

102MM

Hardware

Australian DORIC Brand



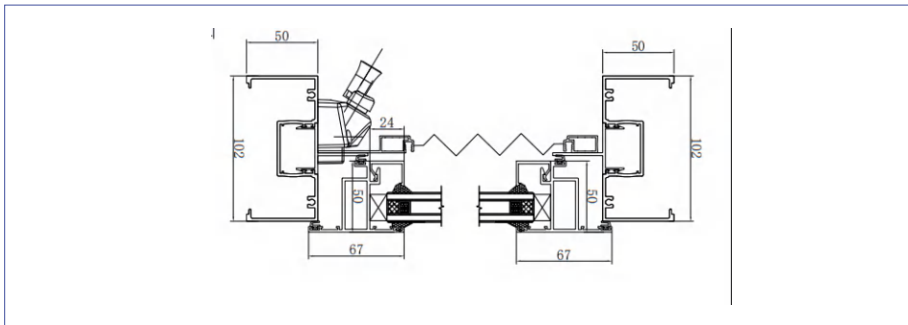
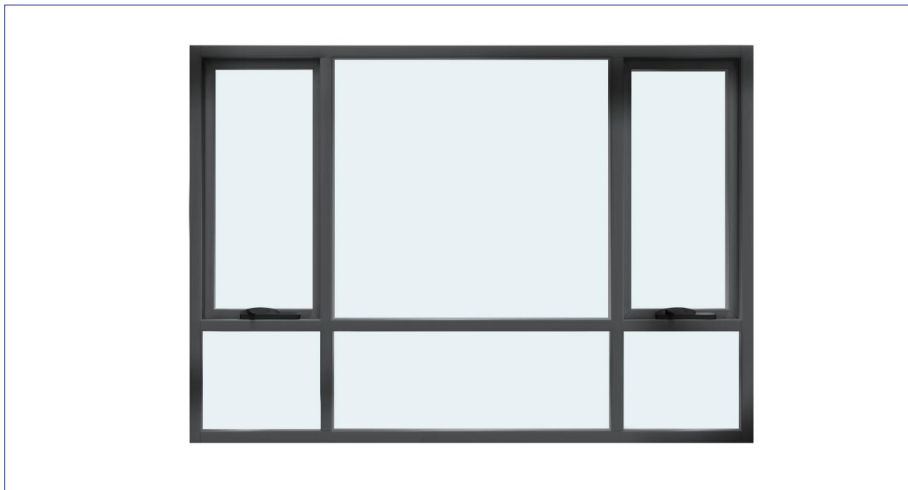


“

HT102

AWNING WINDOWS

Catering to the habits of our customer group, this awning window adopts a chain-type manual opening method, which can control the opening angle. The indoor surface can be equipped with a fly screen to play a good role in ventilation and mosquito prevention. Overall, awning window is a solid and safe choice for any home or building.



Extrusion Profile

6063-T5 Aluminum Profile

Profile Thickness

2.0MM

Glass Option

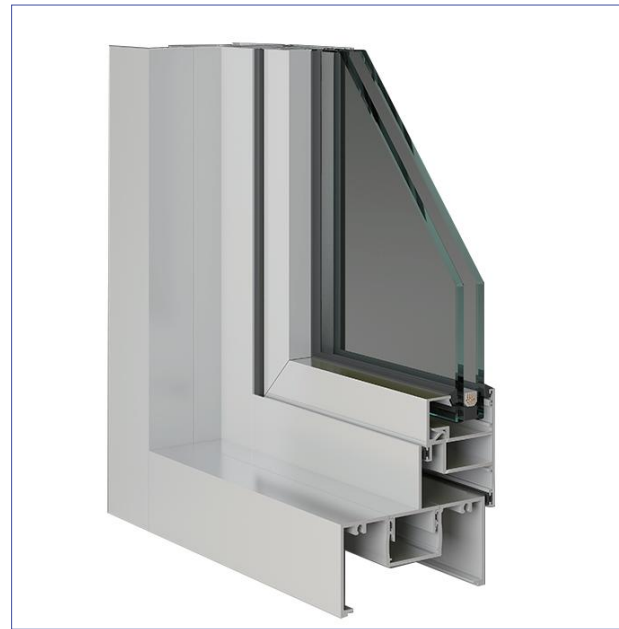
5MM+12A+5MM/6MM+12A+6MM/Other Glass Options

Structure Width

102MM

Hardware

Australian DORIC Brand



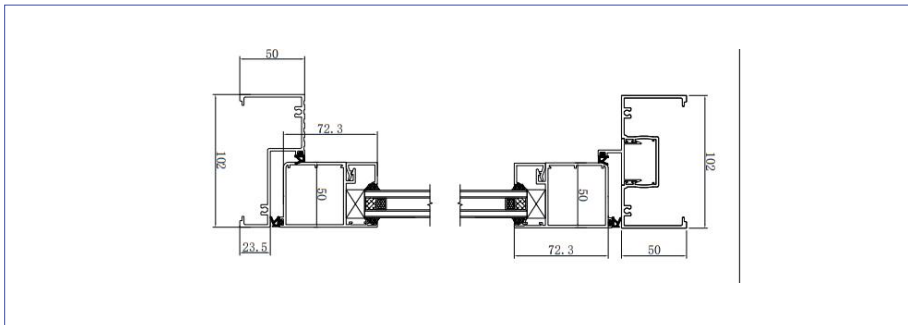


“

HT102

CASEMENT DOORS/WINDOWS

This casement door boasts a durable aluminum profile with a thickness of 2.0mm, offering stability and longevity. It is fitted with double tempered glass, providing enhanced safety and energy efficiency. The door's sleek design and reliable construction make it a great addition to any contemporary home or office.



Extrusion Profile

6063-T5 Aluminum Profile

Profile Thickness

2.0MM

Glass Option

5MM+12A+5MM/6MM+12A+6MM/Other Glass Options



Structure Width

102MM

Hardware

China KIN LONG Brand



“

HT102

POCKET SLIDING DOOR

This pocket door features a robust aluminum profile with a thickness of 2.0mm, providing stability and durability. It is fitted with double tempered glass, ensuring safety and sound insulation. The pocket door design allows it to slide seamlessly into a wall cavity, making it an excellent choice for maximizing space in any modern living or work environment.

Extrusion Profile

6063-T5 Aluminum Profile

Structure Width

102MM

Profile Thickness

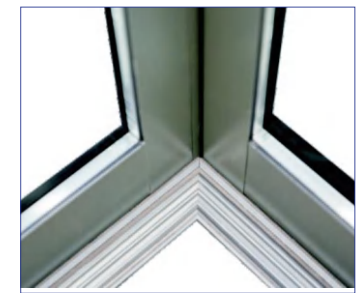
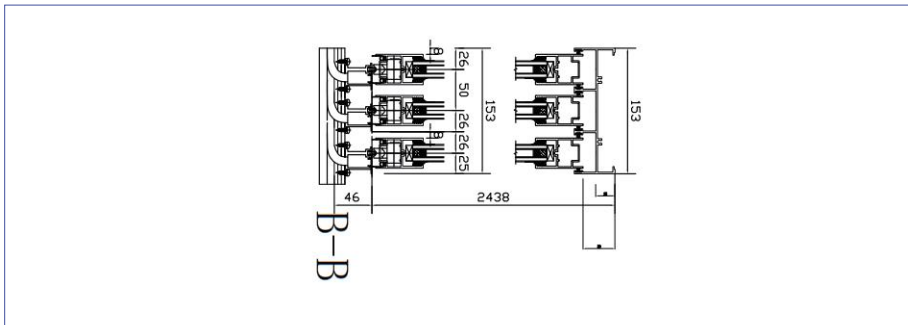
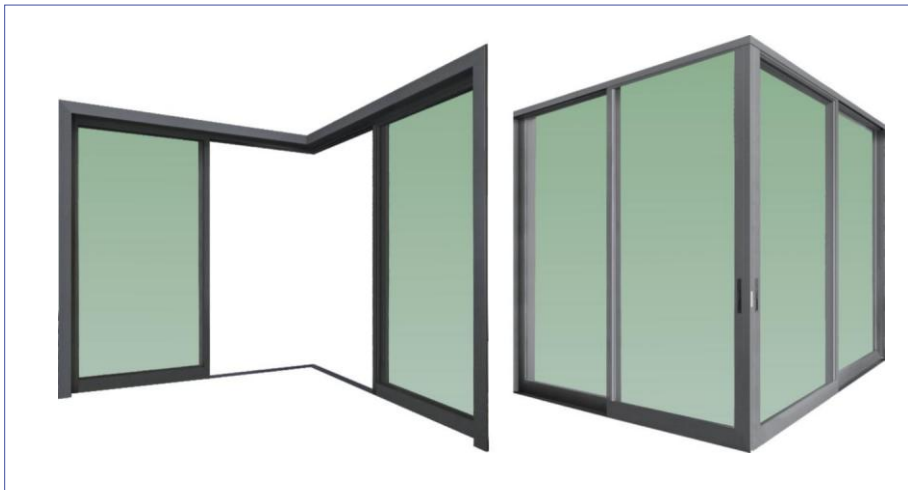
2.0MM

Hardware

Chinese Brand Or Australia DORIC Brand

Glass Option

5MM/6MM+9A/12A+5MM/6MM





HT102

GLASS LOUVERS

A manual glass louver is a window made up of multiple glass blades that can be manually adjusted to control the amount of air and light entering a room. They are operated by a handle or crank, allowing for easy and precise control. The louver windows are a popular choice for both residential and commercial applications due to their functionality and aesthetic appeal.

Extrusion Profile

6063-T5 Aluminum Profile

Structure Width

102MM

Profile Thickness

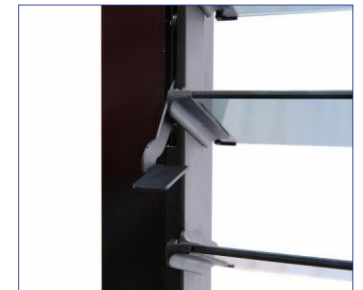
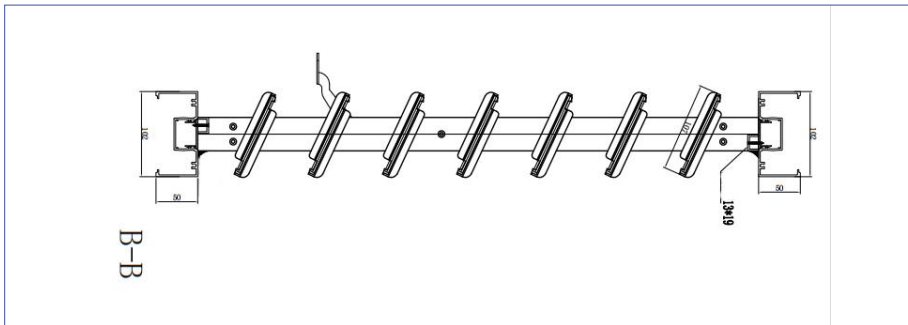
2.0MM

Hardware

Top China Brand

Glass Option

5MM





“

HT102

ALUMINUM LOUVERS

A manual aluminum louver is a window consisting of a series of horizontal or vertical blades made of aluminum that can be manually adjusted to regulate airflow and light in a room. These louvers are typically operated by a handle or crank, providing ease of use and precise control. They are a popular choice for both residential and commercial settings due to their durability and modern design.

Extrusion Profile

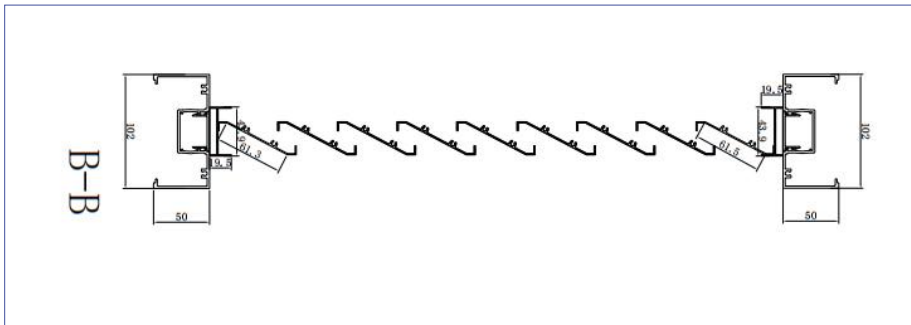
6063-T5 Aluminum Profile

Structure Width

102MM

Profile Thickness

2.0MM



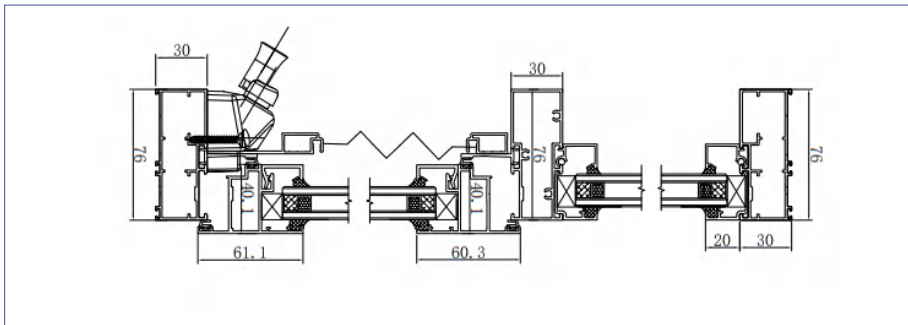
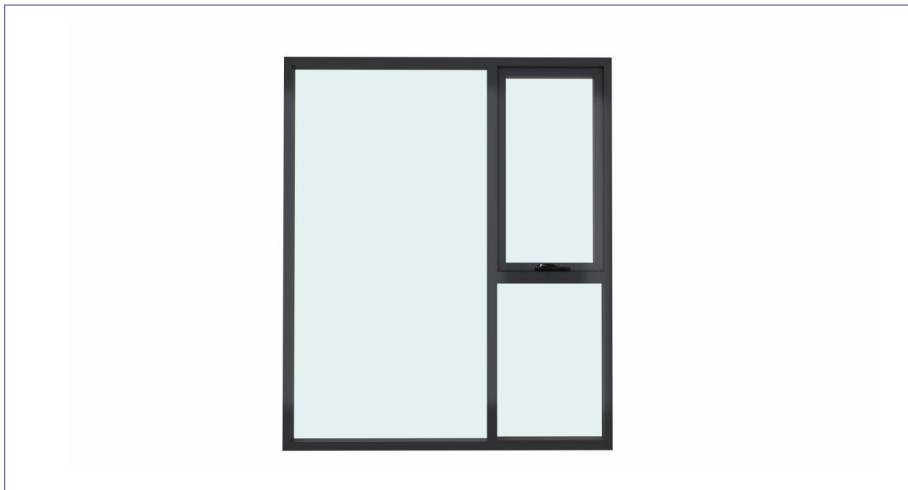
“

HT76

AWNING WINDOWS



This awning window features a lightweight aluminum profile with a thickness of 1.6mm, offering excellent strength and durability. It is equipped with double tempered glass, ensuring safety and energy efficiency. With its modern design and reliable construction, this awning window is an ideal choice for any residential space.



Extrusion Profile

6063-T5 Aluminum Profile

Profile Thickness

1.6MM

Glass Option

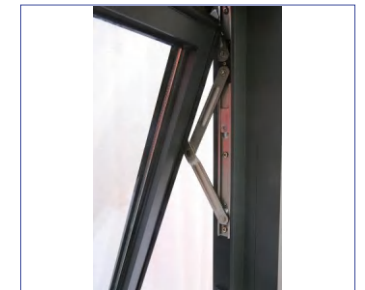
5MM+9A+5MM/6MM+9A+6MM/Other Glass Options

Structure Width

76MM

Hardware

Top China Brand



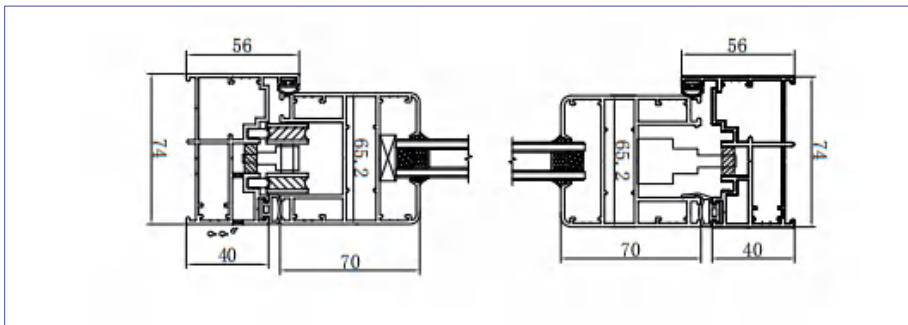


“

HT75

FOLDING DOORS

This folding door is equipped with a full set of LSMA hardware accessories, and double tempered glass enhances its thermal insulation performance. The rich sense of design makes it flexible to meet larger hole sizes. The folding door is to fold multiple glass doors to one side, and this kind of opening can satisfy customers with 100% ventilation and viewing effects. Folding doors have been sought after by more and more people who like a large view.



Extrusion Profile

6063-T5 Aluminum Profile

Structure Width

75MM

Profile Thickness

1.8MM

Hardware

LSMA Brand

Glass Option

5MM+9A+5MM/6MM+9A+6MM/Other Glass Options





“

HT83

HUNG WINDOWS

This hung window can be single-leaf or double-leaf, with flexible opening space options. It is equipped with double tempered glass to ensure safety and energy saving. With its classic design and reliable construction, this double-hung window is an excellent choice for any residential space.

Extrusion Profile

6063-T5 Aluminum Profile

Structure Width

83MM

Profile Thickness

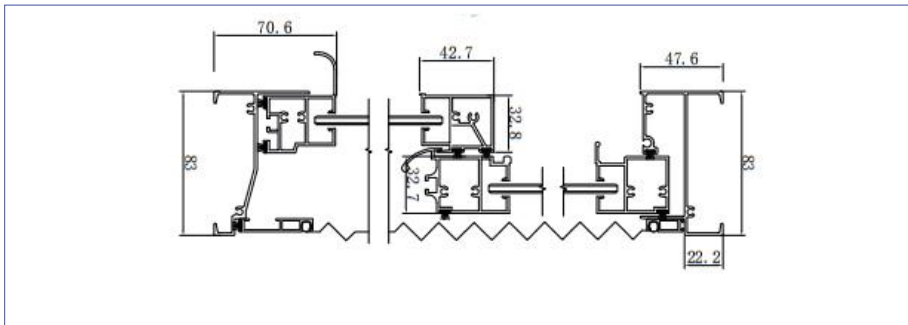
1.5MM

Hardware

Top China Brand

Glass Option

5MM+9A+5MM/Other Glass Options



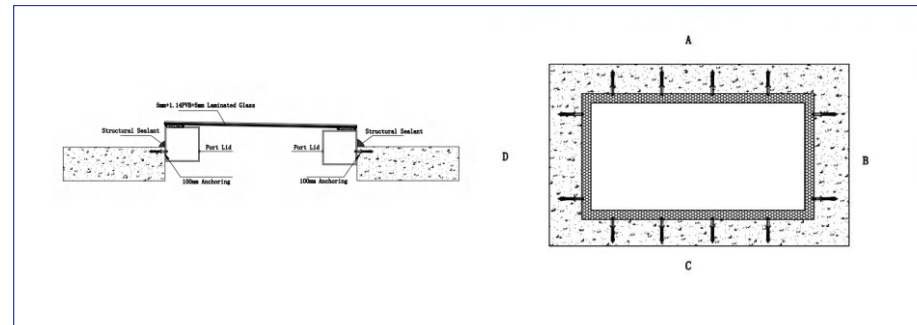


“

HS120

SUNROOM/SKYLIGHT

A sunroom is an enclosed living space that is designed to let in natural light while protecting occupants from the elements. These rooms are typically built with large windows, skylights, and glass roofs to allow for ample sunlight. Sunrooms can be used for a variety of purposes, including relaxation, entertaining, and enjoying nature in the comfort of an indoor space.



Extrusion Profile

6063-T5 Aluminum Profile

Structure Width

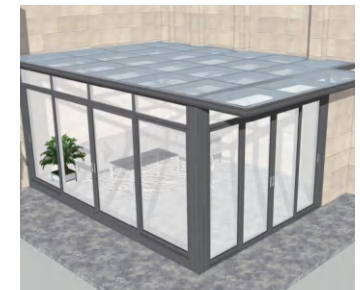
120MM

Profile Thickness

3.0MM

Glass Option

5MM+1.14PVB+5MM Tempered Laminated Glass
/Other Glass Options

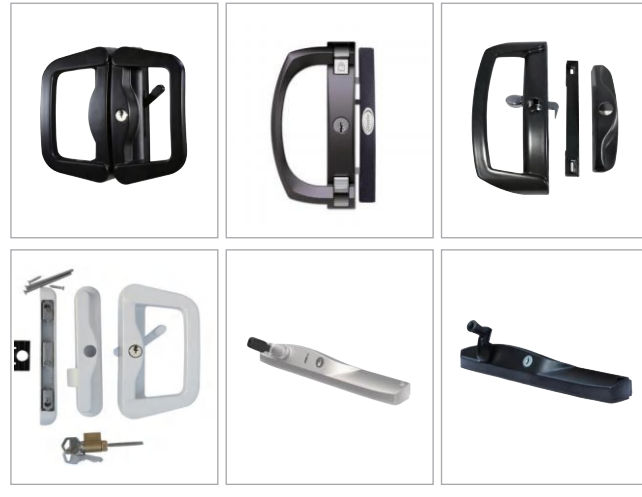


HARDWARE ACCESSORIES

KIN LONG



DORIC



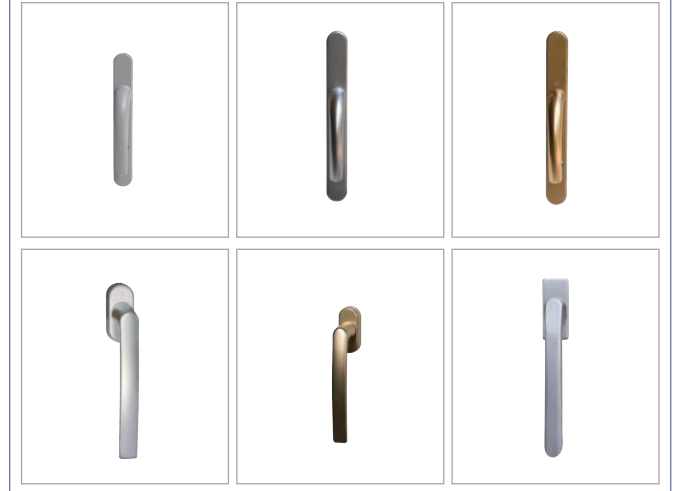
SIEGENIA



LSMA



HOPPE



STANDARD COLOR CHIPS



★HTPT-01(Matt Black)



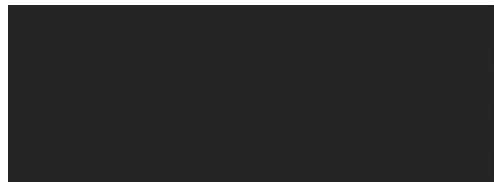
★HTPT-02(Monument)



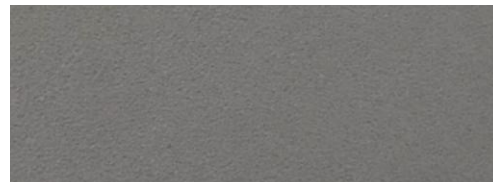
★HTPT-03(Pure White)



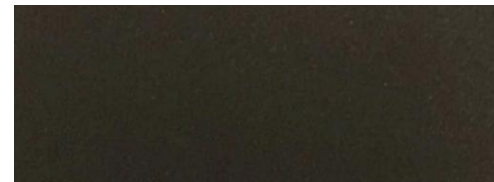
HTPT-04(Woodland Grey)



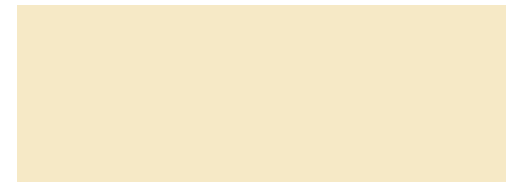
HTPT-05(Charcoal)



HTPT-06(Grey)



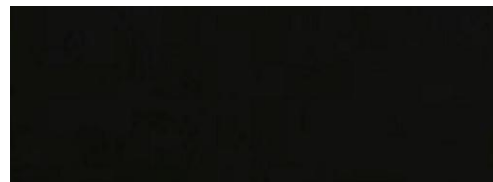
HTPT-07(Celestian)



HTPT-08(Classic Cream)



HTPT-09(Anodic Natural)



HTPT-10(Gloss Black)



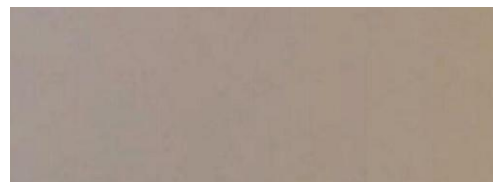
HTPT-11(Anodic Bronze Stain)



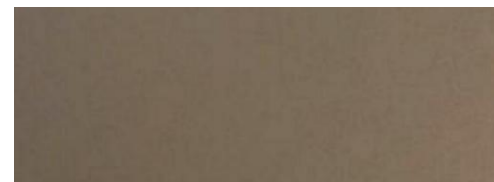
JHJP-02(Metal Grey Blue)



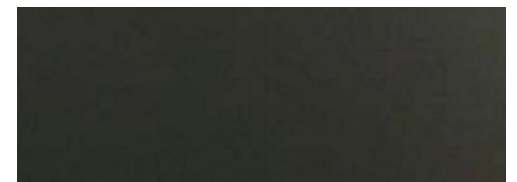
JHFT-01 (Fluorocarbon Flashing Silver)



JHFT-02 (Fluorocarbon Light Champagne)



JHFT-03 (Fluorocarbon Champagne Gold)

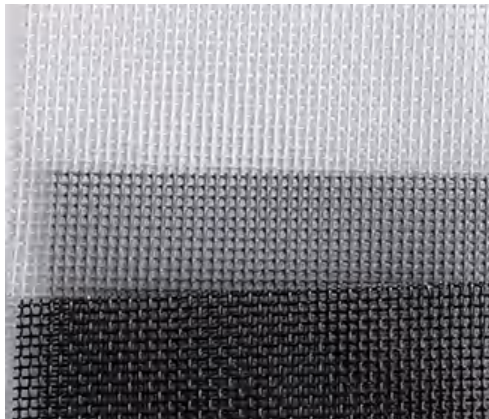
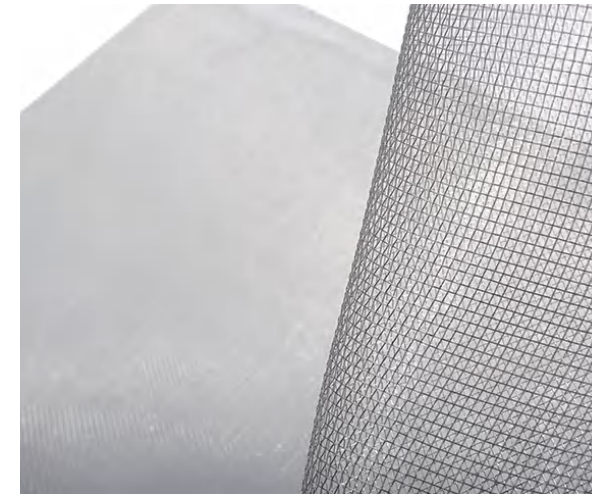


JHFT-04(Fluorocarbon Medium Gray)

FLYSCREEN AND
INSTALLATION MATERIALS

FLY SCREEN AND INSTALLATION MATERIALS

FLYSCREEN AND
INSTALLATION MATERIALS

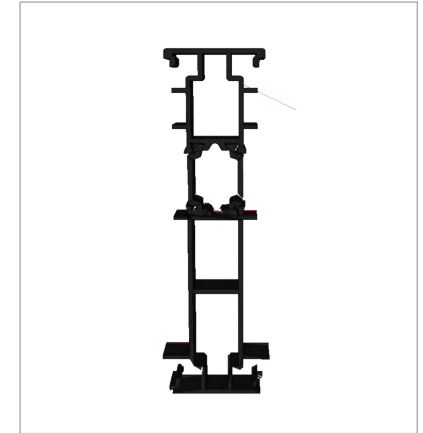
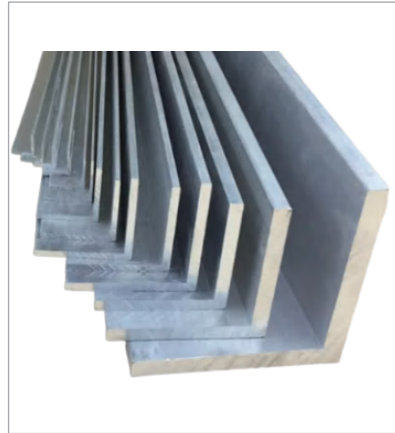


FLY SCREEN

Fly Screen Styles: Fixed Fly Screen, Sliding Fly Screen, Rolling Fly Screen, Retractable Fly Screen;
Materials Options: Fiberglass/304 Stainless Steel/Aluminum

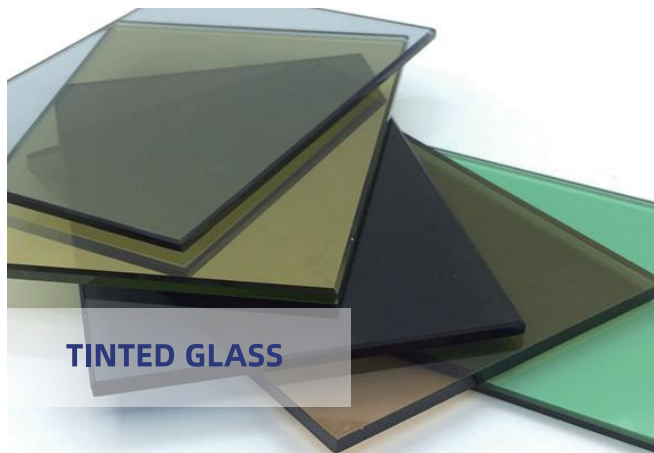
INSTALLATION MATERIALS

Installation Materials: Sub Head, Sub Sill, L Angle, T Fin(Nail) , Connection Bar, Aluminum L Angle , Timber Reveal etc.



FLYSCREEN AND
INSTALLATION MATERIALS
**FLYSCREEN AND
INSTALLATION MATERIALS**
FLYSCREEN AND
INSTALLATION MATERIALS

GLASS OPTION



Standard Glass Configuration : Double Tempered Clear Glass
Glass Color Options: European Gray, Light Green etc.

FINIAL CASE

Finial's aluminum doors and windows are divided into residential series and commercial series. Residential series can be used in apartments, luxury villas, townhouse, etc. Commercial series are widely used in commercial offices building, hotels, shopping malls, hospitals, schools, etc.





