

# **OUTDOOR FENCE**

# ABOUT FENCING



Founded in 2000, has been a well-recognized brand in global WPC market. With years of R&D focus on WPC production and design, occupies leading position among WPC manufacturers. manufacturing facility covers over 100,000 square feet, equipped with R&D lab, professional teams of technicians and designers, and certified by CE, ISO9001:2015, ISO14001:2015.

WPC is produced with 100% recycled and FSC approved wood flour and waste plastic by an extrusion process. WPC is a versatile material that combines the traditional appearance of timber with the durability and resilience of an engineered composite, attested by SGS and Intertek.

# FENCING

## FENCE CWF-04/05

### MEASUREMENT



CWF-04



CWF-05

### MATCHING FENCE GATE



CWB-01  
Single-Gate  
(W1100 × H1800mm)



CWB-02  
Double-Gate  
(W3200 × H2000mm)

# FENCE CWF-04/05

## COMPONENTS



① Post  
CFP-01(100x100mm)



① Post  
TF-02S(140x140mm)



② Fence Board  
CFB-01(150x20mm)



② Fence Board  
CFB-01(150x20mm)



③ Top Fence Board  
CFB-02(140x20mm)



③ Top Fence Board  
CFB-02(140x20mm)



④ Steel Base  
40x40mm



④ Steel Base  
(h1500\*φ74mm)



⑤ Aluminum Fence Base  
CH-03(20x26mm)



⑥ Sealing Edge  
CH-04(26.2x20mm)



⑦ Post Cap  
120x120mm

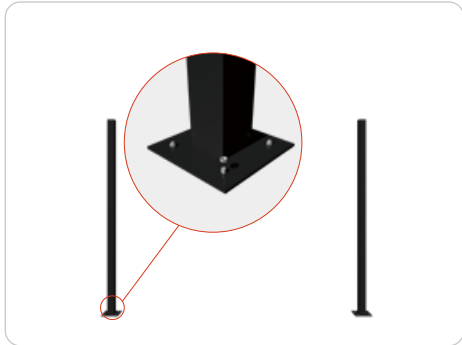


⑦ Post Cap  
PC-140(140x140mm)

# FENCING

## FENCE CWF-04/05

### ◆ INSTALLATION STEPS



#### 1. Fix Steel Bases

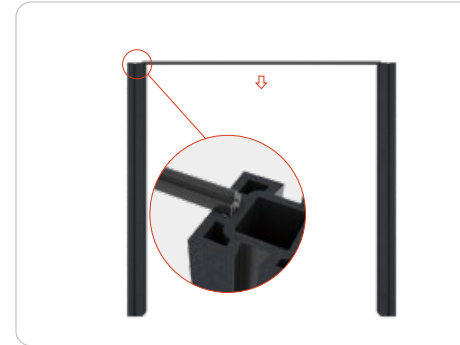
Determine the position of the fence posts, anchor the steel bases to the ground with SS expansion bolts.

Note: Keep the fence posts in a straight line.



#### 2. Set Posts

Slide posts over the steel bases.



#### 3. Fix the Aluminum Fence Base

Place the aluminum fence base on the bottom along the groove of the post.



#### 4. Slide in Fence Boards

Push the fence boards in one by one along the slots of the posts.

Note: Keep an overall gap of 5 mm between the board ends and the post slots.



#### 5. Place Top Board into Place

Place the Top Fence Board on top.



#### 6. Slot in Sealing Strips

Slot the sealing strips into the posts.



#### 7. Put on Post Caps

Put post caps on the posts.



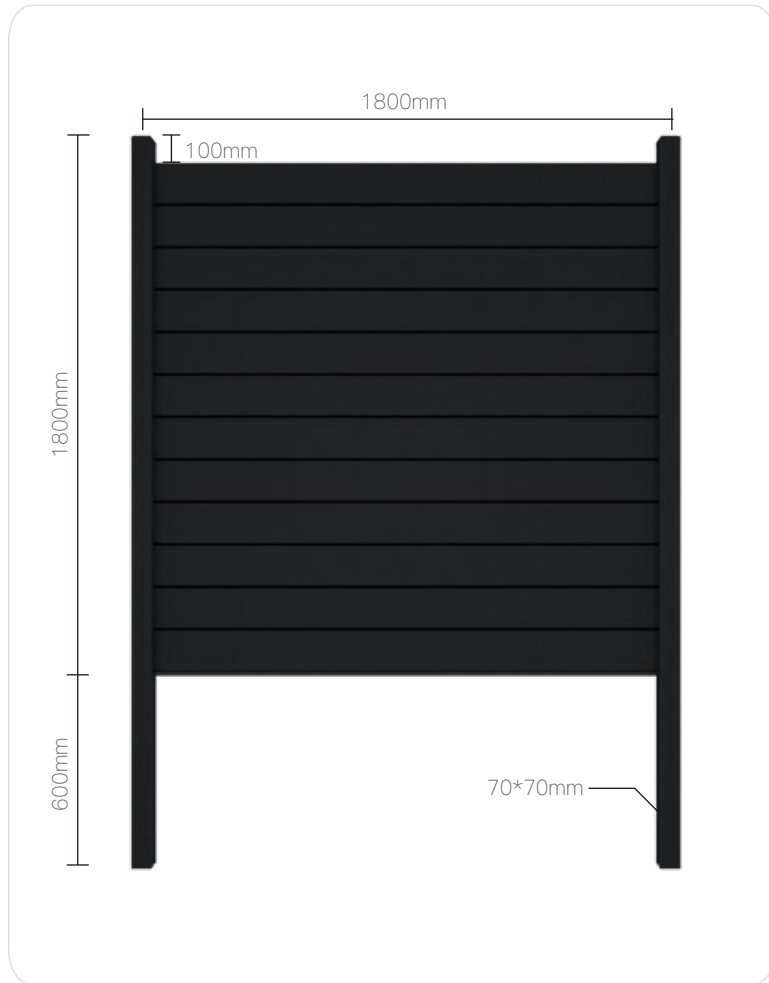
#### 8. Installation Finished

Continue and finish the installation in the same manner.

# FENCING

## FENCE CWF-06

### ◆ MEASUREMENT



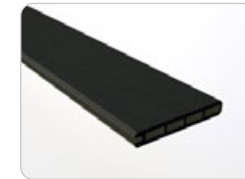
### ◆ COMPONENTS



① Aluminum-Post  
TA-01(70x70x2400mm)



② Fence Board  
CFB-01(150x20mm)



③ Top Fence Board  
CFB-02(140x20mm)



④ Aluminum Fence Base  
CH-03(20x26mm)



⑤ Clip  
TS-F(20x14mm)



⑥ Sealing Edge  
CH-05(24x6.5mm)

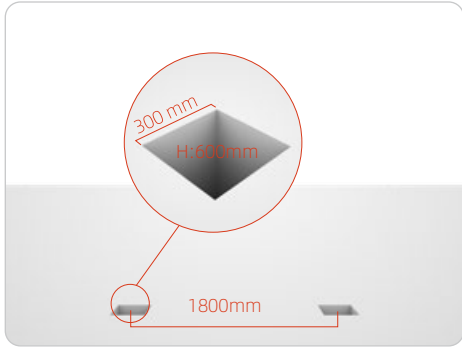


⑦ Post Cap  
PC-70(70x70mm)

# FENCING

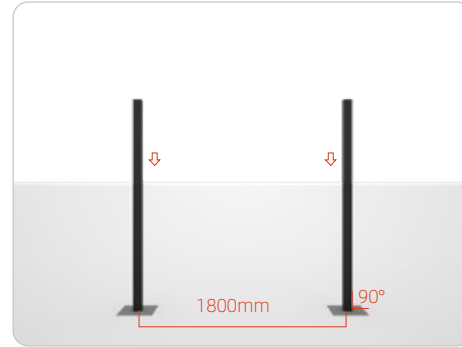
## FENCE CWF-06

### ◆ INSTALLATION STEPS



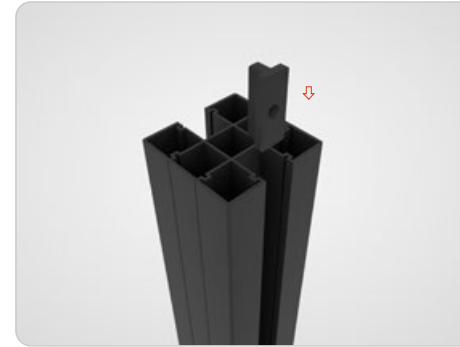
#### 1. Dig Holes

Dig 300\*300mm holes with a depth of 600 mm and make sure they're properly spaced. The spacing between posts on-center should be 1.8 m.



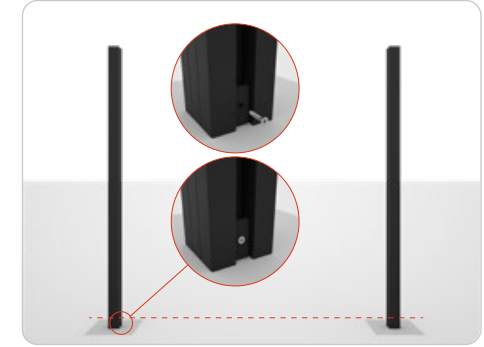
#### 2. Set Posts

Place posts into the holes. Pour in concrete and wait for it to set. Make sure the posts are plumb and in a straight line.



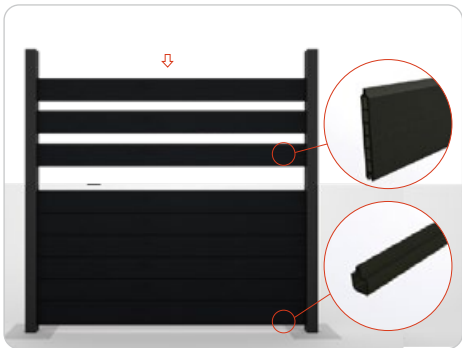
#### 3. Slide in Plastic Clips

Slide plastic clips (TS-F) into the post slots.



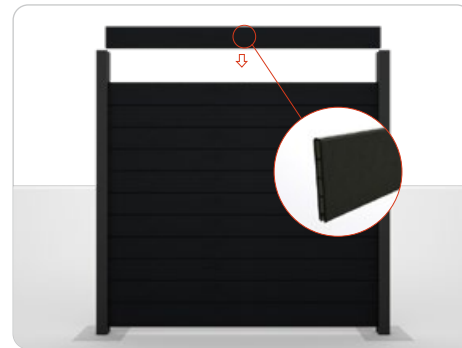
#### 4. Slide in Plastic Clips

Make sure the clips at the bottom of the two posts are flush with each other and in the correct position by using a level. Fix the plastic clips to the posts with self-drilling screws.



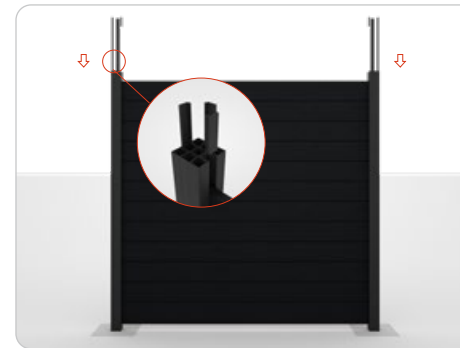
#### 5. Slide in Fence Boards

Place into position the aluminum fence base and fence boards one by one.



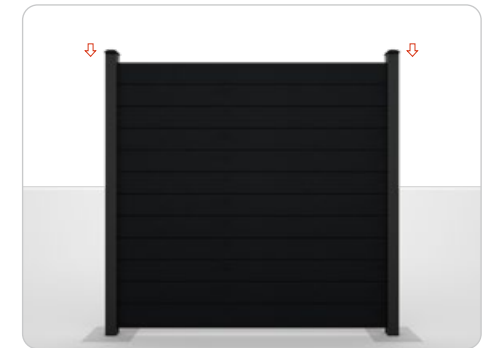
#### 6. Fix the Top Board

Finally install the top fence board.



#### 7. Fix the Sealing Edges

Slide in sealing edges.



#### 8. Installation Finished

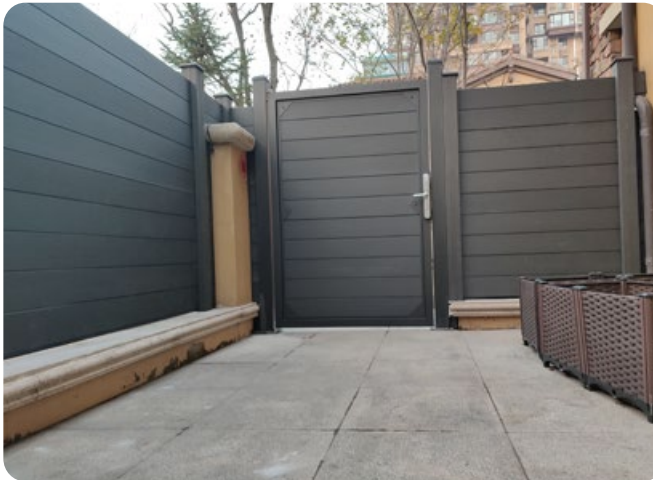
Put on post caps. Installation finished.



# FENCING

## FENCE CWF-04/05/06

### ◆ PROJECT CASE



### ◆ AVAILABLE COLORS



Red Pine



Coffee



Blue Gray



# FENCING

## Fence Gate CWB-01

### MEASUREMENT

#### 【Customized special metal door frame】

The exclusive customized door frame perfectly fits the wood-plastic fence board, which is more beautiful and elegant

#### 【The door frame and column adopt electrostatic spraying process】

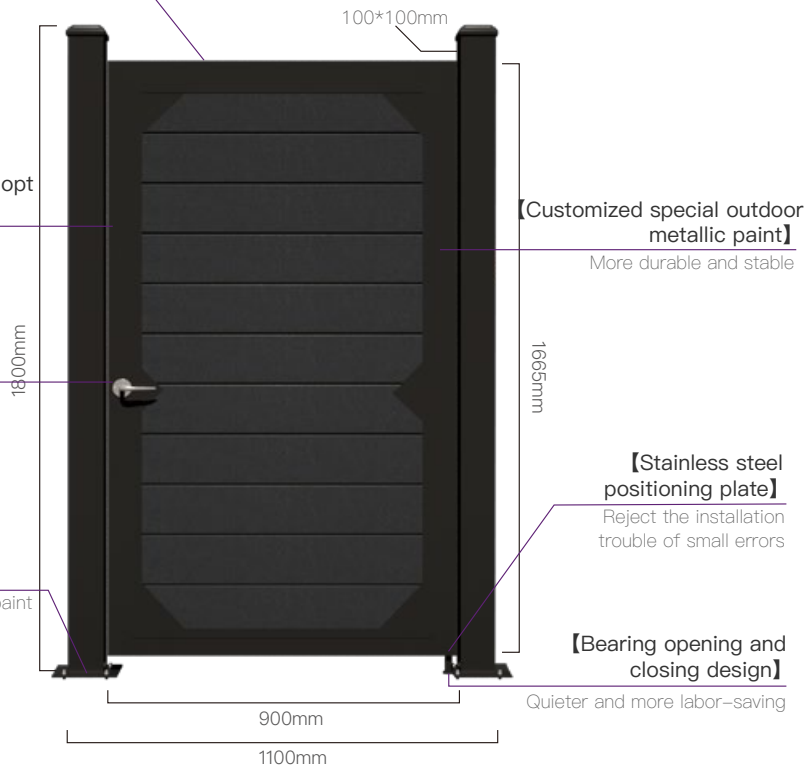
Stronger adhesion and smoother paint surface

#### 【Laser cutting】

Precise, even and tidy incision, safer and more convenient to assemble

#### 【Robot welding】

Stronger adhesion and smoother paint surface



#### 【Customized special outdoor metallic paint】

More durable and stable

#### 【Stainless steel positioning plate】

Reject the installation trouble of small errors

#### 【Bearing opening and closing design】

Quieter and more labor-saving

CWB-01  
For Fence CWF-04/05

### COMPONENTS



① Fence Gate CWB-01(1665x900mm)



② Steel Post TF-03S(h1800\*φ100mm)



③ U-Shaped Slot (1700x20x20mm)



④ L-Hinge



⑦ Latch Protector

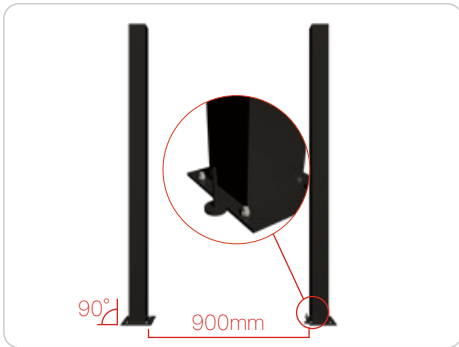


⑥ Post Cap AL-100(100x100mm)



⑤ Bearing

## ◆ Fence Gate CWB-01 Installation



### 1. Set Posts

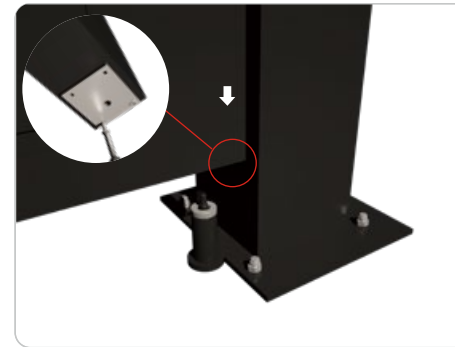
Prior to installation, make sure the ground is solid and smooth. Determine the swing direction of the fence gate. Anchor the fence gate posts to the ground with expansion bolts.

Note: Keep a distance of 900 mm between the sides of the posts and make sure they're plumb and in a straight line.



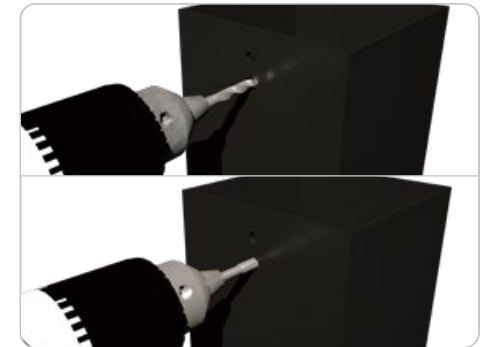
### 2. Install Bearing Pedestal and Bearing

Put the bearing pedestal and bearing on the pin.



### 3. Fix Shim to Gate

Fix the shim with screws over the hole on the bottom of the gate, make sure the shim is well centered. Mount the gate onto the pin.



### 4. Drill and Tap Holes

Use the gate to determine the position of the upper L-hinge, then drill and tap the holes for the L-hinge.



### 5. Fix L-Hinge to Post

Fix the L-hinge to the post with machine screws, and tighten the nuts from inside the post.



### 6. Gate Placement

Secure the L-hinge to the gate with a hexagon socket bolt.



### 7. Gate Placement Finished

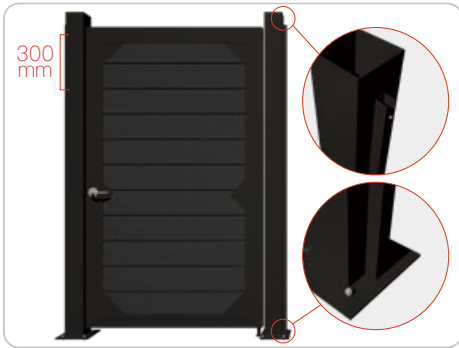
Gate placement completed.



### 8. Fix Strike Plate and Latch Protector

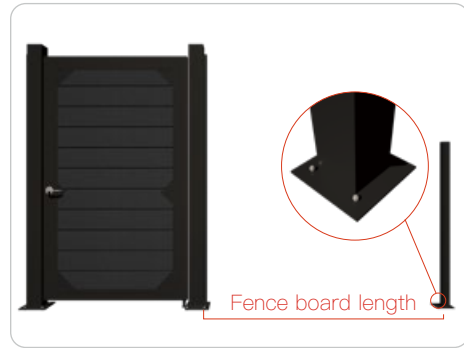
Fix the strike plate and latch protector to the post with self-drilling screws, and make sure it's in the correct position so that the lock functions well.

## ◆ Fence Installation



### 9. Fix U-Slots to Fence Gate Post

Place U-slots on the side of the fence gate post where fence boards are installed, make sure they're centered, then fix with screws at an interval of 30 cm.



### 10. Install Fence Post

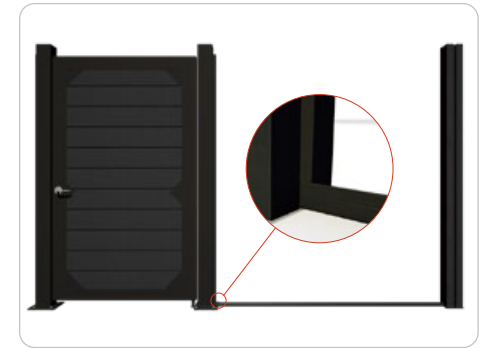
Determine the position of the fence posts, anchor the steel base to the ground with SS expansion bolts, and slide the fence post over the steel base.

Note: Make sure the fence posts are in a straight line.



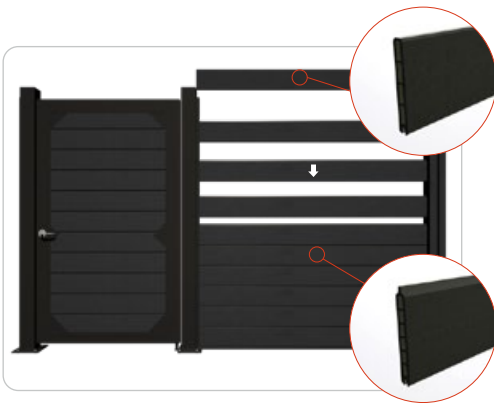
### 11. Set Posts

Put the post on the steel base.



### 12. Fix the Aluminum Fence Base

Slide an aluminum fence base to the bottom along the slots of the post.



### 13. Install Fence Boards

Push in the fence boards one by one along the slots of the posts, and the Top Fence Board should be last.



### 14. Insert Sealing Strips

Fence installation completed, Insert sealing strips into the posts.



### 15. Put on Post Caps

Put the post cap on the top of the post.



### 16. Installation Finished

Continue with other fence installations. Installation finished.

# FENCING

## Fence Gate CWB-02

### ◆ MEASUREMENT



CWB-02  
For Fence CWF-04/05

# FENCING

## Fence Gate CWB-02

### ◆ COMPONENTS



① Fence Gate  
CWB-02(3000x1700mm)



② Steel Post  
TF-03S(r2000\*100\*100mm)



③ U-Shaped Slot  
(1700x20x20mm)



④ L-Hinge



⑦ Latch Vertically



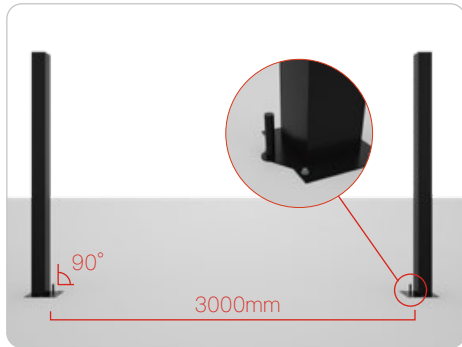
⑥ Post Cap  
AL-100(100x100mm)



⑤ Bearing



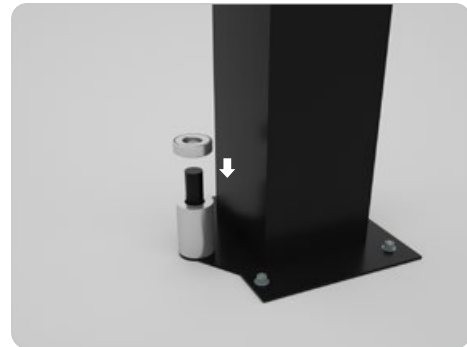
## ◆ Fence Gate CWB-02 Installation



### 1. Set Posts

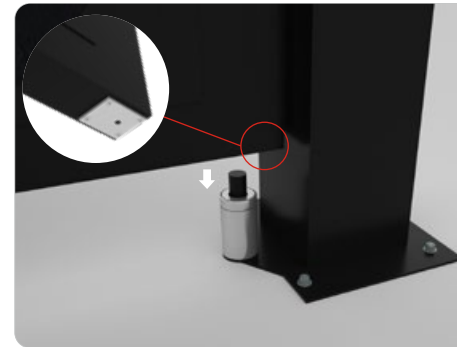
Before installation, make sure the ground is smooth and solid. Determine the swing direction of the gate. Anchor fence gate posts to the ground with expansion bolts.

Note: Keep a distance of 3000 mm between two posts and make sure they're in a straight line.



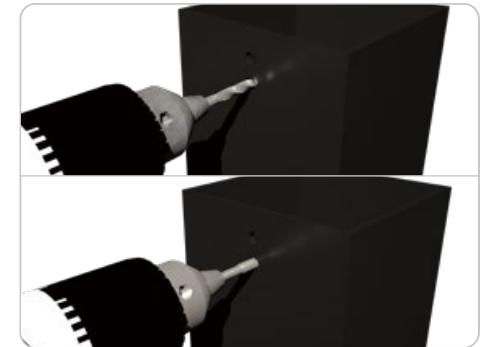
### 2. Install Bearing Pedestal and Bearing

Put the bearing pedestal and bearing on the shaft.



### 3. Fix Shim to Gate

Fix the shim with screws over the hole on the bottom of the gate, make sure the shim is well centered.



### 4. Drill and Tap Holes

Mount the gate to the post and then drill and tap the holes for the L-hinge.



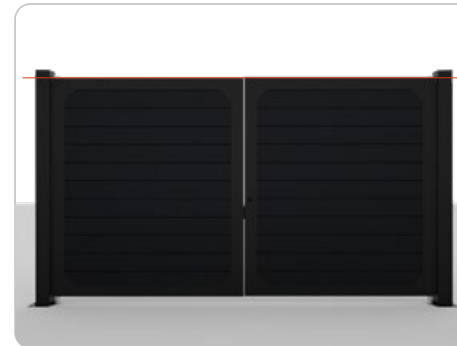
### 5. Fix L-Hinge to Post

Fix the L-hinge to the post with machine screws, and tighten the nuts from inside the post.



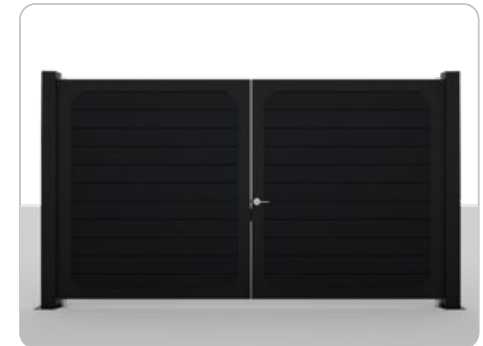
### 6. Gate Placement

Secure the gate in place with a machine screw going through the L-hinge.



### 7. Gate Placement Finished

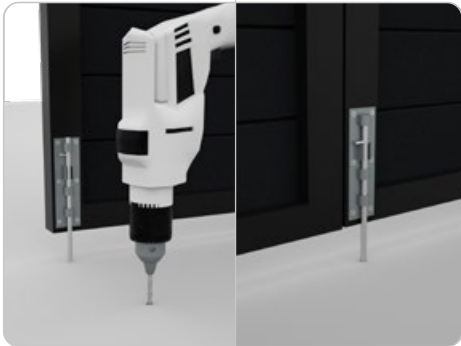
Make sure the left and right sides are aligned and the gaps are uniform. You can make adjustments by adding or reducing shims.



### 8. Install the lock

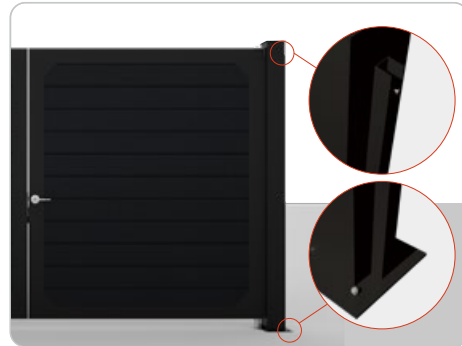
Fix the lock to the gate, and make sure it's in the correct position so that the lock functions well.

## ◆ Fence Gate CWB-02 Installation



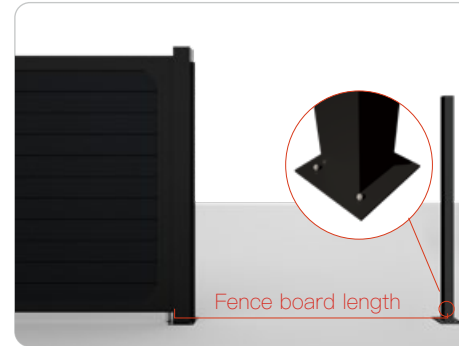
### 9. Fix Latch Vertically

With respect to the ground clearance, at the bottom of the gate, secure the latch vertically in position with self-drilling screws. Drill a hole 5 mm in depth and 16 mm in diameter on the ground to accommodate the latch bolt when locking the gate.



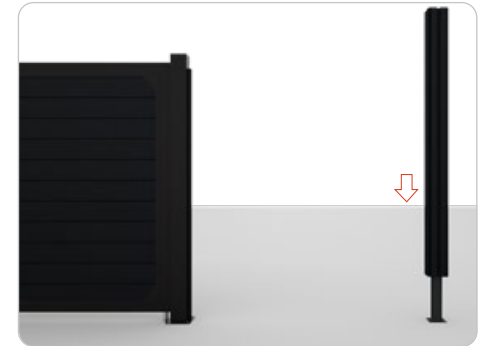
### 10. Fix U-Slots to Fence Gate Post

Place U-slots on the side of the fence gate post where fence boards are installed, make sure they're centered, then fix with screws at an interval of 30 cm.



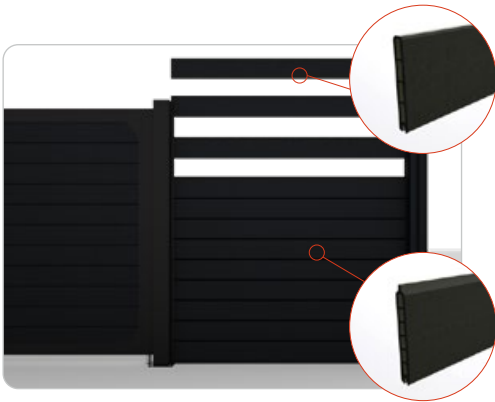
### 11. Set Posts

Put the post on the steel base.



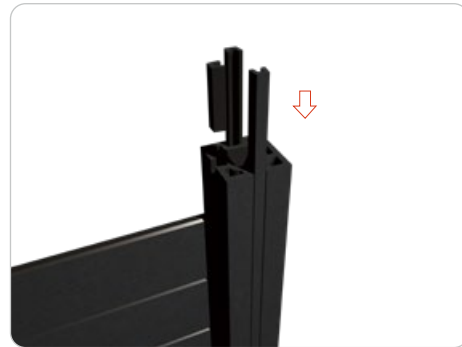
### 12. Fix the Aluminum Fence Base

Slide an aluminum fence base to the bottom along the slots of the post.



### 13. Install Fence Boards

Push in the fence boards one by one along the slots of the posts, and the Top Fence Board should be last.



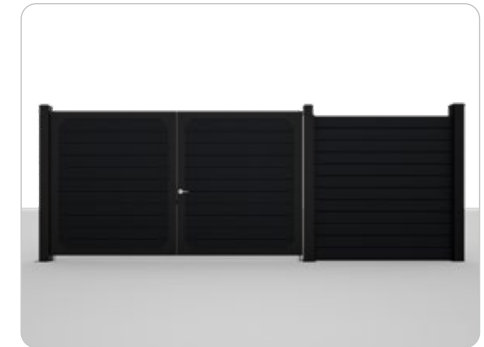
### 14. Insert Sealing Strips

Fence installation completed, Insert sealing strips into the posts.



### 15. Put on Post Caps

Put the post cap on the top of the post.



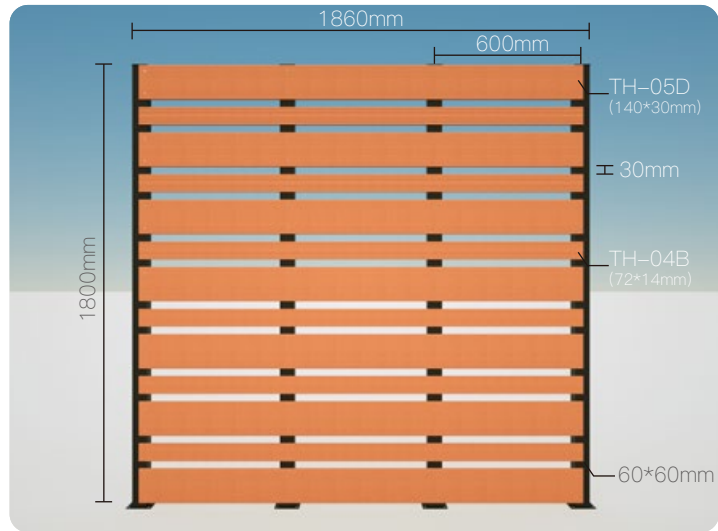
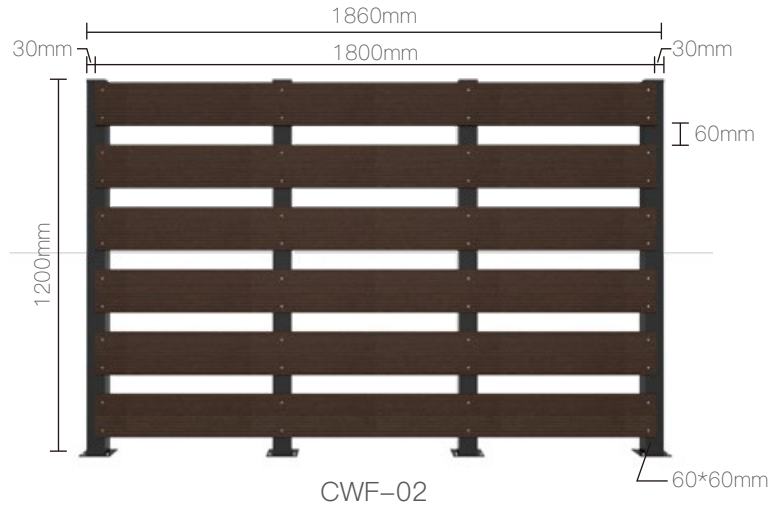
### 16. Installation Finished

Continue with other fence installations. Installation finished.

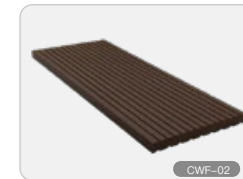
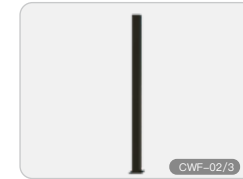
# FENCING

## FENCE CWF-02/03

### MEASUREMENT



### COMPONENTS



③ Fence Board TH-05D(140x13mm)



③ Fence Board 1 TH-05D(140x13mm)

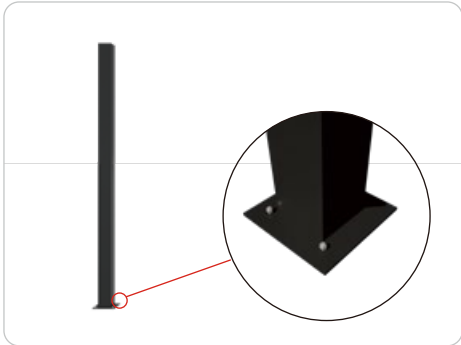


③ Fence Board 2 TH-04B(72x14mm)

# FENCING

## FENCE CWF-02/03

### ◆ INSTALLATION STEPS



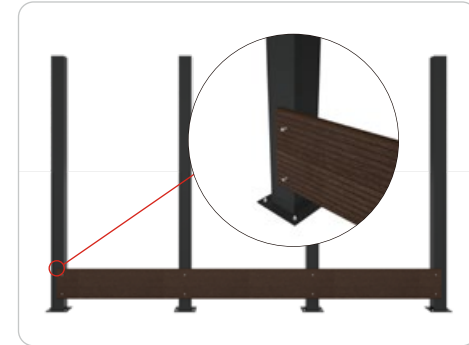
#### 1. Set the First Steel Post

Fix the steel post to the ground with SS expansion bolts.  
Note: Make sure the ground is solid and smooth.



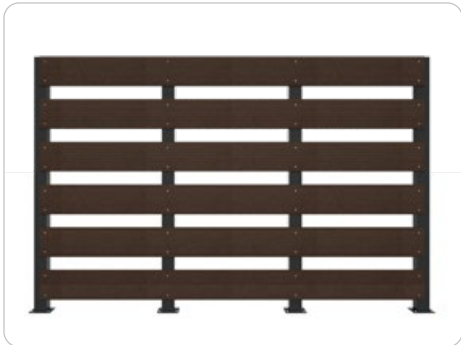
#### 2. Set Other Steel Posts

Fix the other steel posts. The distance between every two posts is 600mm.



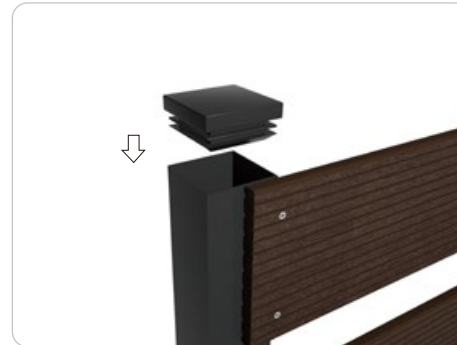
#### 3. Fix the First Fence Board

Fix the first fence board to the steel posts with screws.



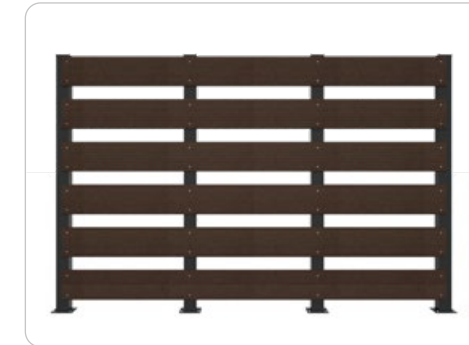
#### 4. Finish Fixing Fence board

Complete the installation of the remaining fence boards at an consistent interval.



#### 5. Put on the Post Cap

Put the post cap on each post.



#### 6. Finish Installation

The installation now is all finished.

# FENCING

## FENCE CWF-02/03

### ◆ PROJECT CASE



### ◆ AVAILABLE COLORS



Red Pine



Coffee



Blue Gray