

WELCOME TO OUR COMPANY

Our company is a leading manufacturer of all kinds of AS/NZS standard electrical products. Such as Classical Series Switch and Powerpoints; Slimline range Switch and powerpoints; W/P switch and GPO; Isolating switch; Industrial IP66 range switchgear; Electrical accessories, etc.

With over 16 years experience on Australian standard products market, we are professional and provide superior quality products. Our products have been fully tested and approved by SAA. We own variety of testing equipments to ensure all of our products are fully tested before shipment, such as Multifunction Endurance Test; Glow Wire Test ; Temperature Rise Test; High Voltage Test; Insulation Resistance Test; Ground Resistance Test; Insertion force test; Thread Torque test, etc.



WORKSHOP CORNER

The leading manufacturer of
all kinds of AS/NZS
standard electrical products

DIRECTORY

Domestic Wall switch / Domestic Powerpoints P01

Slimline Range Wall switch / Slimline Range Powerpoints P23

Switch Mechanisms P43

Electrical Accessories P46

Metal Brackets & Saddles P48

W/P range switch P49

W/P range GPO P49

MINI Weatherproof switch P50

Isolating switch P50

IP66 Industrial plug P51

IP66 Industrial Extension Socket P52

IP66 Industrial Surface Rotary switch P53

IP66 Industrial Socket outlet P53

IP66 Industrial Combination Switch Socket P54

Mounting Enclosure P54

Weatherproof Distribution Enclosure Four Pole P54

RCD Protected Outlets P55

Domestic Wall switch

► Domestic Wall switch



DS601

Standard: AS/NZS 3100
Description: One gang two way switch
AS/NZS 3133 250V 16A



DS601V

Standard: AS/NZS 3100
Description: One gang two way switch
AS/NZS 3133 250V 16A Vertical



DS603

Standard: AS/NZS 3100
Description: Two gang two way switch
AS/NZS 3133 250V 16A



DS603V

Standard: AS/NZS 3100
Description: Two gang two way switch
AS/NZS 3133 250V 16A Vertical



DS605

Standard: AS/NZS 3100
Description: Three gang two way switch
AS/NZS 3133 250V 16A



DS605V

Standard: AS/NZS 3100
Description: Three gang two way switch
AS/NZS 3133 250V 16A Vertical



DS607

Standard: AS/NZS 3100
Description: Four gang two way switch
AS/NZS 3133 250V 16A



DS607V

Standard: AS/NZS 3100
Description: Four gang two way switch
AS/NZS 3133 250V 16A Vertical



DS609

Standard: AS/NZS 3100
Description: Five gang two way switch
AS/NZS 3133 250V 16A



DS609V

Standard: AS/NZS 3100
Description: Five gang two way switch
AS/NZS 3133 250V 16A Vertical



DS611

Standard: AS/NZS 3100
Description: Six gang two way switch
AS/NZS 3133 250V 16A



DS611V

Standard: AS/NZS 3100
Description: Six gang two way switch
AS/NZS 3133 250V 16A Vertical

► Domestic Powerpoints



DS613

Standard: Description:
AS/NZS 3100 Single powerpoint
AS/NZS 3112 250V 10A



DS613V

Standard: Description:
AS/NZS 3100 Single powerpoint
AS/NZS 3112 250V 10A Vertical



DS613-15

Standard: Description:
AS/NZS 3100 Single powerpoint
AS/NZS 3112 250V 15A



DS613V-15

Standard: Description:
AS/NZS 3100 Single powerpoint
AS/NZS 3112 250V 15A Vertical



DS715

Standard: Description:
AS/NZS 3100 Double powerpoint
AS/NZS 3112 250V 10A



DS715V

Standard: Description:
AS/NZS 3100 Double powerpoint
AS/NZS 3112 250V 10A Vertical



DS716

Standard: Description:
AS/NZS 3100 Double powerpoint
AS/NZS 3112 250V 10A with extra switch



DS716V

Standard: Description:
AS/NZS 3100 Double powerpoint
AS/NZS 3112 250V 10A with extra switch Vertical



DS7161U

Standard: Description:
AS/NZS 3100 Double powerpoint
AS/NZS 3112 250V 10A with extra
one port USB mech 5V 2.1A



DS716V1U

Standard: Description:
AS/NZS 3100 Double powerpoint 250V 10A
AS/NZS 3112 with extra one port USB mech
5V 2.1A Vertical



DS7162U

Standard: Description:
AS/NZS 3100 Double powerpoint
AS/NZS 3112 250V 10A with extra
two ports USB mech 5V 2.1A



DS716V2U

Standard: Description:
AS/NZS 3100 Double powerpoint 250V 10A
AS/NZS 3112 with extra two ports USB mech
5V 2.1A Vertical

► Domestic Powerpoints



DSPPS

Standard: Description:
AS/NZS 3100 Single pole double powerpoints
AS/NZS 3112 250V 10A
with dual USB ports 5V 2.1A



DS632

Standard: Description:
AS/NZS 3100 Single socket
AS/NZS 3112 250V 32A for OVEN



DSPPD

Standard: Description:
AS/NZS 3100 Double pole double powerpoints
AS/NZS 3112 250V 10A
with dual USB ports 5V 2.1A



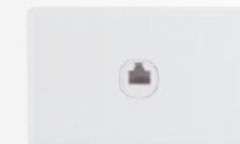
DSTVC

Description:
TV outlet coaxial



DSTVF

Description:
TV outlet standard F type



DSRJ11

Description:
RJ11 outlet used for phone



DSRJ45

Description:
RJ45 outlet CAT6 used
for Computer data



▶ Domestic Powerpoints



▶ 4.2A USB charger

DS2A/-15

Description:
Single pole Double powerpoint 250V 10A/15A
with double Type A USB ports 5V 4.2A

DGP2A/-15

Description:
Double pole Double powerpoint 250V 10A/15A
with double Type A USB ports 5V 4.2A

4.2A USB charger

DS2C/-15

Description:
Single pole Double Powerpoint 250V 10A/15A
with double Type C USB ports 5V 4.2A

DGP2C/-15

Description:
Double pole Double Powerpoint 250V 10A/15A
with double Type C USB ports 5V 4.2A



▶ 4.2A USB charger

DSAC/-15

Description:
Single pole Double Powerpoint 250V 10A/15A
with Type A + Type C USB ports 5V 4.2A

DGPAC/-15

Description:
Double pole Double Powerpoint 250V 10A/15A
with Type A + Type C USB ports 5V 4.2A

▶ Domestic Powerpoints

▶ SPECIFICATIONS (USB power supply)

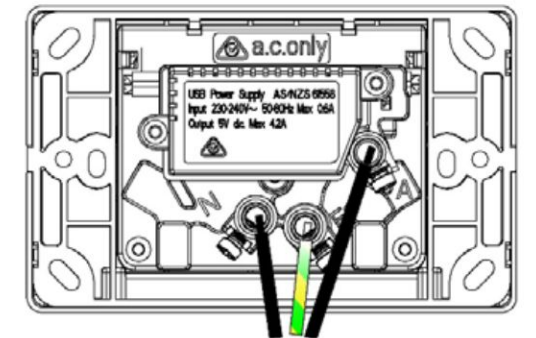
Input Voltage	230-250V~
Input Frequency	50-60Hz
Input Current	Max. 0.6A
Output Voltage	5V DC
Output Current	4.2A max
USB protection	Over heat, over current, over voltage
USB Compliance	AS/NZS 61558.1, AS/NZS 61558.2.16; AS/NZS CLSPR32:2015SAA Certified
Size	118X74X13mm
Warranty	2 years

▶ IMPORTANT NOTE

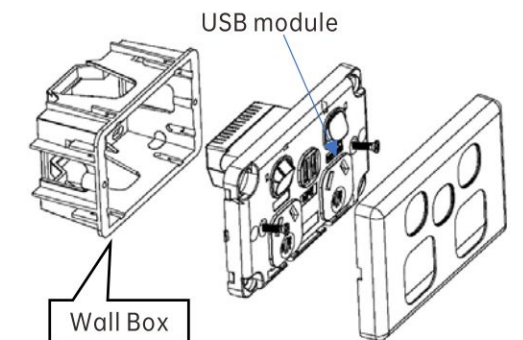
1. The products must be installed by qualified electricians.
2. Please check your local wiring regulations before installation. Suggest installing product with 47mm depth wall-box.
3. Suitable for mounting on concrete or other noncombustible surface only.
4. Safekeeping the surround to prevent damage during product installation. Don't disassemble the USB module.
5. Turn off the power supply when you clean the product. Use a piece of soft cloth or tissue paper to wipe off the dust and dirt on the surface. Avoid using corrosive chemicals.
6. Do not insert metal objects into USB Power Supply.
7. This permanently connected equipment does not contain internal disconnected device, a readily accessible disconnected device should be provided externally.
8. Indoor use only.

▶ MOUNTING INSTRUCTION

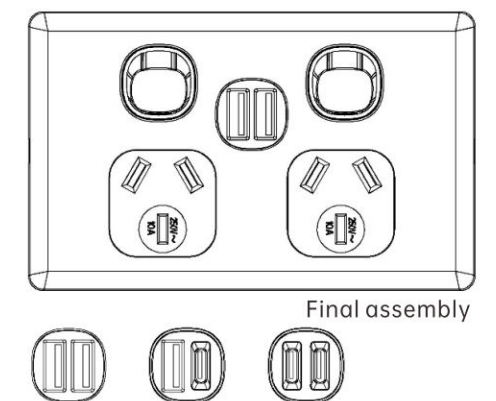
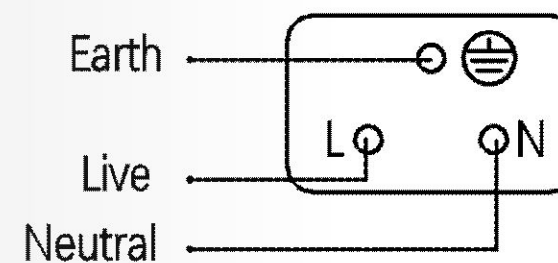
1. Connect the wires of the charger to the Live and Neutral terminals (recommend to leave 8-12mm bare metal wires) and tighten the terminal screws.
2. Snap the USB module into the grid plate.
3. Screw the grid plate onto the wall box.
4. Snap the product cover.



B: Mounting diagrammatic sketch



A: Wiring diagrams



Domestic Wall switch

► Domestic Wall switch



DS601BLKM

Standard: AS/NZS 3100
AS/NZS 3133 Description: One gang two way switch
250V 16A Matt black



DS601VBLKM

Standard: AS/NZS 3100
AS/NZS 3133 Description: One gang two way switch
250V 16A Vertical Matt black



DS603BLKM

Standard: AS/NZS 3100
AS/NZS 3133 Description: Two gang two way switch
250V 16A Matt black



DS603VBLKM

Standard: AS/NZS 3100
AS/NZS 3133 Description: Two gang two way switch
250V 16A Vertical Matt black



DS605BLKM

Standard: AS/NZS 3100
AS/NZS 3133 Description: Three gang two way switch
250V 16A Matt black



DS605VBLKM

Standard: AS/NZS 3100
AS/NZS 3133 Description: Three gang two way switch
250V 16A Vertical Matt black



DS607BLKM

Standard: AS/NZS 3100
AS/NZS 3133 Description: Four gang two way switch
250V 16A Matt black



DS607VBLKM

Standard: AS/NZS 3100
AS/NZS 3133 Description: Four gang two way switch
250V 16A Vertical Matt black



DS609BLKM

Standard: AS/NZS 3100
AS/NZS 3133 Description: Five gang two way switch
250V 16A Matt black



DS609VBLKM

Standard: AS/NZS 3100
AS/NZS 3133 Description: Five gang two way switch
250V 16A Vertical Matt black



DS611BLKM

Standard: AS/NZS 3100
AS/NZS 3133 Description: Six gang two way switch
250V 16A Matt black



DS611VBLKM

Standard: AS/NZS 3100
AS/NZS 3133 Description: Six gang two way switch
250V 16A Vertical Matt black



Domestic Powerpoints



▶ Domestic Powerpoints



DS613BLKM

Standard: Description:
AS/NZS 3100 Single powerpoint
AS/NZS 3133 250V 10A Matt black



DS613VBLKM

Standard: Description:
AS/NZS 3100 Single powerpoint
AS/NZS 3133 250V 10A Vertical Matt black



DS613BLKM-15

Standard: Description:
AS/NZS 3100 Single powerpoint
AS/NZS 3133 250V 15A Matt black



DS613VBLKM-15

Standard: Description:
AS/NZS 3100 Single powerpoint
AS/NZS 3133 250V 15A Vertical Matt black



DS715BLKM

Standard: Description:
AS/NZS 3100 Double powerpoint
AS/NZS 3133 250V 10A Matt black



DS715VBLKM

Standard: Description:
AS/NZS 3100 Double powerpoint
AS/NZS 3133 250V 10A Vertical Matt black



DS716BLKM

Standard: Description:
AS/NZS 3100 Double powerpoint
AS/NZS 3133 250V 10A
with extra switch Matt black



DS716VBLKM

Standard: Description:
AS/NZS 3100 Double powerpoint
AS/NZS 3133 250V 10A with extra switch
Vertical Matt black



DS7161UBLKM

Standard: Description:
AS/NZS 3100 Double powerpoint
AS/NZS 3133 250V 10A with extra one port
USB mech 5V 2.1A Matt black



DS716V1UBLKM

Standard: Description:
AS/NZS 3100 Double powerpoint
AS/NZS 3133 250V 10A with extra one port USB
mech 5V 2.1A Vertical Matt black



DS7162UBLKM

Standard: Description:
AS/NZS 3100 Double powerpoint
AS/NZS 3133 250V 10A with extra two ports
USB mech 5V 2.1A Matt black



DS716V2UBLKM

Standard: Description:
AS/NZS 3100 Double powerpoint
AS/NZS 3133 250V 10A with extra two ports USB
mech 5V 2.1A Vertical Matt black

Domestic Wall switch



► Domestic Wall switch



DS601SAL

Standard: AS/NZS 3100
Description: AS/NZS 3133 One gang two way switch
 250V 16A with Aluminum cover



DS601VSAL

Standard: AS/NZS 3100
Description: AS/NZS 3133 One gang two way switch
 250V 16A Vertical with Aluminum cover



DS603SAL

Standard: AS/NZS 3100
Description: AS/NZS 3133 Two gang two way switch
 250V 16A with Aluminum cover



DS603VSAL

Standard: AS/NZS 3100
Description: AS/NZS 3133 Two gang two way switch
 250V 16A Vertical with Aluminum cover



DS605SAL

Standard: AS/NZS 3100
Description: AS/NZS 3133 Three gang two way switch
 250V 16A with Aluminum cover



DS605VSAL

Standard: AS/NZS 3100
Description: AS/NZS 3133 Three gang two way switch
 250V 16A Vertical with Aluminum cover



DS607SAL

Standard: AS/NZS 3100
Description: AS/NZS 3133 Four gang two way switch
 250V 16A with Aluminum cover



DS607VSAL

Standard: AS/NZS 3100
Description: AS/NZS 3133 Four gang two way switch
 250V 16A Vertical with Aluminum cover



DS609SAL

Standard: AS/NZS 3100
Description: AS/NZS 3133 Five gang two way switch
 250V 16A with Aluminum cover



DS609VSAL

Standard: AS/NZS 3100
Description: AS/NZS 3133 Five gang two way switch
 250V 16A Vertical with Aluminum cover



DS611SAL

Standard: AS/NZS 3100
Description: AS/NZS 3133 Six gang two way switch
 250V 16A with Aluminum cover



DS611VSAL

Standard: AS/NZS 3100
Description: AS/NZS 3133 Six gang two way switch
 250V 16A Vertical with Aluminum cover

Domestic Powerpoints



► Domestic Powerpoints



DS613SAL

Standard: AS/NZS 3100
Description: Single powerpoint 250V 10A with Aluminum cover



DS613VSAL

Standard: AS/NZS 3100
Description: Single powerpoint 250V 10A Vertical with Aluminum cover



DS613SAL-15

Standard: AS/NZS 3100
Description: Single powerpoint 250V 15A with Aluminum cover



DS613VSAL-15

Standard: AS/NZS 3100
Description: Single powerpoint 250V 15A Vertical with Aluminum cover



DS715SAL

Standard: AS/NZS 3100
Description: Double powerpoint 250V 10A with Aluminum cover



DS715VSAL

Standard: AS/NZS 3100
Description: Double powerpoint 250V 10A Vertical with Aluminum cover



DS716SAL

Standard: AS/NZS 3100
Description: Double powerpoint 250V 10A with extra switch with Aluminum cover



DS716VSAL

Standard: AS/NZS 3100
Description: Double powerpoint 250V 10A with extra switch Vertical with Aluminum cover



DS7161USAL

Standard: AS/NZS 3100
Description: Double powerpoint 250V 10A with extra one port USB mech 5V 2.1A with Aluminum cover



DS716V1USAL

Standard: AS/NZS 3100
Description: Double powerpoint 250V 10A with extra one port USB mech 5V 2.1A Vertical with Aluminum cover



DS7162USAL

Standard: AS/NZS 3100
Description: Double powerpoint 250V 10A with extra two ports USB mech 5V 2.1A with Aluminum cover



DS716V2USAL

Standard: AS/NZS 3100
Description: Double powerpoint 250V 10A with extra two ports USB mech 5V 2.1A Vertical with Aluminum cover

Domestic Wall switch



► Domestic Wall switch



DS601BM

Standard: AS/NZS 3100
Description: One gang two way switch
 AS/NZS 3133 250V 16A with Matt black cover



DS601VBM

Standard: AS/NZS 3100
Description: One gang two way switch
 AS/NZS 3133 250V 16A Vertical with Matt black cover



DS603BM

Standard: AS/NZS 3100
Description: Two gang two way switch
 AS/NZS 3133 250V 16A with Matt black cover



DS603VBM

Standard: AS/NZS 3100
Description: Two gang two way switch
 AS/NZS 3133 250V 16A Vertical with Matt black cover



DS605BM

Standard: AS/NZS 3100
Description: Three gang two way switch
 AS/NZS 3133 250V 16A with Matt black cover



DS605VBM

Standard: AS/NZS 3100
Description: Three gang two way switch
 AS/NZS 3133 250V 16A Vertical with Matt black cover



DS607BM

Standard: AS/NZS 3100
Description: Four gang two way switch
 AS/NZS 3133 250V 16A with Matt black cover



DS607VBM

Standard: AS/NZS 3100
Description: Four gang two way switch
 AS/NZS 3133 250V 16A Vertical with Matt black cover



DS609BM

Standard: AS/NZS 3100
Description: Five gang two way switch
 AS/NZS 3133 250V 16A with Matt black cover



DS609VBM

Standard: AS/NZS 3100
Description: Five gang two way switch
 AS/NZS 3133 250V 16A Vertical with Matt black cover



DS611BM

Standard: AS/NZS 3100
Description: Six gang two way switch
 AS/NZS 3133 250V 16A with Matt black cover



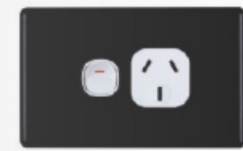
DS611VBM

Standard: AS/NZS 3100
Description: Six gang two way switch
 AS/NZS 3133 250V 16A Vertical with Matt black cover

Domestic Powerpoints



► Domestic Powerpoints



DS613BM

Standard: AS/NZS 3100
Description: Single powerpoint 250V 10A with Matt black cover



DS613VBM

Standard: AS/NZS 3100
Description: Single powerpoint 250V 10A Vertical with Matt black cover



DS613BM-15

Standard: AS/NZS 3100
Description: Single powerpoint 250V 15A with Matt black cover



DS613VBM-15

Standard: AS/NZS 3100
Description: Single powerpoint 250V 15A Vertical with Matt black cover



DS715BM

Standard: AS/NZS 3100
Description: Double powerpoint 250V 10A with Matt black cover



DS715VBM

Standard: AS/NZS 3100
Description: Double powerpoint 250V 10A Vertical with Matt black cover



DS716BM

Standard: AS/NZS 3100
Description: Double powerpoint 250V 10A with extra switch with Matt black cover



DS716VBM

Standard: AS/NZS 3100
Description: Double powerpoint 250V 10A with extra switch Vertical with Matt black cover



DS7161UBM

Standard: AS/NZS 3100
Description: Double powerpoint 250V 10A with extra one port USB mech 5V 2.1A with Matt black cover



DS716V1UBM

Standard: AS/NZS 3100
Description: Double powerpoint 250V 10A with extra one port USB mech 5V 2.1A Vertical with Matt black cover



DS7162UBM

Standard: AS/NZS 3100
Description: Double powerpoint 250V 10A with extra two ports USB mech 5V 2.1A with Matt black cover



DS716V2UBM

Standard: AS/NZS 3100
Description: Double powerpoint 250V 10A with extra two ports USB mech 5V 2.1A Vertical with Matt black cover

Domestic Wall switch



► Domestic Wall switch



DS601BML

Standard: AS/NZS 3100
AS/NZS 3133
Description: One gang two way switch
250V 16A Matt black
with Aluminum cover



DS601VBML

Standard: AS/NZS 3100
AS/NZS 3133
Description: One gang two way switch
250V 16A Vertical Matt black
with Aluminum cover



DS603BML

Standard: AS/NZS 3100
AS/NZS 3133
Description: Two gang two way switch
250V 16A Matt black
with Aluminum cover



DS603VBML

Standard: AS/NZS 3100
AS/NZS 3133
Description: Two gang two way switch
250V 16A Vertical Matt black
with Aluminum cover



DS605BML

Standard: AS/NZS 3100
AS/NZS 3133
Description: Three gang two way switch
250V 16A Matt black
with Aluminum cover



DS605VBML

Standard: AS/NZS 3100
AS/NZS 3133
Description: Three gang two way switch
250V 16A Vertical Matt black
with Aluminum cover



DS607BML

Standard: AS/NZS 3100
AS/NZS 3133
Description: Four gang two way switch
250V 16A Matt black
with Aluminum cover



DS607VBML

Standard: AS/NZS 3100
AS/NZS 3133
Description: Four gang two way switch
250V 16A Vertical Matt black
with Aluminum cover



DS609BML

Standard: AS/NZS 3100
AS/NZS 3133
Description: Five gang two way switch
250V 16A Matt black
with Aluminum cover



DS609VBML

Standard: AS/NZS 3100
AS/NZS 3133
Description: Five gang two way switch
250V 16A Vertical Matt black
with Aluminum cover



DS611BML

Standard: AS/NZS 3100
AS/NZS 3133
Description: Six gang two way switch
250V 16A Matt black
with Aluminum cover



DS611VBML

Standard: AS/NZS 3100
AS/NZS 3133
Description: Six gang two way switch
250V 16A Vertical Matt black
with Aluminum cover

Domestic Powerpoints



► Domestic Powerpoints



DS613BML

Standard: AS/NZS 3100
Description: AS/NZS 3133 Single powerpoint 250V 10A Matt black with Aluminum cover



DS613VBML

Standard: AS/NZS 3100
Description: AS/NZS 3133 Single powerpoint 250V 10A Vertical Matt black with Aluminum cover



DS613BML-15

Standard: AS/NZS 3100
Description: AS/NZS 3133 Single powerpoint 250V 15A Matt black with Aluminum cover



DS613VBML-15

Standard: AS/NZS 3100
Description: AS/NZS 3133 Single powerpoint 250V 15A Vertical Matt black with Aluminum cover



DS715BML

Standard: AS/NZS 3100
Description: AS/NZS 3133 Double powerpoint 250V 10A Matt black with Aluminum cover



DS715VBML

Standard: AS/NZS 3100
Description: AS/NZS 3133 Double powerpoint 250V 10A Vertical Matt black with Aluminum cover



DS716BML

Standard: AS/NZS 3100
Description: AS/NZS 3133 Double powerpoint 250V 10A with extra switch Matt black with Aluminum cover



DS716VBML

Standard: AS/NZS 3100
Description: AS/NZS 3133 Double powerpoint 250V 10A with extra switch Vertical Matt black with Aluminum cover



DS7161UBML

Standard: AS/NZS 3100
Description: AS/NZS 3133 Double powerpoint 250V 10A with extra one port USB mech 5V 2.1A Matt black with Aluminum cover



DS716V1UBML

Standard: AS/NZS 3100
Description: AS/NZS 3133 Double powerpoint 250V 10A with extra one port USB mech 5V 2.1A Vertical Matt black with Aluminum cover



DS7162UBML

Standard: AS/NZS 3100
Description: AS/NZS 3133 Double powerpoint 250V 10A with extra two ports USB mech 5V 2.1A Matt black with Aluminum cover



DS716V2UBML

Standard: AS/NZS 3100
Description: AS/NZS 3133 Double powerpoint 250V 10A with extra two ports USB mech 5V 2.1A Vertical Matt black with Aluminum cover

Slimline Range Wall switch



► Slimline Range Wall switch



DS601S

Standard: AS/NZS 3100 AS/NZS 3133 Description: Slimline One gang two way switch 250V 16A



DS601VS

Standard: AS/NZS 3100 AS/NZS 3133 Description: Slimline One gang two way switch 250V 16A Vertical



DS603S

Standard: AS/NZS 3100 AS/NZS 3133 Description: Slimline Two gang two way switch 250V 16A



DS603VS

Standard: AS/NZS 3100 AS/NZS 3133 Description: Slimline Two gang two way switch 250V 16A Vertical



DS605S

Standard: AS/NZS 3100 AS/NZS 3133 Description: Slimline Three gang two way switch 250V 16A



DS605VS

Standard: AS/NZS 3100 AS/NZS 3133 Description: Slimline Three gang two way switch 250V 16A Vertical



DS607S

Standard: AS/NZS 3100 AS/NZS 3133 Description: Slimline Four gang two way switch 250V 16A



DS607VS

Standard: AS/NZS 3100 AS/NZS 3133 Description: Slimline Four gang two way switch 250V 16A Vertical



DS609S

Standard: AS/NZS 3100 AS/NZS 3133 Description: Slimline Five gang two way switch 250V 16A



DS609VS

Standard: AS/NZS 3100 AS/NZS 3133 Description: Slimline Five gang two way switch 250V 16A Vertical



DS611S

Standard: AS/NZS 3100 AS/NZS 3133 Description: Slimline Six gang two way switch 250V 16A



DS611VS

Standard: AS/NZS 3100 AS/NZS 3133 Description: Slimline Six gang two way switch 250V 16A Vertical

► Slimline Range Powerpoints



DS613S

Standard: AS/NZS 3100
Description: Slimline Single powerpoint
AS/NZS 3133 250V 10A



DS613VS

Standard: AS/NZS 3100
Description: Slimline Single powerpoint
AS/NZS 3133 250V 10A Vertical



DS613S-15

Standard: AS/NZS 3100
Description: Slimline Single powerpoint
AS/NZS 3133 250V 15A



DS613VS-15

Standard: AS/NZS 3100
Description: Slimline Single powerpoint
AS/NZS 3133 250V 15A Vertical



DS615S

Standard: AS/NZS 3100
Description: Slimline Double powerpoint
AS/NZS 3133 250V 10A



DS615VS

Standard: AS/NZS 3100
Description: Slimline Double powerpoint
AS/NZS 3133 250V 10A Vertical



DS616S

Standard: AS/NZS 3100
Description: Slimline Double powerpoint
AS/NZS 3133 250V 10A with extra switch



DS616VS

Standard: AS/NZS 3100
Description: Slimline Double powerpoint
AS/NZS 3133 250V 10A with extra switch Vertical



DS616S1U

Standard: AS/NZS 3100
Description: Slimline Double powerpoint
AS/NZS 3133 250V 10A with extra one port
USB mech 5V 2.1A



DS616VS1U

Standard: AS/NZS 3100
Description: Slimline Double powerpoint
AS/NZS 3133 250V 10A with extra one port
USB mech 5V 2.1A Vertical



DS616S2U

Standard: AS/NZS 3100
Description: Slimline Double powerpoint
AS/NZS 3133 250V 10A with extra two ports
USB mech 5V 2.1A



DS616VS2U

Standard: AS/NZS 3100
Description: Slimline Double powerpoint
AS/NZS 3133 250V 10A with extra two ports
USB mech 5V 2.1A Vertical

► Slimline Range Powerpoints



DSTVCS

Description: Slimline TV outlet coaxial



DSTVFS

Description: Slimline TV outlet standard F type



DSRJ11S

Description: Slimline RJ11 outlet
used for phone



DSRJ45S

Description: Slimline RJ45 outlet CAT6
used for Computer data



Slimline Range Wall switch



► Slimline Range Wall switch



DS601SBLKM

Standard: AS/NZS 3100 AS/NZS 3133
Description: Slimline One gang two way switch 250V 16A Matt black



DS601VSBLKM

Standard: AS/NZS 3100 AS/NZS 3133
Description: Slimline One gang two way switch 250V 16A Vertical Matt black



DS603SBLKM

Standard: AS/NZS 3100 AS/NZS 3133
Description: Slimline Two gang two way switch 250V 16A Matt black



DS603VSBLKM

Standard: AS/NZS 3100 AS/NZS 3133
Description: Slimline Two gang two way switch 250V 16A Vertical Matt black



DS605SBLKM

Standard: AS/NZS 3100 AS/NZS 3133
Description: Slimline Three gang two way switch 250V 16A Matt black



DS605VSBLKM

Standard: AS/NZS 3100 AS/NZS 3133
Description: Slimline Three gang two way switch 250V 16A Vertical Matt black



DS607SBLKM

Standard: AS/NZS 3100 AS/NZS 3133
Description: Slimline Four gang two way switch 250V 16A Matt black



DS607VSBLKM

Standard: AS/NZS 3100 AS/NZS 3133
Description: Slimline Four gang two way switch 250V 16A Vertical Matt black



DS609SBLKM

Standard: AS/NZS 3100 AS/NZS 3133
Description: Slimline Five gang two way switch 250V 16A Matt black



DS609VSBLKM

Standard: AS/NZS 3100 AS/NZS 3133
Description: Slimline Five gang two way switch 250V 16A Vertical Matt black



DS611SBLKM

Standard: AS/NZS 3100 AS/NZS 3133
Description: Slimline Six gang two way switch 250V 16A Matt black



DS611VSBLKM

Standard: AS/NZS 3100 AS/NZS 3133
Description: Slimline Six gang two way switch 250V 16A Vertical Matt black

Slimline Range Powerpoints



► Slimline Range Powerpoints



DS613SBLKM

Standard: Description:
AS/NZS 3100 Slimline Single powerpoint
AS/NZS 3133 250V 10A Matt black



DS613VSBLKM

Standard: Description:
AS/NZS 3100 Slimline Single powerpoint
AS/NZS 3133 250V 10A Vertical Matt black



DS613SBLKM-15

Standard: Description:
AS/NZS 3100 Slimline Single powerpoint
AS/NZS 3133 250V 15A Matt black



DS613VSBLKM-15

Standard: Description:
AS/NZS 3100 Slimline Single powerpoint
AS/NZS 3133 250V 15A Vertical Matt black



DS615SBLKM

Standard: Description:
AS/NZS 3100 Slimline Double powerpoint
AS/NZS 3133 250V 10A Matt black



DS615VSBLKM

Standard: Description:
AS/NZS 3100 Slimline Double powerpoint
AS/NZS 3133 250V 10A Vertical Matt black



DS616SBLKM

Standard: Description:
AS/NZS 3100 Slimline Double powerpoint
AS/NZS 3133 250V 10A with extra switch
Matt black



DS616VSBLKM

Standard: Description:
AS/NZS 3100 Slimline Double powerpoint
AS/NZS 3133 250V 10A with extra switch
Vertical Matt black



DS616S1UBLKM

Standard: Description:
AS/NZS 3100 Slimline Double powerpoint
AS/NZS 3133 250V 10A with extra one port
USB mech 5V 2.1A Matt black



DS616VS1UBLKM

Standard: Description:
AS/NZS 3100 Slimline Double powerpoint
AS/NZS 3133 250V 10A with extra one port
USB mech 5V 2.1A
Vertical Matt black



DS616S2UBLKM

Standard: Description:
AS/NZS 3100 Slimline Double powerpoint
AS/NZS 3133 250V 10A with extra two ports
USB mech 5V 2.1A Matt black



DS616VS2UBLKM

Standard: Description:
AS/NZS 3100 Slimline Double powerpoint
AS/NZS 3133 250V 10A with extra two ports
USB mech 5V 2.1A
Vertical Matt black

Slimline Range Wall switch



► Slimline Range Wall switch



DS601SSAL

Standard: AS/NZS 3100
AS/NZS 3133
Description: Slimline One gang two way switch 250V 16A with Aluminum cover



DS601VSSAL

Standard: AS/NZS 3100
AS/NZS 3133
Description: Slimline One gang two way switch 250V 16A Vertical with Aluminum cover



DS603SSAL

Standard: AS/NZS 3100
AS/NZS 3133
Description: Slimline Two gang two way switch 250V 16A with Aluminum cover



DS603VSSAL

Standard: AS/NZS 3100
AS/NZS 3133
Description: Slimline Two gang two way switch 250V 16A Vertical with Aluminum cover



DS605SSAL

Standard: AS/NZS 3100
AS/NZS 3133
Description: Slimline Three gang two way switch 250V 16A with Aluminum cover



DS605VSSAL

Standard: AS/NZS 3100
AS/NZS 3133
Description: Slimline Three gang two way switch 250V 16A Vertical with Aluminum cover



DS607SSAL

Standard: AS/NZS 3100
AS/NZS 3133
Description: Slimline Four gang two way switch 250V 16A with Aluminum cover



DS607VSSAL

Standard: AS/NZS 3100
AS/NZS 3133
Description: Slimline Four gang two way switch 250V 16A Vertical with Aluminum cover



DS609SSAL

Standard: AS/NZS 3100
AS/NZS 3133
Description: Slimline Five gang two way switch 250V 16A with Aluminum cover



DS609VSSAL

Standard: AS/NZS 3100
AS/NZS 3133
Description: Slimline Five gang two way switch 250V 16A Vertical with Aluminum cover



DS611SSAL

Standard: AS/NZS 3100
AS/NZS 3133
Description: Slimline Six gang two way switch 250V 16A with Aluminum cover



DS611VSSAL

Standard: AS/NZS 3100
AS/NZS 3133
Description: Slimline Six gang two way switch 250V 16A Vertical with Aluminum cover

Slimline Range Powerpoints



► Slimline Range Powerpoints



DS613SSAL

Standard: AS/NZS 3100
Description: AS/NZS 3133 Slimline Single powerpoint 250V 10A with Aluminum cover



DS613VSSAL

Standard: AS/NZS 3100
Description: AS/NZS 3133 Slimline Single powerpoint 250V 10A Vertical with Aluminum cover



DS613SSAL-15

Standard: AS/NZS 3100
Description: AS/NZS 3133 Slimline Single powerpoint 250V 15A with Aluminum cover



DS613VSSAL-15

Standard: AS/NZS 3100
Description: AS/NZS 3133 Slimline Single powerpoint 250V 15A Vertical with Aluminum cover



DS615SSAL

Standard: AS/NZS 3100
Description: AS/NZS 3133 Slimline Double powerpoint 250V 10A with Aluminum cover



DS615VSSAL

Standard: AS/NZS 3100
Description: AS/NZS 3133 Slimline Double powerpoint 250V 10A Vertical with Aluminum cover



DS616SSAL

Standard: AS/NZS 3100
Description: AS/NZS 3133 Slimline Double powerpoint 250V 10A with extra switch with Aluminum cover



DS616VSSAL

Standard: AS/NZS 3100
Description: AS/NZS 3133 Slimline Double powerpoint 250V 10A with extra switch Vertical with Aluminum cover



DS616S1USAL

Standard: AS/NZS 3100
Description: AS/NZS 3133 Slimline Double powerpoint 250V 10A with extra one port USB mech 5V 2.1A with Aluminum cover



DS616VS1USAL

Standard: AS/NZS 3100
Description: AS/NZS 3133 Slimline Double powerpoint 250V 10A with extra one port USB mech 5V 2.1A Vertical with Aluminum cover



DS616S2USAL

Standard: AS/NZS 3100
Description: AS/NZS 3133 Slimline Double powerpoint 250V 10A with extra two ports USB mech 5V 2.1A with Aluminum cover



DS616VS2USAL

Standard: AS/NZS 3100
Description: AS/NZS 3133 Slimline Double powerpoint 250V 10A with extra two ports USB mech 5V 2.1A Vertical with Aluminum cover

Slimline Range Wall switch



► Slimline Range Wall switch



DS601SBM
Standard: AS/NZS 3100
Description: AS/NZS 3133 Slimline One gang two way switch 250V 16A with Matt black cover



DS601VSBM
Standard: AS/NZS 3100
Description: AS/NZS 3133 Slimline One gang two way switch 250V 16A Vertical with Matt black cover



DS603SBM
Standard: AS/NZS 3100
Description: AS/NZS 3133 Slimline Two gang two way switch 250V 16A with Matt black cover



DS603VSBM
Standard: AS/NZS 3100
Description: AS/NZS 3133 Slimline Two gang two way switch 250V 16A Vertical with Matt black cover



DS605SBM
Standard: AS/NZS 3100
Description: AS/NZS 3133 Slimline Three gang two way switch 250V 16A with Matt black cover



DS605VSBM
Standard: AS/NZS 3100
Description: AS/NZS 3133 Slimline Three gang two way switch 250V 16A Vertical with Matt black cover



DS607SBM
Standard: AS/NZS 3100
Description: AS/NZS 3133 Slimline Four gang two way switch 250V 16A with Matt black cover



DS607VSBM
Standard: AS/NZS 3100
Description: AS/NZS 3133 Slimline Four gang two way switch 250V 16A Vertical with Matt black cover



DS609SBM
Standard: AS/NZS 3100
Description: AS/NZS 3133 Slimline Five gang two way switch 250V 16A with Matt black cover



DS609VSBM
Standard: AS/NZS 3100
Description: AS/NZS 3133 Slimline Five gang two way switch 250V 16A Vertical with Matt black cover



DS611SBM
Standard: AS/NZS 3100
Description: AS/NZS 3133 Slimline Six gang two way switch 250V 16A with Matt black cover



DS611VSBM
Standard: AS/NZS 3100
Description: AS/NZS 3133 Slimline Six gang two way switch 250V 16A Vertical with Matt black cover

Slimline Range Powerpoints



► Slimline Range Powerpoints



DS613SBM

Standard: AS/NZS 3100
Description: Slimline Single powerpoint
AS/NZS 3133 250V 10A with Matt black cover



DS613VSBM

Standard: AS/NZS 3100
Description: Slimline Single powerpoint
AS/NZS 3133 250V 10A Vertical with Matt black cover



DS613SBM-15

Standard: AS/NZS 3100
Description: Slimline Single powerpoint
AS/NZS 3133 250V 15A with Matt black cover



DS613VSBM-15

Standard: AS/NZS 3100
Description: Slimline Single powerpoint
AS/NZS 3133 250V 15A Vertical with Matt black cover



DS615SBM

Standard: AS/NZS 3100
Description: Slimline Double powerpoint
AS/NZS 3133 250V 10A with Matt black cover



DS615VSBM

Standard: AS/NZS 3100
Description: Slimline Double powerpoint
AS/NZS 3133 250V 10A Vertical with Matt black cover



DS616SBM

Standard: AS/NZS 3100
Description: Slimline Double powerpoint
AS/NZS 3133 250V 10A with extra switch with Matt black cover



DS616VSBM

Standard: AS/NZS 3100
Description: Slimline Double powerpoint
AS/NZS 3133 250V 10A with extra switch Vertical with Matt black cover



DS616S1UBM

Standard: AS/NZS 3100
Description: Slimline Double powerpoint
AS/NZS 3133 250V 10A with extra one port USB mech 5V 2.1A with Matt black cover



DS616VS1UBM

Standard: AS/NZS 3100
Description: Slimline Double powerpoint
AS/NZS 3133 250V 10A with extra one port USB mech 5V 2.1A Vertical with Matt black cover



DS616S2UBM

Standard: AS/NZS 3100
Description: Slimline Double powerpoint
AS/NZS 3133 250V 10A with extra two ports USB mech 5V 2.1A with Matt black cover



DS616VS2UBM

Standard: AS/NZS 3100
Description: Slimline Double powerpoint
AS/NZS 3133 250V 10A with extra two ports USB mech 5V 2.1A Vertical with Matt black cover

Slimline Range Wall switch

► Slimline Range Wall switch



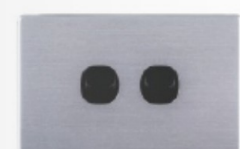
DS601SBML

Standard: AS/NZS 3100
Description: AS/NZS 3133 Slimline One gang two way switch 250V 16A Matt black with Aluminum cover



DS601VSBML

Standard: AS/NZS 3100
Description: AS/NZS 3133 Slimline One gang two way switch 250V 16A Vertical Matt black with Aluminum cover



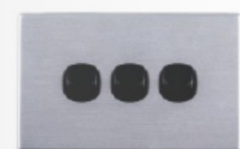
DS603SBML

Standard: AS/NZS 3100
Description: AS/NZS 3133 Slimline Two gang two way switch 250V 16A Matt black with Aluminum cover



DS603VSBML

Standard: AS/NZS 3100
Description: AS/NZS 3133 Slimline Two gang two way switch 250V 16A Vertical Matt black with Aluminum cover



DS605SBML

Standard: AS/NZS 3100
Description: AS/NZS 3133 Slimline Three gang two way switch 250V 16A Matt black with Aluminum cover



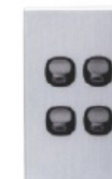
DS605VSBML

Standard: AS/NZS 3100
Description: AS/NZS 3133 Slimline Three gang two way switch 250V 16A Vertical Matt black with Aluminum cover



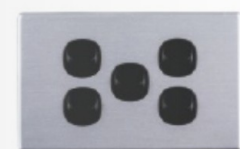
DS607SBML

Standard: AS/NZS 3100
Description: AS/NZS 3133 Slimline Four gang two way switch 250V 16A Matt black with Aluminum cover



DS607VSBML

Standard: AS/NZS 3100
Description: AS/NZS 3133 Slimline Four gang two way switch 250V 16A Vertical Matt black with Aluminum cover



DS609SBML

Standard: AS/NZS 3100
Description: AS/NZS 3133 Slimline Five gang two way switch 250V 16A Matt black with Aluminum cover



DS609VSBML

Standard: AS/NZS 3100
Description: AS/NZS 3133 Slimline Five gang two way switch 250V 16A Vertical Matt black with Aluminum cover



DS611SBML

Standard: AS/NZS 3100
Description: AS/NZS 3133 Slimline Six gang two way switch 250V 16A Matt black with Aluminum cover



DS611VSBML

Standard: AS/NZS 3100
Description: AS/NZS 3133 Slimline Six gang two way switch 250V 16A Vertical Matt black with Aluminum cover

Slimline Range Powerpoints



► Slimline Range Powerpoints



DS613SBML

Standard: AS/NZS 3100
Description: AS/NZS 3133 Slimline Single powerpoint 250V 10A Matt black with Aluminum cover



DS613VSBML

Standard: AS/NZS 3100
Description: AS/NZS 3133 Slimline Single powerpoint 250V 10A Vertical Matt black with Aluminum cover



DS613SBML-15

Standard: AS/NZS 3100
Description: AS/NZS 3133 Slimline Single powerpoint 250V 15A Matt black with Aluminum cover



DS613VSBML-15

Standard: AS/NZS 3100
Description: AS/NZS 3133 Slimline Single powerpoint 250V 15A Vertical Matt black with Aluminum cover



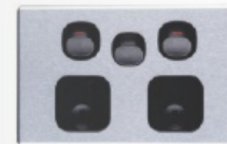
DS615SBML

Standard: AS/NZS 3100
Description: AS/NZS 3133 Slimline Double powerpoint 250V 10A Matt black with Aluminum cover



DS615VSBML

Standard: AS/NZS 3100
Description: AS/NZS 3133 Slimline Double powerpoint 250V 10A Vertical Matt black with Aluminum cover



DS616SBML

Standard: AS/NZS 3100
Description: AS/NZS 3133 Slimline Double powerpoint 250V 10A with extra switch Matt black with Aluminum cover



DS616VSBML

Standard: AS/NZS 3100
Description: AS/NZS 3133 Slimline Double powerpoint 250V 10A with extra switch Vertical Matt black with Aluminum cover



DS616S1UBML

Standard: AS/NZS 3100
Description: AS/NZS 3133 Slimline Double powerpoint 250V 10A with extra one port USB mech 5V 2.1A Matt black with Aluminum cover



DS616VS1UBML

Standard: AS/NZS 3100
Description: AS/NZS 3133 Slimline Double powerpoint 250V 10A with extra one port USB mech 5V 2.1A Vertical Matt black with Aluminum cover



DS616S2UBML

Standard: AS/NZS 3100
Description: AS/NZS 3133 Slimline Double powerpoint 250V 10A with extra two ports USB mech 5V 2.1A Matt black with Aluminum cover



DS616VS2UBML

Standard: AS/NZS 3100
Description: AS/NZS 3133 Slimline Double powerpoint 250V 10A with extra two ports USB mech 5V 2.1A Vertical Matt black with Aluminum cover

► Switch Mechanisms



DSMRD350

Description: Led dimmer module
Rotary type (Trailing edge) 350VA



DSMPD350

Description: Led dimmer module
Push button type (Trailing edge) 350VA



DSMPD300U

Description: Led dimmer module
Push button type (Universal) Multiway 300VA



DSM1U

Description: One port USB mech
5V 2.1A~ 2.4A



DSM2U

Description: Two ports USB mech
5V 2.1A~ 2.4A



DSM1UBLKM

Description: One port USB mech
5V 2.1A~ 2.4A Matt Black



DSM2UBLKM

Description: Two ports USB mech
5V 2.1A~ 2.4A Matt Black



DSMTVC

Description: TV Mechanism Coaxial



DSMTVF

Description: TVF Mechanism F type



DSMRJ11

Description: TEL Mechanism RJ11

► Switch Mechanisms



DSMRJ45

Description: Computer Mechanism
RJ45 CAT6



DSMRJ11NZ

Description: TEL Mechanism RJ11 NZ



DSMHDMI

Description: HDMI Mechanism



DSMSPBK

Description: Speaker Mechanism
Gold plated 12AWG OR 4MM BLACK



DSMSPRD

Description: Speaker Mechanism
Gold plated 12AWG OR 4MM RED



DSMPCU

Description: PCU Mech



DSMPRESS

Description: Press Mechanism One Way



DSMINT

Description: INT Mechanism



DSM16

Description: Switch Mechanism
16A Two way



DSM16-P01

Description: 16A Mechanism
PRINTED- D/WASH



DSM16-P02

Description: 16A Mechanism
PRINTED-FAN



DSM16-P03

Description: 16A Mechanism
PRINTED-HEAT

► Switch Mechanisms



DSM16-P04

Description: 16A Mechanism
PRINTED-LIGHT



DSM16-P05

Description: 16A Mechanism
PRINTED-M/WAVE



DSM16-P06

Description: 16A Mechanism
PRINTED-WASTE



DSM35

Description: Switch Mechanism
35A Double pole



DSM35-P01

Description: 35A Mechanism
PRINTED- OVEN



DSM35-P02

Description: 35A Mechanism
PRINTED-STOVE



DSM35-P03

Description: 35A Mechanism
PRINTED-HOB



DSM35-P04

Description: 35A Mechanism
PRINTED-HWC



► Electrical Accessories



MBS

Description: Mounting Block 18mm



MBL

Description: Mounting Block 34mm



MBL-S

Description: Recess Mounting Block
34mm for slimline range



FBN

Description: Recess mounting box
NZ market



FBA

Description: Recess mounting box



JBS

Description: small junction box
with connectors



JBL

Description: big Junction box
with connectors



LH1

Description: Batten holder B22



LH2

Description: Batten holder
with plug B22

► Electrical Accessories



LHE27

Description: Australia standard batten holder E27 heat resistant



QC10

Description: Quick connector socket 250V 10A



SS110N

Description: Single Surface socket 250V 10A



SS115N

Description: Single Surface socket 250V 15A



CJ001

Description: Cable joiner one screw Bottle packed 100units/Bottle



CJ002

Description: Cable joiner TWO screw bottle packed 50units/bottle



HWRP10CL

Description: Rewireable plug 240V 10A Clear



HWRP15CL

Description: Rewireable plug 240V 15A Clear



HWRP10CL

Description: Rewireable Socket 240V 10A Clear



HWRP15CL

Description: Rewireable socket 240V 15A Clear



HWRP32W

Description: Side entry plug 250V 32A for Oven



HWRP32WL

Description: Side entry plug 250V 32A with 1.5M 3*6mm² cable for Oven

► Metal Brackets & Saddles



VHB

Description: Horizontal Mounting Stud Bracket 1.0mm



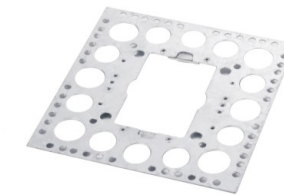
UB01

Description: C-TYPE WALLBOARD CLIP



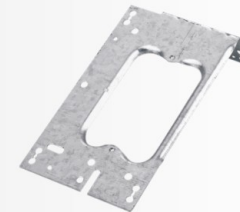
VMB12

Description: Bracket Vertical Mounting with Nails



PB10

Description: Plaster bracket 1.0mm



HB01

Description: Horizontal Mounting Bracket 1.0mm



HB02

Description: Horizontal Mounting Bracket 1.0mm



WB001

Description: Metal wall box Flush with Black fireproof pad & foam pad



HB03

Description: Electrical bracket horizontal mounting with nails 1.0mm



HB04

Description: Electrical bracket vert & horz mounting with nails 1.0mm



HB05

Description: Electrical bracket horizontal mounting with nails 1.0mm



CODE	Description
HS16	Half Saddle galvanized 16mm
HS20	Half Saddle galvanized 20mm
HS25	Half Saddle galvanized 25mm
HS32	Half Saddle galvanized 32mm
HS40	Half Saddle galvanized 40mm
HS50	Half Saddle galvanized 50mm



CODE	Description
FS16	Full Saddle galvanized 16mm
FS20	Full Saddle galvanized 20mm
FS25	Full Saddle galvanized 25mm
FS32	Full Saddle galvanized 32mm
FS40	Full Saddle galvanized 40mm
FS50	Full Saddle galvanized 50mm

► W/P range switch



WS1-16

Description: IP66 One gang waterproof switch 250V 16A Single pole 2way



WS1-20

Description: IP66 One gang waterproof switch 250V 20A Single pole 2way



WS1-20D

Description: IP66 One gang waterproof switch 250V 20A Double pole



WS2-16

Description: IP66 Two gang waterproof switch 250V 16A Single pole 2way



WS2-20

Description: IP66 Two gang waterproof switch 250V 20A Single pole 2way



WS2-20D

Description: IP66 Two gang waterproof switch 250V 20A Double pole

► W/P range GPO



WGPO1

Description: Weatherproof Single GPO IP53 250V 10A



WGPO1-15

Description: Weatherproof Single GPO IP53 250V 15A



WGPO1S/WGPO1S-15

Description: Weatherproof Single GPO IP53 250V 10A/15A Shallow



WGPO2

Description: Weatherproof Double GPO IP53 250V 10A



WGPO2-15

Description: Weatherproof Double GPO IP53 250V 15A



WGPO2S/WGPO2S-15

Description: Weatherproof Double GPO IP53 250V 10A/15A Shallow

► MINI Weatherproof switch



Item Code	Description
ISLM110-B	Mini Square Weatherproof switch single pole 250V 10A IP66
ISLM116-B	Mini Square Weatherproof switch single pole 250V 16A IP66
ISLM120-B	Mini Square Weatherproof switch single pole 250V 20A IP66
ISLM135-B	Mini Square Weatherproof switch single pole 250V 35A IP66
ISLM210-B	Mini Square Weatherproof switch double pole 250V 10A IP66
ISLM216-B	Mini Square Weatherproof switch double pole 250V 16A IP66
ISLM220-B	Mini Square Weatherproof switch double pole 250V 20A IP66
ISLM235-B	Mini Square Weatherproof switch double pole 250V 35A IP66

► Isolating switch



Item Code	Description
ISL120-FX	Weatherproof Isolator Single pole 250V 20A IP66
ISL135-FX	Weatherproof Isolator single pole 250V 35A IP66
ISL163-FX	Weatherproof Isolator single pole 250V 63A IP66
ISL220-FX	Weatherproof Isolator Double pole 250V 20A IP66
ISL235-FX	Weatherproof Isolator Double pole 250V 35A IP66
ISL263-FX	Weatherproof Isolator Double pole 250V 63A IP66
ISL320-FX	Weatherproof Isolator Triple pole 440V 20A IP66
ISL335-FX	Weatherproof Isolator Triple pole 440V 35A IP66
ISL363-FX	Weatherproof Isolator Triple pole 440V 63A IP66
ISL420-FX	Weatherproof Isolator Four pole 440V 20A IP66
ISL435-FX	Weatherproof Isolator Four pole 440V 35A IP66
ISL463-FX	Weatherproof Isolator Four pole 440V 63A IP66

► IP66 Industrial plug



Item No	Volts	Amp	Pin NO.	IP Rating	Remark
C66P310	250V	10A	3	IP66	Straight
C66P315	250V	15A	3	IP66	Straight
C66P320	250V	20A	3	IP66	Straight
C66P332	250V	32A	3	IP66	Straight
C66P410	500V	10A	4	IP66	Straight
C66P420	500V	20A	4	IP66	Straight
C66P432	500V	32A	4	IP66	Straight
C66P440	500V	40A	4	IP66	Straight
C66P450	500V	50A	4	IP66	Straight
C66P510	500V	10A	5	IP66	Straight
C66P520	500V	20A	5	IP66	Straight
C66P532	500V	32A	5	IP66	Straight
C66P540	500V	40A	5	IP66	Straight
C66P550	500V	50A	5	IP66	Straight
C66PA410	500V	10A	4	IP66	Angle
C66PA420	500V	20A	4	IP66	Angle
C66PA432	500V	32A	4	IP66	Angle
C66PA440	500V	40A	4	IP66	Angle
C66PA450	500V	50A	4	IP66	Angle
C66PA510	500V	10A	5	IP66	Angle
C66PA520	500V	20A	5	IP66	Angle
C66PA532	500V	32A	5	IP66	Angle
C66PA540	500V	40A	5	IP66	Angle
C66PA550	500V	50A	5	IP66	Angle

► IP66 Industrial Extension Socket



Item No	Volts	Amp	Pin NO.	IP Rating	Remark
C66CSC310	250V	10A	3	IP66	Straight
C66CSC315	250V	15A	3	IP66	Straight
C66CSC320	250V	20A	3	IP66	Straight
C66CSC332	250V	32A	3	IP66	Straight
C66CSC410	500V	10A	4	IP66	Straight
C66CSC420	500V	20A	4	IP66	Straight
C66CSC432	500V	32A	4	IP66	Straight
C66CSC440	500V	40A	4	IP66	Straight
C66CSC450	500V	50A	4	IP66	Straight
C66CSC510	500V	10A	5	IP66	Straight
C66CSC520	500V	20A	5	IP66	Straight
C66CSC532	500V	32A	5	IP66	Straight
C66CSC540	500V	40A	5	IP66	Straight
C66CSC550	500V	50A	5	IP66	Straight
C66ACSC320	250V	20A	3	IP66	Angle
C66ACSC332	250V	32A	3	IP66	Angle
C66ASC410	500V	10A	4	IP66	Angle
C66ASC420	500V	20A	4	IP66	Angle
C66ASC432	500V	32A	4	IP66	Angle
C66ASC440	500V	40A	4	IP66	Angle
C66ASC450	500V	50A	4	IP66	Angle
C66ASC510	500V	10A	5	IP66	Angle
C66ASC520	500V	20A	5	IP66	Angle
C66ASC532	500V	32A	5	IP66	Angle
C66ASC540	500V	40A	5	IP66	Angle
C66ASC550	500V	50A	5	IP66	Angle

► IP66 Industrial Surface Rotary switch



Item Code	Type	Volts	Amp	IP Rating
C66SW110	1Pole	250 V	10A	IP66
C66SW116	1Pole	250 V	16A	IP66
C66SW120	1Pole	250 V	20A	IP66
C66SW132	1Pole	250 V	32A	IP66
C66SW210	2Pole	500 V	10A	IP66
C66SW216	2Pole	500 V	16A	IP66
C66SW220	2Pole	500 V	20A	IP66
C66SW232	2Pole	500 V	32A	IP66
C66SW240	2Pole	500 V	40A	IP66
C66SW250	2Pole	500 V	50A	IP66
C66SW310	3Pole	500 V	10A	IP66
C66SW316	3Pole	500 V	16A	IP66
C66SW320	3Pole	500 V	20A	IP66
C66SW332	3Pole	500 V	32A	IP66
C66SW340	3Pole	500 V	40A	IP66
C66SW350	3Pole	500 V	50A	IP66

► IP66 Industrial Socket outlet



Item No	Volts	Amp	Pin NO.	IP Rating
C66SO310	250V	10A	3	IP66
C66SO315	250V	15A	3	IP66
C66SO320	250V	20A	3	IP66
C66SO320F	250V	20A	3	IP66
C66SO332	250V	32A	3	IP66
C66SO410	500V	10A	4	IP66
C66SO420	500V	20A	4	IP66
C66SO432	500V	32A	4	IP66
C66SO440	500V	40A	4	IP66
C66SO450	500V	50A	4	IP66
C66SO510	500V	10A	5	IP66
C66SO520	500V	20A	5	IP66
C66SO532	500V	32A	5	IP66
C66SO540	500V	40A	5	IP66
C66SO550	500V	50A	5	IP66

► IP66 Industrial Combination Switch Socket



Item No	Volts	Amp	Pin NO.	IP Rating
C66CV310	250V	10A	3	IP66
C66CV315	250V	15A	3	IP66
C66CV320	250V	20A	3	IP66
C66CV332	250V	32A	3	IP66
C66CV410	500V	10A	4	IP66
C66CV420	500V	20A	4	IP66
C66CV432	500V	32A	4	IP66
C66CV440	500V	40A	4	IP66
C66CV450	500V	50A	4	IP66
C66CV510	500V	10A	5	IP66
C66CV520	500V	20A	5	IP66
C66CV532	500V	32A	5	IP66
C66CV540	500V	40A	5	IP66
C66CV550	500V	50A	5	IP66

► Mounting Enclosure



Item Code	Description
C66MEB1	1Module mounting base
C66MEB2	2Module mounting base
C66MEB3	3Module mounting base
C66MEB4	4Module mounting base
C66MEB6	6Module mounting base
C66MESB1	1gang mounting base shallow
C66MESB2	2gang mounting base shallow

► Weatherproof Distribution Enclosure Four Pole



Item Code	Description
C66CEB4-GR	Four gang enclosure with neon light Grey cover
C66CEB4	Four gang enclosure with neon light Clear cover

► RCD Protected Outlets



RCD Protected Outlets are safety modules that can prevent electrocution in industrial environments. The primary function of the RCD is to continually monitor the current flow in an electrical installation and in case if an emergency disconnect the power. These Outlets are an essential part of any industrial environment

RCD Protected Outlets with switch

Item Code	Volts	Amp	Pin No.	Socket Conf.
C66SC310RC	250V	10A	3	
C66SC315RC	250V	15A	3	
C66SC410RC	500V	10A	4	
C66SC420RC	500V	20A	4	
C66SC432RC	500V	32A	4	
C66SC440RC	500V	40A	4	
C66SC450RC	500V	50A	4	
C66SC510RC	500V	10A	5	
C66SC520RC	500V	20A	5	
C66SC532RC	500V	32A	5	
C66SC540RC	500V	40A	5	
C66SC550RC	500V	50A	5	

RCD Protected Outlets

Item Code	Volts	Amp	Pin No.	Socket Conf.
C66C310RC	250V	10A	3	
C66C315RC	250V	15A	3	
C66C410RC	500V	10A	4	
C66C420RC	500V	20A	4	
C66C432RC	500V	32A	4	
C66C440RC	500V	40A	4	
C66C450RC	500V	50A	4	
C66C510RC	500V	10A	5	
C66C520RC	500V	20A	5	
C66C532RC	500V	32A	5	
C66C540RC	500V	40A	5	
C66C550RC	500V	50A	5	