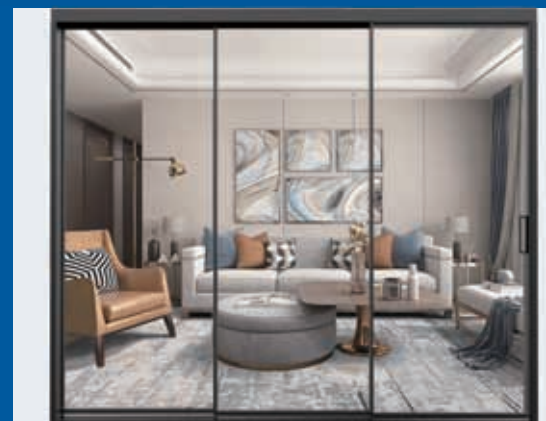


For Better Living

Aluminum Door&Window Hardware Catalogue for Home Decoration



Aluminum Door&Window Hardware
Catalogue for Home Decoration



STOCK CODE: 002791

TO IMPROVE THE HUMAN BEING'S LIVING CONDITIONS AND MAKE KINLONG THE SYNONYM FOR HIGH-QUALITY.

More than **700,000** m² production area.

More than **50** subsidiaries.

More than **600** sales offices both in domestic and overseas .

More than **14,000** employees.

ESTABLISHING BENCHMARK AND PURSUING EXCELLENCE

Kinlong was established in the year 2003 and is a professional company engaged in R&D, manufacturing, and committed to provide high-quality products and services. After the years of development, Kinlong has become a famous brand in construction field.

Kinlong industrial park has covered more than 700,000 square meters and has an employment of more than 14000 staff and more than 50 subsidiaries. More than 600 sales offices both in domestic and overseas . Products are sold and served in more than 100 countries.

Kinlong focuses on development, integrated solution supply for building materials and meets needs of customers and formed one-stop service system. Kinlong embraces the philosophy of "Unique value is created by professionalism, but no future shall be created by speculation". This has made Kinlong standing on the leading position in construction hardware market.

Kinlong adopts advanced production technology and collaborates with many experts and designers to accelerate its product development and innovation. This guarantees the products are on the cutting edge in the construction industry. The company has more than 20,000 categories of products, holding over 1000 patents in China and oversea countries. Products with advanced engineering, elegant aesthetic designs and excellent quality do gain customers' trust and support. Kinlong has honorably contributed its excellence in the construction of many famous buildings and benchmark projects. These achievements bring encouragement and pride to everyone in Kinlong .

To every designer, engineer and company committed in construction industry, Kinlong is always the most trustworthy and reliable partner.

Social Responsibility



For more than ten years, Kinlong has not forgotten to give back to the society while developing itself. By the end of 2021, more than 70 kinlong social charity schools have been donated and built in remote and backward areas.



INNOVATION AND ENTERPRISING INDUSTRY BENCHMARK

KEEPS MAKING
PROGRESS BY INNOVATION, BY
WHICH WE HAVE OBTAINED
RECOGNITION AND HIGH PRAISE
FROM STATE
DEPARTMENTS, GOVERNMENT
UNITS AND SECTORS .



ENTERPRISE REPRESENTATIVE HONOR

- Second Prize in National Science and Technology Progress Award
- First Prize in Huaxia Construction Science and Technology Award
- Second Prize in Huaxia Construction Science and Technology Award
- Special Prize in China Steel Structure Association Science and Technology Award
- First Prize in China Steel Structure Association Science and Technology Award
- Innovation Award in China Steel Structure Association Science and Technology Award
- The most influential brand of Jinxuan Award in the construction door, window and curtain wall industry for four consecutive sessions;
- 2021 TOP500 Preferred Supplier of Comprehensive Strength of Chinese Real Estate Development Enterprises-Smart Community Service Category

National High-Tech Enterprise
.....

REPRESENTATIVE R&D INNOVATION HONOR

- National Intellectual Property Demonstration Enterprise
- Laboratory center approved by the National Accreditation Board
- Guangdong Provincial Enterprise Technology Center and Provincial Engineering Center
-

Kinlong adheres to the philosophy that Unique value can only be created by professionalism, speculation has no future. Our enterprise core value is to respect Respecting science; Striving for coexistence and all-win; Promoting constant innovation; Pursuing sincerity and trustworthiness. and we always insist making innovation, breaking through and making progress, increasing our capacity of research, by which we have obtained recognition and praise from government departments, units and all areas in the society and get many achievements. We pay great attention to the needs from our customers and the prospect of our industry, consistently pursuing perfect, good quality, excellent service and systematic solutions. Our quick and accurate ability of handing over are always leading the market.

IS LEADING THE
MARKET BY GOOD QUALITY,
EXCELLENT SERVICE,
SYSTEMATIC SOLUTIONS AND
QUICK AND ACCURATE ABILITY
TO DELIVER THE GOODS.



To Form a Full-chain Comprehensive Advantage



Quality Comes from Profession



Management system certified by ISO 9001, ISO14001 of BSI. Test Laboratory accredited by the China National Accreditation Service of Conformity Assessment (CNAS).

International Supply Chain to Guarantee Better and Better Service



Kinlong utilizes more than 600 sales-services at home and abroad, with a sales team of more than 6,000 people to provide customers with rapid response. With 31 offices, 9 subsidiaries, 13 warehouses overseas market, and more will come.

1000 patents, among them

100 of invention patents.

Participate **200** industrial standards compile.

500 registered trade mark

Brief introduction of door & window for home decoration products

 home decoration focuses on the R&D and manufacturing of the products and solutions of high-end quality aluminum door & window. Home decoration products are mainly applicable for the high-end aluminum door & window system in the early stage of residential construction and upgrading in the mid to late. The design of home decoration products always focuses on the detail, simple appearance, fast installation and easy maintenance, so as to ensure good customer experience. For the upgrading and innovation of new door & window system, we combine the design style with fine decoration of modern family in line with market trend. Kinds of surface treatment with high performance baking, pure aluminum forging with treatment of anodizing or sanding, which is beautiful appearance, excellent corrosion resistance and wear resistance; high performance anti-theft design to be security of your home.



Maintenance

1. The operated hardware such as handle, hinge and pulley should be decontaminated and dusted frequently as regularly maintained. It is strictly forbidden to clean the products with corrosive chemicals.
2. The friction parts should be regularly and properly filled with lubricating oil and keep clean, lubricated and smooth. If the screw is loose, please tighten or replace it in time.
3. Before the installation on site, please clean the profile to prevent foreign matters from affecting the normal operation.
4. Leaf drop or gap increase may happen due to the fabrication precision or long time use, adjustment can be applied to improve.

Attentions:

1. The sales area should fully understand the project information before order, please communicate with production department while the use environment is high salinity, corrosion, high temperature and humidity.
2. The technical parameters and photos in the catalogue are for reference only, no responsibility to application beyond use restriction or mix use with other brand.
3. No further notice for the modification during the innovation of product technology.
4. To ensure customer satisfaction, reduce after-sales problems. If the product is not a complete set, when using a single product, please communicate with the technical staff to ensure the safety of the product in use and understand the relevant complete configuration.
5. The bearing capacity of hardware is related to the size of door & window. Please contact the relevant technicians when it is customized size.
6. The applied window type recommended in catalogue is based on laboratory environmental test and historical experience. Please test installation and confirm according to the real conditions. The parameter in the catalogue is not the basis for any litigation and compensation.
7. The product shall not be outdoor stored before installation to avoid exposure to the sun and rain.

Available color of decoration baking



Available color of anodizing





Focus on high-quality home decoration door and window hardware R&D and innovation, Dedicated to perfect design.



High quality and service

CATALOGUE

System series

Turn&tilt Window System
001-011

Screen Window System
012-020

Casement Window System
021-024

Sliding Window System
025-026

Door&window Integrated System
027-030

Casement Door System
031-032

Bathroom Door System
033-034

Hanging Sliding Door System
035-038

Sliding Door System
039-044

Sliding&folding Door System
045-046

Lifting&sliding Door System
047-050

Hardware Series

Window Handle Series
051-076

Hook Lock Series
124-127

Door Handle Series
077-088

Cover Plate Series
128-129

Sliding Handle Series
089-092

Transmission Rod Series
130-137

Sliding Lock Series
093-099

Lock Plate Series
138-141

Hinge Series
100-115

Other Series
142-145

Micro Ventilation Series
116

Roller Series
146-153

Transmitter Series
117-123



Z-NPDD210 Series

TURN AND TILT WINDOW SYSTEM

TURN AND TILT WINDOW SYSTEM

Concealed Turn&tilt Window

ACCESSORIES LIST

Item	Product Name	Code	QTY	Remark
1	Handle	ZCH12	1	P52, Optional, Oxidation
2	Transmitter	ZCDQ121	1	P118, Silver/Black, Optional
3	Concealed Right-upper Hinge	ZCHY845-R	1	P107, Difference Left And Right
4	Concealed Right-bottom Hinge	ZCHY846-R	1	P107, Difference Left And Right
5	Anti mis-operation device	ZZJQ21	1	
6	Latch	ZCXA21	1	
7	Lock plate	ZSKA14	1	P138
8	Anti drop piece	ZFTK21	1	
9	Support block	ZZCK10A	1	
10	Support block B	ZZCK12	1	
11	Waterproof cover	ZFSG20	2	
12	Limiter	ZXWQ10A-10"	1	P144, Specification depends on window type, Optional

Non-base Handle Solution

OPTIONAL TABLE

Item	Product Name	Code	QTY	Remark
13	Non-base Handle	ZCZS8710	1	P58, Optional, Baking finish
14	Transmitter	ZCDQ122	1	P118
15	Support block	ZZCK14	1	P142, Nylon material, Optional ZZCK15

RECOMMENDED HANDLE



ZCS11

ZCZS8114

ZCZS8710

CONFIGURATION

1. It can be used for windows with width of 470-750mm and height of 880-1800mm.
2. Loading capacity is 90kg, and it's recommended to keep window size ratio (height/width) at 1.5:1.
3. Please maintain the hardware regularly.
4. Handle ZCZS8710 need match with transmitter which backset above 15mm.



TURN AND TILT WINDOW SYSTEM

K-groove Concealed Turn&tilt Window

ACCESSORIES LIST

Item	Product Name	Code	QTY	Remark
1	Square steel handle	ZCH12	1	P52, Optional, Oxidation
2	Transmitter	ZCDQ121	1	P118, Silver/Black, Backset is optional
3	Concealed Right-upper Hinge	ZCHY845K-R	1	P107, Difference Left And Right
4	Concealed Right-bottom Hinge	ZCHY846K-R	1	P107, Difference Left And Right
5	Anti mis-operation corner device	ZZJQ21	1	
6	Latch	ZCXA21	1	
7	Lock plate	ZSKA16	1	P139
8	Anti drop piece	ZFTK21K	1	
9	Support block	ZZCK15K	1	P142
10	Support block B	ZZCK12	1	
11	Waterproof cover	ZFSG20	2	

Fork Handle Solution

OPTIONAL TABLE

Item	Product Name	Code	QTY	Remark
12	Fork handle	ZCH15	1	P64, Optional, Oxidation
13	Main transmission rod	ZCDG617	1	P130

RECOMMENDED HANDLE



CONFIGURATION

1. It can be used for windows with width of 470-750mm and height of 880-1800mm.
2. Loading capacity is 90kg, and it's recommended to keep window size ratio (height/width) at 1.5:1.
3. Please maintain the hardware regularly.
4. Handle ZCZS8710 need match with transmitter which backset above 15mm.



TURN AND TILT WINDOW SYSTEM

Turn&tilt Window

ACCESSORIES LIST

Item	Product Name	Code	QTY	Remark
1	Fork handle	ZCZS2621	1	P70, Optional, Baking finish
2	Main transmission rod	ZCDG611A	1	
3	Anti mis-operation device	ZFWQ20B	1	
4	Pull rod	ZXLG20A	1	
5	Upper pivot hinge	ZCHY181-R	1	P101, Baking finish Difference Left And Right
6	Bottom pivot hinge	ZCHY182-R	1	P101, Baking finish Difference Left And Right
7	Corner device	ZZJQ20A	1	
8	Latch	ZCXA20A	1	
9	Lock plate	ZSKA14	2	P138
10	Anti drop piece	ZFTK20A	1	
11	Support block	ZZCK10A	1	
12	Support block B	ZZCK12	1	
13	Waterproof cover	ZFSG20	2	
14	Limiter	ZXWQ10A-10"	1	P144, Specification depends on window type, Optional

Square Steel handle Solution

OPTIONAL TABLE

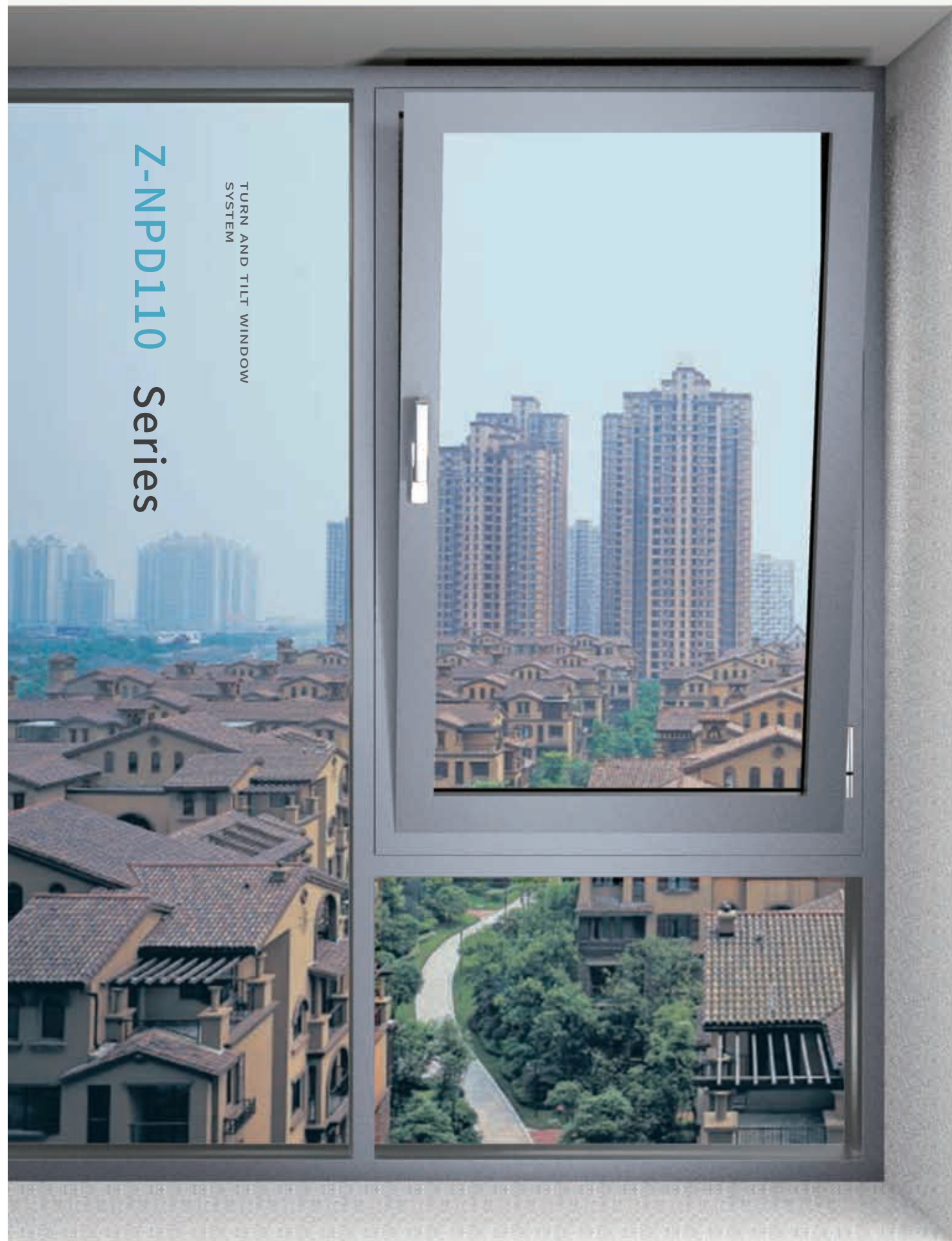
Item	Product Name	Code	QTY	Remark
15	Square steel handle	ZCZS8116	1	P57, Optional, Baking finish
16	Anti mis-operation operation	ZCDQ120	1	P121

RECOMMENDED HANDLE



CONFIGURATION

1. It can be used for windows with width of 450-750mm and height of 600-1800mm.
2. Loading capacity is 90kg, and it's recommended to keep window size ratio (height/width) at 1.5:1.
3. Please maintain the hardware regularly.



Turn&tilt Window

ACCESSORIES LIST

Item	Product Name	Code	QTY	Remark
1	Fork handle	ZCZS2621	1	P70, Optional, Baking finish
2	Main transmission rod	ZCDG617	1	P130
3	Pull rod	ZXLG22	1	
4	Upper pivot hinge	ZCHY183-R	1	P102, Baking finish Difference Left And Right
5	Bottom pivot hinge	ZCHY184-R	1	P102, Baking finish Difference Left And Right
6	Anti mis-operation corner device	ZZJQ21	1	
7	Latch	ZCXA21	1	
8	Lock plate	ZSKA14	1	P138
9	Anti drop piece	ZFTK21	1	
10	Support block	ZZCK10A	1	P142
11	Support block B	ZZCK12	1	
12	Waterproof cover	ZFSG20	2	
13	Limiter	ZXWQ10A-10"	1	P144, Specification depends on window type, Optional

Square Steel handle Solution

OPTIONAL TABLE

Item	Product Name	Code	QTY	Remark
14	Square steel handle	ZCZS8116	1	P57, Optional, Baking finish
15	Transmitter	ZCDQ121	1	P118, Silver/Black

RECOMMENDED HANDLE



ZCZS2621



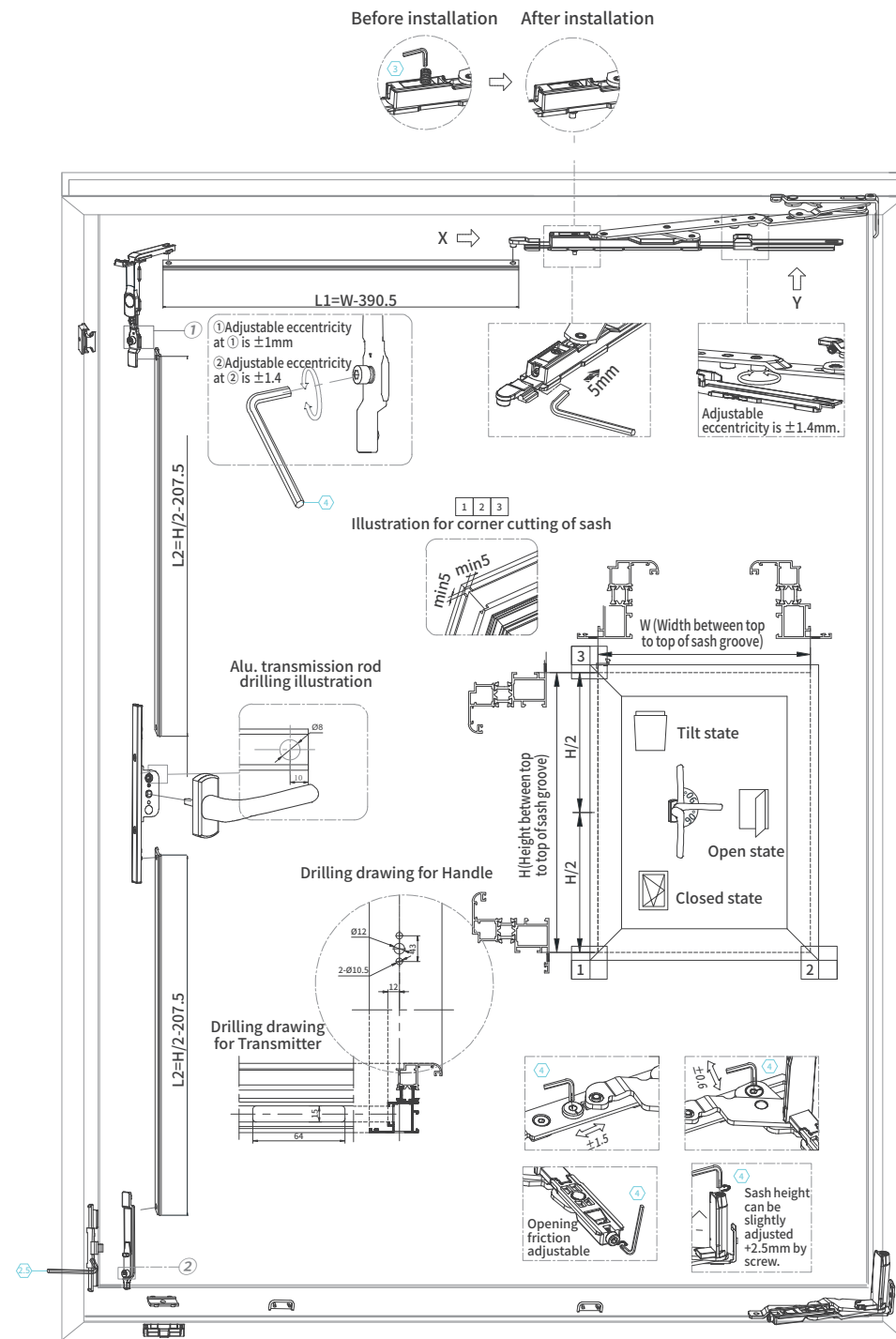
ZCZS2619

CONFIGURATION

1. It can be used for windows with width of 430-750mm and height of 600-1800mm.
2. Loading capacity is 100kg, and it's recommended to keep window size ratio (height/width) at 1.5:1.
3. Please maintain the hardware regularly.

Z-NPD210 Series
Z-NPD220 Series

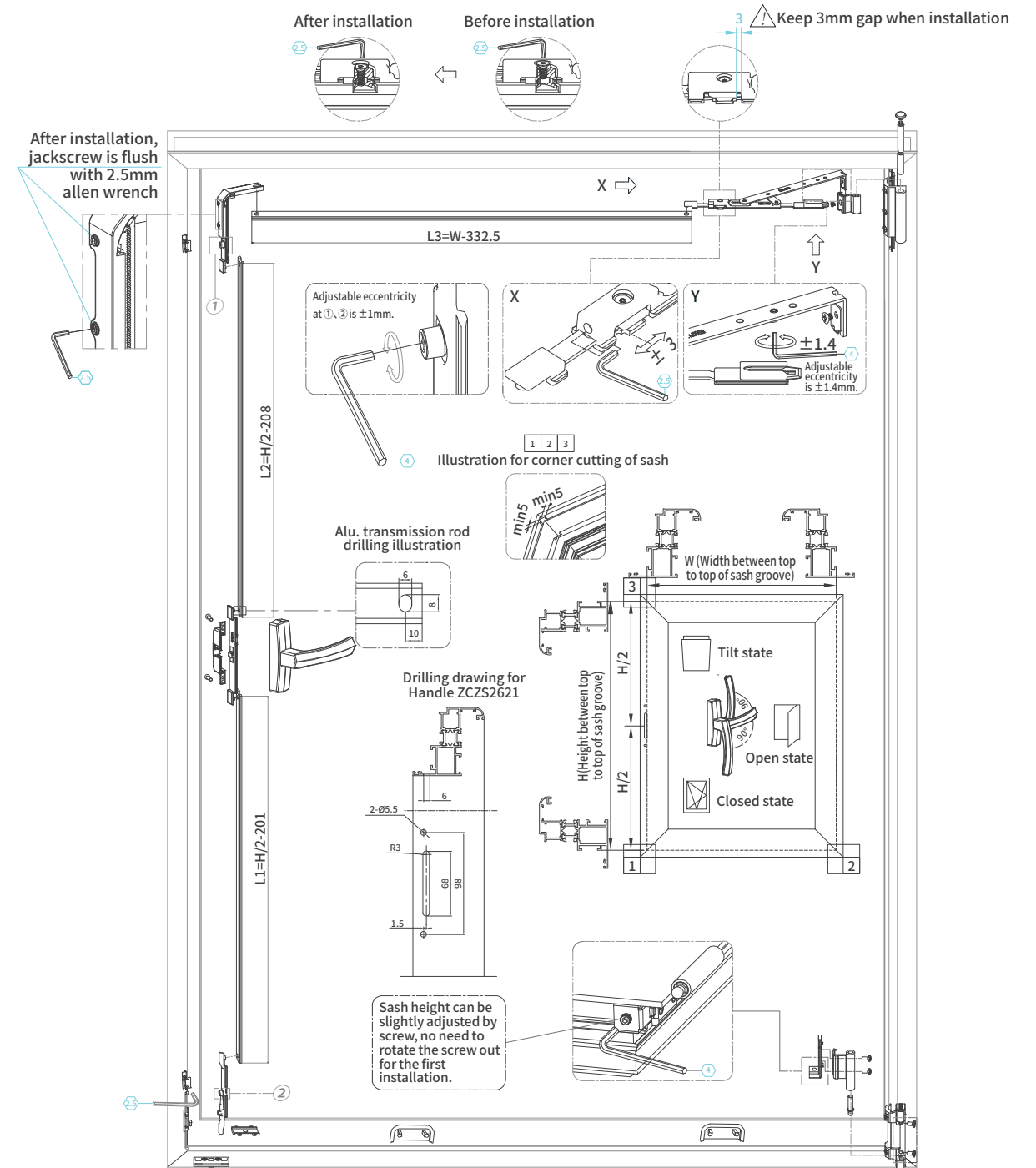
Installation and Adjustment Illustration
for Turn and Tilt Window



Remark: "○" stands for the specification of allen wrench

Z-NPD100 Series

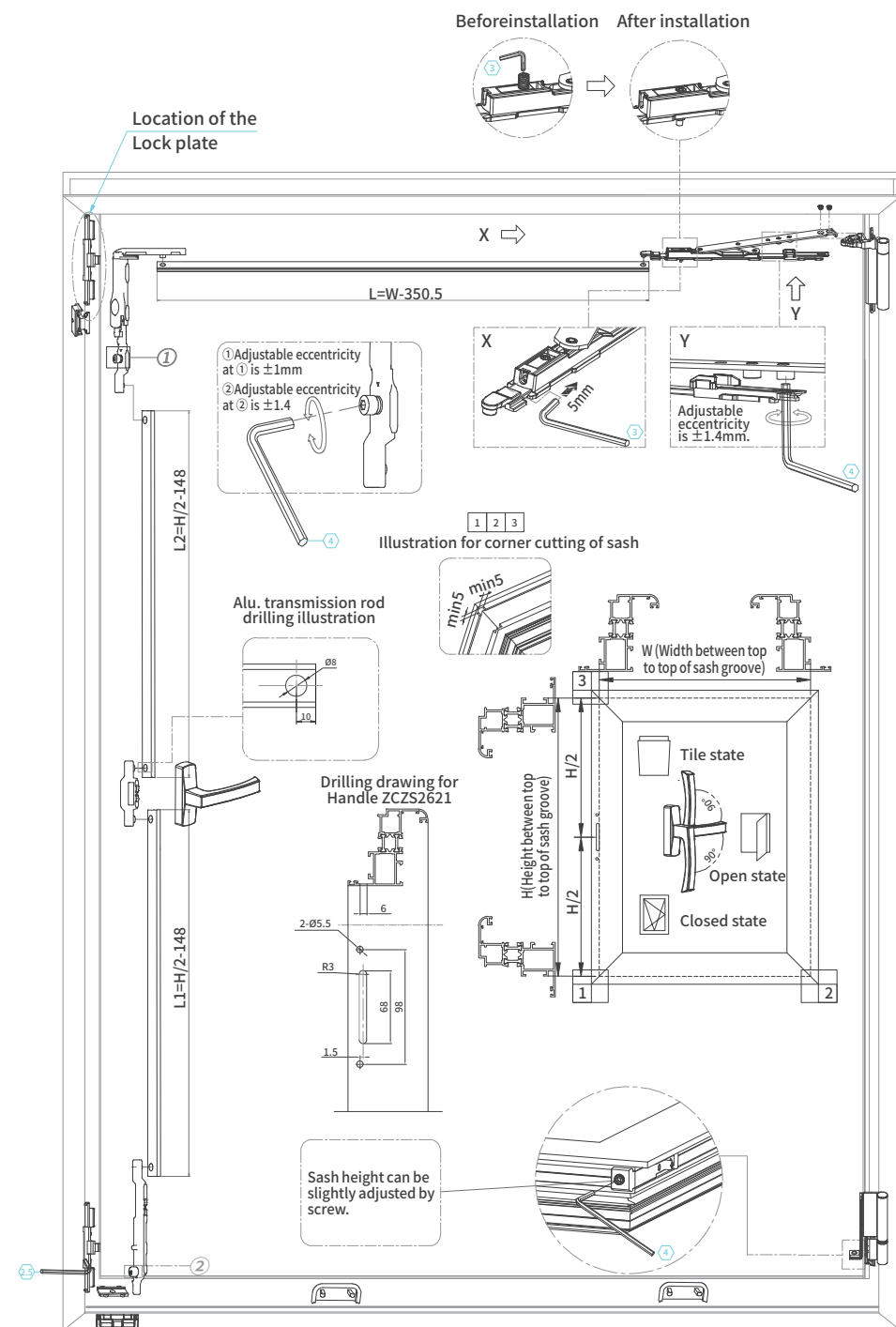
Installation and Adjustment Illustration for Turn and Tilt Window



Remark: "○" stands for the specification of allen wrench

Z-NPD110 Series

Installation and Adjustment Illustration for Turn and Tilt Window



Remark: "Ø" stands for the specification of allen wrench



DOORS AND WINDOWS
SYSTEM



Double Internal Opening Integrated Window
Open-in Casement Window

ACCESSORIES LIST

Item	Product Name	Code	QTY	Remark
1	Fork handle	ZCH15	1	P64, Optional, Oxidation
2	Main transmission rod	ZCDG617	1	P130
3	Side transmission rod	ZCDG715/II	2	P133
4	Lock plate	ZSKA18	2	P139
5	Concealed hinge	ZCHY849-L	1	P108, Difference Left And Right, More Optional ZCHY143-R
6	Concealed hinge	ZCHY849-R	1	P108, Difference Left And Right, More Optional ZCHY143-R
7	Support block	ZZCK13	1	P142
8	Support block B	ZZCK12	1	

Open-in Casement Screen Window

ACCESSORIES LIST

Item	Product Name	Code	QTY	Remark
9	Concealed spring lock	ZCTS20	1	P76, Oxidation, Optional
10	Transmission rod	ZCDG614	1	P130
11	Side transmission rod	ZCDG715/II	2	P133
12	Lock plate	ZSKA18	2	P139
13	concealed screen window hinge	ZCHY813-L	1	P110, Difference Left And Right, Quick disassembly and assembly
14	concealed screen window hinge	ZCHY813-R	1	P110, Difference Left And Right, Quick disassembly and assembly
15	Support block	ZZCK13	1	P142
16	Support block B	ZZCK12	1	
Steel mesh for option	Steel mesh	Stainless steel mesh/ Invisible steel mesh	0.8-2.5㎡	Steel mesh product, Optional

PRODUCTS SHOW



ZCDG617+ZCH15



ZCDG614+ZCTS20

CONFIGURATION

1. Concealed hinge bearing capacity $\leq 60\text{Kg}$, and it's recommended to keep window sizeratio (height/width) at 1.5:1. It can be used for windows with width of 350-750mm and height of 600-1800mm.
2. Screen window hinge bearing capacity $\leq 10\text{Kg}$, and it's recommended to keep window sizeratio (height/width) at 1.5:1.
3. Please maintain the hardware regularly.
4. The transmission rod ZCDG617 can be selected according to the installation position of the concealed spring lock.
5. Two types of steel mesh are available, please refer to the product performance introduction.



SCREEN WINDOW SYSTEM

Inner screen sash and outer glass sash integrated window

Open in Casement Screen Window

ACCESSORIES LIST

Item	Product Name	Code	QTY	Remark
1	Square steel handle	ZCH12	1	P52, Optional, Oxidation
2	Transmitter	ZCDQ110	1	P119
3	Side transmission rod	ZCDG715/II	2	P133
4	Lock plate	ZSKA18	2	P139
5	concealed screen window hinge	ZCHY812-L	1	P109, Difference Left And Right, More Optional ZCHY820-L
6	concealed screen window hinge	ZCHY812-R	1	P109, Difference Left And Right, More Optional ZCHY820-R
7	Support block	ZZCK13	1	P142
8	Support block B	ZZCK12	1	
Steel mesh for option	Steel mesh	Stainless steel mesh/ Invisible steel mesh	0.8-2.5m ²	Steel mesh product, Optional

Open-out Casement Glass Window

ACCESSORIES LIST

Item	Product Name	Code	QTY	Remark
9	bending handle of spindle	ZCH11-R	1	P52, Oxidation, Difference Left And Right, Optional
10	Transmitter	ZCDQ214	1	P120
11	Side transmission rod	ZCDG715/II	2	P133
12	Lock plate	ZSKA18	2	P139
13	Hinge	ZJLA21S-L	1	P111, Difference Left And Right,
14	Hinge	ZJLA21S-R	1	P111, Difference Left And Right,
15	Anti drop piece	ZFTQ10	1	P143, Silver oxide
16	Support block	ZZCK13	1	P142
17	Support block B	ZZCK12	1	

FORK TO RECOMMEND



ZCDG614+ZCZS3531



ZCDG614+ZCZS4501-R

CONFIGURATION

1. Screen window hinge bearing capacity $\leq 10\text{Kg}$, and it's recommended to keep window sizeratio (height/width) at 1.5:1.
2. Hinge bearing capacity: $\leq 60\text{kg}$, It is recommended that the hinge installation space between frame and sash is 11.5-12mm. and it's recommended to keep window sizeratio (height/width) at 1.5:1. It can be used for windows with width of 600mm and height of 1200mm.
3. Please maintain the hardware regularly. Open windows should not be used in rainy weather or weather with winds of level 4 or higher. When winds of level 6 or higher, all open windows should be closed.
4. Two types of steel mesh are available, please refer to the product performance introduction.



SCREEN WINDOW SYSTEM

Inner glass sash and outer screen sash integrated window Open-in Casement Glass Window

ACCESSORIES LIST

Item	Product Name	Code	QTY	Remark
1	Square steel handle	ZCH12	1	P52, Optional, Oxidation
2	Transmitteer	ZCDQ214	1	P120, Anti-pull, Optional
3	Side transmission rod	ZCDG713	2	P131
4	Lock plate	ZSKA13-L	1	P138, Difference Left And Right
5	Lock plate	ZSKA13-R	1	P138, Difference Left And Right
6	concealed upper hinge	ZCHY843-R	1	P108, Difference Left And Right, Optional ZCHY145
7	concealed bottom hinge	ZCHY846-R	1	P107, Difference Left And Right, Optional ZCHY145
8	Support block	ZZCK13	1	P142
9	Support block B	ZZCK12	1	
10	Limiter	ZXWQ10A-10"	1	P144, Specification depends on window type, Optional

Open-out Casement Screen Window

ACCESSORIES LIST

Item	Product Name	Code	QTY	Remark
11	bending handle of spindle	ZCH11-R	1	P52, Oxidation, Difference Left And Right, Optional
12	Transmitteer	ZCDQ214	1	P120, Silver/Black, Optional
13	Side transmission rod	ZCDG713	2	P131
14	Lock plate	ZSKA13-L	1	P138
15	Lock plate	ZSKA13-R	1	P138
16	concealed screen window hinge	ZCHY810A-L	1	P109, Difference Left And Right,
17	concealed screen window hinge	ZCHY810A-R	1	P109, Difference Left And Right,
18	Anti drop piece	ZFTQ10	1	P143, Silver oxide
19	Support block	ZZCK13	1	P142
20	Support block B	ZZCK12	1	
21	Limiter	ZXWQ10A-10"	1	P144, Specification depends on window type, Optional
Steel mesh for option	Steel mesh	Stainless steel mesh/ Invisible steel mesh	0.8-2.5m ²	Steel mesh product, Optional

FORK TO RECOMMEND



ZCDG614+ZCZS3531



ZCDG614+ZCZS4501-R

CONFIGURATION

1. Concealed hinge bearing capacity ≤ 90Kg, and it's recommended to keep window sizeratio (height/width) at 1.5:1. It can be used for windows with width of 350-750mm and height of 600-1800mm.
2. Open-out mesh window must be equipped with wind bracing or stoppers. Please keep it in a normally closed state to avoid excessive wind and damage to the hardware. Screen window hinge bearing capacity ≤ 15Kg, and it's recommended to keep window sizeratio (height/width) at 1.5:1.
3. Please maintain the hardware regularly.
4. Open windows should not be used in rainy weather or weather with winds of level 4 or higher. When winds of level 6 or higher, all open windows should be closed.
5. Two types of steel mesh are available, please refer to the product performance introduction.



23/27 groove Inner screen sash and outer glass sash integrated window

Open-in Casement Screen Window

ACCESSORIES LIST

Item	Product Name	Code	QTY	Remark
1	Square steel handle	ZCH12	1	P52, Optional, Oxidation
2	Transmission	ZCDQ110	1	P119
3	Side transmission rod	ZCDG715/II	2	P133
4	Lock plate	ZSKA18/K	2	P140
5	concealed screen window hinge	ZCHY812K-L	1	P109, Difference Left And Right
6	concealed screen window hinge	ZCHY812K-R	1	P109, Difference Left And Right
7	Support block	ZZCK13/K	1	P142
8	Support block B	ZZCK12	1	
Steel mesh for option	Steel mesh	Stainless steel mesh/ Invisible steel mesh	0.8-2.5m ²	Steel mesh product, Optional

Open-out Casement Glass Window

ACCESSORIES LIST

Item	Product Name	Code	QTY	Remark
9	bending handle of spindle	ZCH11-R	1	P52, Optional, Oxidation
10	Transmitter	ZCDQ214	1	P120
11	Side transmission rod	ZCDG715/II	2	P133
12	Lock plate	ZSKA18/K	2	P140
13	Hinge	ZJLA21SK-L	1	P111, Difference Left And Right
14	Hinge	ZJLA21SK-R	1	P111, Difference Left And Right
15	Anti drop piece	ZFTQ11-R	1	P143, Silver oxide
16	Support block	ZZCK13/K	1	P142
17	Support block B	ZZCK12	1	

FORK TO RECOMMEND



ZCDG614+ZCZS3531



ZCDG614+ZCZS4501-R

CONFIGURATION

1. Screen window hinge bearing capacity $\leq 10\text{Kg}$, and it's recommended to keep window sizeratio (height/width) at 1.5:1.
2. Hinge bearing capacity: $\leq 60\text{kg}$, It is recommended that the hinge installation space between frame and sash is 11.5-12mm, and it's recommended to keep window sizeratio (height/width) at 1.5:1. It can be used for windows with width of 600mm and height of 1200mm.
3. Please maintain the hardware regularly, Open-out mesh window must be equipped with wind bracing or stoppers.
4. Open windows should not be used in rainy weather or weather with winds of level 4 or higher. When winds of level 6 or higher, all open windows should be closed.
5. Two types of steel mesh are available, please refer to the product performance introduction.

OPEN IN WINDOW SYSTEM

Child safety open-in casement window (micro ventilation)

ACCESSORIES LIST

Item	Product Name	Code	QTY	Remark
1	Square steel handle	ZCH12	1	P52, Optional, Oxidation
2	Transmitter	ZCDQ122	1	P118, Anti-pull
3	Side transmission rod	ZCDG715/II	2	P133
4	Lock plate	ZSKA18	2	P139
5	Concealed Right-upper Hinge	ZCHY843-R	1	P108, Difference Left And Right, Optional
6	Concealed Right-bottom Hinge	ZCHY846-R	1	P107, Difference Left And Right, Optional
7	Support block	ZZCK13	1	P142
8	Support block B	ZZCK12	1	
9	Limiter	ZXWQ10A-10"	1	P144, Specification depends on window type, Optional
10	Right micro ventilation	ZWTF10-R	1	Child safety, P116, Difference Left And Right

Fork Handle Solution

OPTIONAL TABLE

Item	Product Name	Code	QTY	Remark
11	Fork handle	ZCH15	1	P64, Optional, Oxidation
12	Main transmission rod	ZCDG617	1	P130
13	Hinge	ZCHY143-R	2	P105, Difference Left And Right, Oxidation, Optional

RECOMMENDED HANDLE



ZCH12



ZCS8114



ZCS11

CONFIGURATION SPECIFICATION

1. It can be used for windows with width of 350-750mm and height of 600-1800mm.
Choose micro-ventilation accessories and adjust the height of the window sash to within 900-1800mm.
2. Hinge bearing capacity $\leq 90\text{Kg}$, and it's recommended to keep window size ratio (height/width) at 1.5:1.
3. Please maintain the hardware regularly.



Z-WPC100 Series

OPEN OUT WINDOW



OPEN OUT WINDOW SYSTEM

ACCESSORIES LIST

Item	Product Name	Code	QTY	Remark
1	Square steel handle	ZCH12	1	P52, Oxidation, Optional
2	Transmitter	ZCDQ214	1	P120
3	Side transmission rod	ZCDG715/II	2	P133
4	Lock plate	ZSKA18	2	P139
5	Hinge	ZJLA21S-L	1	P111, Difference Left And Right
6	Hinge	ZJLA21S-R	1	P111, Difference Left And Right
7	Support block	ZZCK13	1	P142
8	Support block B	ZZCK12	1	
9	Anti drop piece	ZFTQ10	1	P143, Silver oxide

Tongue Handle Solution

OPTIONAL TABLE

Item	Product Name	Code	QTY	Remark
10	Fork handle	ZCH13	1	P65, Oxidation, Optional
11	Main transmission rod	ZCDG614	1	P130

RECOMMENDED HANDLE



ZCH12



ZCZS8114



ZCS11

CONFIGURATION SPECIFICATION

1. It can be used for windows with width of 600mm and height of 1200mm.
2. Hinge bearing capacity $\leq 60\text{Kg}$, It is recommended that the hinge installation space between frame and sash is 11.5-12mm, and it's recommended to keep window size ratio (height/width) at 1.5:1.
3. Please maintain the hardware regularly. Open-out casement windows must be equipped with safety devices such as anti-dropping devices.
3. Open windows should not be used in rainy weather or weather with winds of level 4 or higher. When winds of level 6 or higher, all open windows should be closed.

Z-TLC100 Series

SLIDING WINDOW



SLIDING WINDOW SYSTEM

ACCESSORIES LIST

Item	Product Name	Code	QTY	Remark
1	Sliding lock	ZTH91	2	P95, Oxidation, Optional
2	Transmission rod	ZCDG616	2	P137
3	Lock catch	ZSKB23	2	P141
4	Roller	ZCHL1110	4	P147, Depends on window profile
5	Anti theft block	ZFDK10	1	
6	Anti strike block	ZFZK12	4	P144

RECOMMENDED SLIDING LOCK



ZTH91



ZTLS1320



ZTLS1320S

CONFIGURATION SPECIFICATION

1. Bearing capacity of roller: $\leq 30\text{kg}$, The bearing capacity depends on the specifications of the roller.
2. The height of the lock point can be adjusted, please check whether the pin is exposed to match.
3. The hardware can be selected according to different profiles, the above configuration is only for reference
4. When the sliding lock is in the locked state, it is forbidden to close the window to avoid damage to the hardware.

Z-MC100 Series

DOOR AND WINDOW SYSTEM

DOOR AND WINDOW SYSTEM

Door&window Integrated System: casement window +casement door

ACCESSORIES LIST

Item	Product Name	Code	QTY	Remark
1	Door&window Integrated System	ZMC100-L/R	1	Difference Left And Right,
2	Square steel handle	ZCH12	1	P52, Optional

RECOMMENDED HANDLE



ZCH12



ZCZS8114



ZCZS8116

CONFIGURATION SPECIFICATION

1. It can meet the door type with a sash width of 500-900mm and a sash height of 2200mm.
2. The basic bearing capacity is 120kg, and it's recommended to keep window sizeratio(height/width) at 1.5:1.
3. Please maintain the hardware regularly.
4. Used in indoor partitions.

Z-MC200 Series

DOOR AND WINDOW SYSTEM

DOOR AND WINDOW SYSTEM

Door&window Integrated System: hopper window +casement door

ACCESSORIES LIST

Item	Product Name	Code	QTY	Remark
1	Door&window Integrated System	ZMC200-L/R	1	Difference Left And Right,
2	Square steel handle	ZCH12	1	P52, Optional

RECOMMENDED HANDLE



ZCH12



ZCZS8114



ZCZS8116

CONFIGURATION SPECIFICATION

1. It can meet the door type with a sash width of 500-900mm and a sash height of 2200mm.
2. The basic bearing capacity is 120kg, and it's recommended to keep window sizeratio(height/width) at 1.5:1.
3. Please maintain the hardware regularly.
4. Used in indoor partitions.

Z-PKM100 Series

SIDE HUNG DOOR



SIDE HUNG DOOR SYSTEM

Concealed casement door

ACCESSORIES LIST

Item	Product Name	Code	QTY	Remark
1	Door handle	ZMH31	1	P78, Oxidation, Optional
2	Door lock	ZMSB3211/I	1	P125
3	Cover plate	ZKMB12	1	P129
4	Side transmission rod	ZCDG713/I	2	P131
5	Lock plate	ZSKA15-R	2	P138, Left /Right
6	Concealed door hinge	ZMHY870-SR	1	P112, More Optional ZMHY179-R
7	Concealed door hinge	ZMHY870-XR	1	P112, More Optional ZMHY179-R
8	Cylinder	ZKIL3737/T	1	Specification depends on profile thickness

RECOMMENDED HANDLE



ZMH31



ZMZS1725



ZMZS1720

CONFIGURATION SPECIFICATION

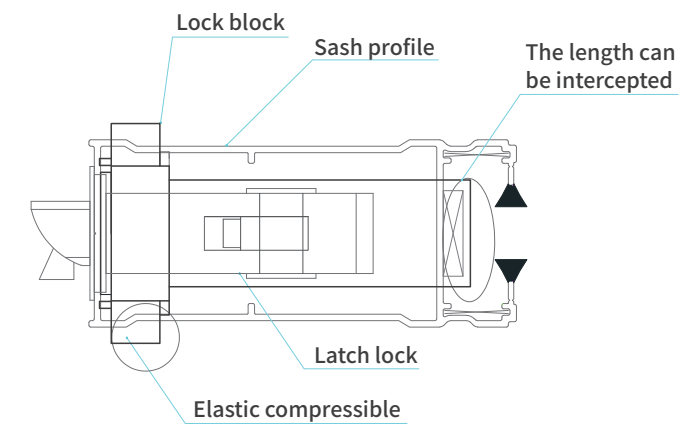
- 1、Hinge capacity: $\leq 120\text{kg}$, It can meet the door type with sash width of 900mm and sash height of 2300mm.
- 2、When using concealed hinges, add middlelock plate.
- 3、Please maintain the hardware regularly.

Z-WSM100 Series

BATHROOM DOOR



INSTALLATION AND USE DIAGRAM OF LOCKING BLOCK



ACCESSORIES LIST

Item	Product Name	Code	QTY	Remark
1	Door handle	ZMZS5820T	1	P88, Optional
2	Door hinge	ZMHY461-R	3	P115, Left /Right, Optional
3	Door stopper	ZMXA10	1	
4	Lock block	ZDK01	1	Optional according to profile

RECOMMENDED HANDLE



ZMZS5820T



ZMZS5821T

CONFIGURATION SPECIFICATION

1. Bearing capacity of stainless steel hinge: $\leq 40\text{kg}$.
2. The plastic lock block is optional and insert before assembling the frame.
3. Please maintain the hardware regularly.

Z-DH100 Series

EXTREMELY NARROW SUSPENSION BUFFER SLIDING DOOR SYSTEM



ACCESSORIES LIST

Hanging roller system

Item	Product Name	Code	Product picture	Guide rail diagram
1	C-type quick release two-way buffer hanging roller system (recommendation)	ZDHK10		
2	Universal one-way buffer hanging roller system	ZDHT10		
3	Universal two-way buffer hanging roller system	ZDHT20		

Appearance

Item	Product Name	Code	Product picture
1	Handle	ZTL10-01	

TECHNICAL PARAMETERS

Item	Parameter item	parameter	Remark
1	Applicable load-bearing	50kg-80kg	
2	Applicable door thickness	≥30mm	
3	Applicable door width	≥590mm	ZDHT10A plicable door width≥770mm
4	Height adjustment	±2.5mm	

PRODUCT FEATURES

1. Manual sliding operation, two-way buffering, flush at both ends, height adjustable.
2. Convenient installation, smooth operation, stable, quiet, and long service life.
3. C-type quick release two-way buffer hanging roller system: The hanging roller can be quickly maintained or replaced without dismantling the track.
4. Take two sashes as an example, the whole configuration includes: the hanging roller system is selected from the above table, the quantity is 2 sets, and the appearance parts are recommended 4 pieces.

Z-DL200 Series

EXTREMELY NARROW LINKAGE SLIDING DOOR SYSTEM



ACCESSORIES LIST

Functional parts

Item	Product Name	Code	Product picture
1	2+0 Synchronous isotropic Double Sash Linkage Accessories	ZDL20	
2	2+1 Synchronous isotropic Double Sash Linkage Accessories	ZDL21	
3	3+0 Synchronous isotropic Three Sash Linkage Accessories	ZDL30	
4	3+1 Synchronous isotropic Three Sash Linkage Accessories	ZDL31	
5	2+2 Synchronization anisotropic double Sash linkage accessories	ZDL22	

Appearance parts

Item	Product Name	Code	Product picture
6	Handle	ZTL10-01	

CONFIGURATION SPECIFICATION

1. The load-bearing capacity of the system is 70kg-90kg. Applicable door thickness $\geq 30\text{mm}$, Applicable door width $\geq 770\text{mm}$, Height adjustment $\pm 2.5\text{mm}$.
2. The complete configuration includes: 1 set of functional parts (functions are selected according to requirements); 2 pieces of appearance parts are recommended (for example, 4 pieces are recommended when selecting 2+2 linkage parts).
3. The above configurations are in two-way buffering mode.

Z-TL300 Series

GROUND PUSH NARROW SIDE SLIDING DOOR SYSTEM



ACCESSORIES LIST

Functional parts

Item	Product Name	Code	Product picture
1	Ground push narrow side sliding door system	ZTLD10	

Appearance parts

Item	Product Name	Code	Product picture
1	Handle	ZTL10-01	

CONFIGURATION SPECIFICATION

1. The load capacity of the rollers is 80-100kg.
2. Guide wheel adjustment range: 13-68mm.
3. Such as 2 sashes, the complete configuration includes: 2 sets of functional parts, and 4 pieces of appearance parts are recommended.

Z-TLM100 Series

LIGHT SLIDING DOOR



ACCESSORIES LIST

Item	Product Name	Code	QTY	Remark
1	Handle	ZLH71	1	P90, Baking finish, Optional
2	Sliding lock	ZTH91	2	P95, Baking finish, Optional
3	Sliding lock	ZTH91-W	2	P95, Baking finish, Optional
4	Transmission rod	ZCDG421-1000	2	P135, length can be 1500mm, 1800mm
5	Lock catch	ZSKB23	4	P141
6	Roller	ZMHL2312	4	P148, Optional according to profile
7	Guide pulley	ZDXL1140	4	P152, Optional according to profile, Optional
8	Anti strike block	ZFZK11	4	P144
9	Anti mis-operation device	ZFWQ21	2	

OPTIONAL TABLE

Item	Product Name	Code	QTY	Remark
10	Handle	ZCH13	1	P65, Baking finish, Optional
11	Sliding lock	ZTLS1320	1	P98, Baking finish, Optional

RECOMMENDED HANDLE



CONFIGURATION SPECIFICATION

1. Bearing capacity of roller: ≤ 60 kg. The bearing capacity depends on the specifications of the roller
2. Select anti mis-operation device according to the profile.

Z-TLM200 Series

HEAVY SLIDING DOOR



ACCESSORIES LIST

Item	Product Name	Code	QTY	Remark
1	Sliding lock	ZTH92	2	P94, Baking finish, Optional
2	Sliding lock	ZTH92-W	4	P94, Anodizing
3	Handle	ZLH71	2	P90, Anodizing
4	Hook lock	ZGSB2820/II	1	
5	Cover plate	ZKMB20	1	P128
6	Cylinder box	ZSXH20	1	P87, Anodizing
7	Cylinder	ZKIL3737/I	1	According to the profile thickness
8	Main transmission rod	ZCDG421-L	2	P135, The length specification depends on the door type
9	Lock catch	ZSKB23	4	P141
10	Roller	ZMHL4410	8	P149, Selected according to profile
11	Guide pulley	ZDXL1140	8	P152, Selected according to profile
12	Anti strike block	ZFZK12	6	P144

OPTIONAL TABLE

Item	Product Name	Code	QTY	Remark
13	Handle	ZCH13	2	P65, Baking finish, Optional
14	Sliding lock	ZTLS1320-W	2	P99, Baking finish, Optional

RECOMMENDED HANDLE



ZTH91



ZCH13



ZLH71

CONFIGURATION SPECIFICATION

1. Bearing capacity of roller: $\leq 120\text{kg}$. The bearing capacity depends on the specifications of the roller
2. The lock catch can be made of stainless steel.

Z-FTL100 Series

SLIDING AND FOLDING



ACCESSORIES LIST

Item	Product Name	Code	QTY	Remark
1	Handle	ZMZS1730	1	P82 Baking finish, Optional
2	Door lock	ZMSB3211/II	1	P125
3	Cover plate	ZKMB12	1	P129
4	Transmitter	ZCDQ211	2	P122
5	Handle	ZCZS8520	2	P62 Baking finish, Optional
6	Latch	ZCXA23A	4	
7	Cylinder	ZKIL4747/T	1	According to the profile thickness
8	Upper hinge system	ZFTL100-01	1	Baking finish
9	Bottom hinge system	ZFTL100-02	1	Baking finish
10	Side hinge	ZFTL100-05	8	Baking finish
11	Handle hinge	ZFTL100-06	1	Baking finish

RECOMMENDED HANDLE



ZMZS1730



ZMZS1725



ZCZS8520

CONFIGURATION SPECIFICATION

1. The upper hinge system is self balance, which makes the door leaf easier and smoother to operate, and it can bear load up and down.
2. It can meet the odd-numbered sash configuration, such as 431, 633, etc., and the door width is 800mm, door height is 2400mm, and the door weight is less than 90kg.
3. Please maintain the hardware regularly.

Z-TTL100 Series

LIFTING AND SLIDING DOOR



ACCESSORIES LIST

Item	Product Name	Code	QTY	Remark
1	Door handle	ZMZS9710	1	P81, Anodizing, Optional
2	Transmission lock	ZTTL100-01	1	
3	Support block	ZTTL100-02	8	
4	Back roller	ZTTL100-03	1	
5	Front roller	ZTTL100-04	1	
6	Lock catch	ZTTL100-05	2	
7	Left positioning block	ZTTL100-06-L	1	Left /Right
8	Right positioning block	ZTTL100-06-R	1	Left /Right
9	Connecting rod	ZTTL100-07-400	1	The specification depends on the window type
10	Support seat	ZTTL100-08	1	
11	Waterproof cover	ZTTL100-09	2	
12	Support block	ZTTL100-10	3	
13	Left cover plate	ZTTL100-11-L	1	Left /Right
14	Upper cover plate	ZTTL100-12	1	
15	Right plug	ZTTL100-13-R	1	Left /Right
16	Anti strike block	ZFZK10	1	
17	Anti theft block	ZFDK20	1	
18	Plastic cushion	ZTTL100-15	3	

RECOMMENDED HANDLE



ZMZS9710



ZMZS9720

CONFIGURATION

1. The maximum weight of sash is 300kg, and the weight of sash is determined by the load-bearing rollers.
2. Pay attention to the installation position of the lock catch when selecting profiles.
3. If the handle needs drilling for cylinder, please consult the technician.
4. The maximum sash width is 3000mm, the maximum doorway height is 2800mm, and the maximum sash height is 2675mm.
5. It is recommended to use middle roller for a single door wider than 2000mm.

Z-TTL110 Series

LIFTING AND SLIDING DOOR



ACCESSORIES LIST

Item	Product Name	Code	QTY	Remark
1	Door handle	ZMZS9711	1	P81, Anodizing, Optional
2	Transmission lock	ZTTL110-01	1	
3	Support block	ZTTL100-02	8	
4	Front roller	ZTTL110-02	1	
5	Back roller	ZTTL110-03	1	
6	Lock catch	ZTTL100-05	3	
7	Connecting rod	ZTTL110-04-L	1	The specification depends on the window type
8	Support seat	ZTTL100-08	1	
9	Waterproof cover	ZTTL100-09	2	
10	Anti strike block	ZFZK10	1	
11	Ventilation anti-theft locking plate	ZTTL110-05	1	

RECOMMENDED HANDLE



ZMZS9711



ZMZS9712



ZMZS9713






CONFIGURATION

1. The maximum weight of sash is 150kg
2. Pay attention to the installation position of the lock catch when selecting profiles.
3. If the handle needs drilling for cylinder, please consult the technician.
4. The maximum sash width is 3000mm, the maximum doorway height is 2800mm, and the maximum sash height is 2675mm.

SQUARE STEEL HANDLE SERIES



The picture is only for reference, the product is subject to the actual product

-  Safety
-  Durable
-  Aesthetics
-  Multi-color
-  Original

WINDOW HANDLE SERIES

H Series

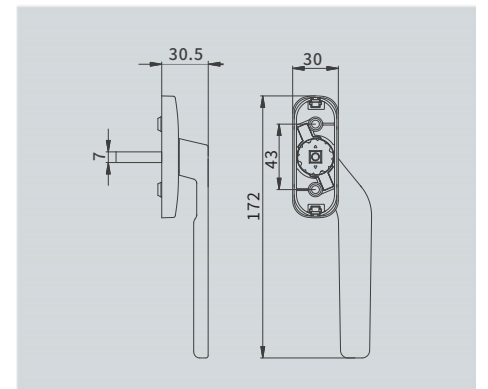


YH Fashion Silver

YH Classical Copper

PRODUCT DESCRIPTION

Product Name: Square steel handle
(With mechanical sound)
Product Code: ZCH11-L/R
Surface treatment: Anodizing
Applicable system: Casement window &
turn and tilt window
**Technical parameters: Square steel
exposed 20-50mm (take 5 as advanced unit)**



H Series

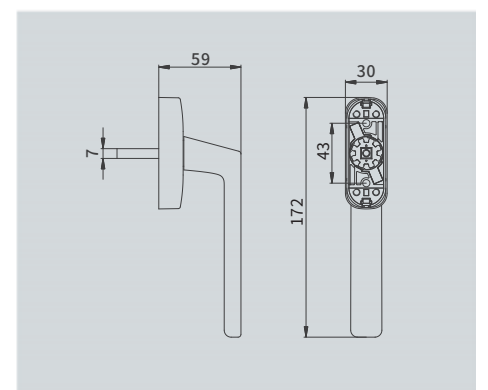


YH Fashion Silver

YH Classical Copper

PRODUCT DESCRIPTION

Product Name: Square steel handle
(With mechanical sound)
Product Code: ZCH12 (Fork handle: ZCH13)
Surface treatment: Anodizing
Applicable system: Casement window &
turn and tilt window
**Technical parameters: Square steel
exposed 20-70mm (take 5 as advanced unit)**



OPTIONAL COLORS

-  YH Fashion Silver
-  YH Elegant Gold
-  YH Classical Copper

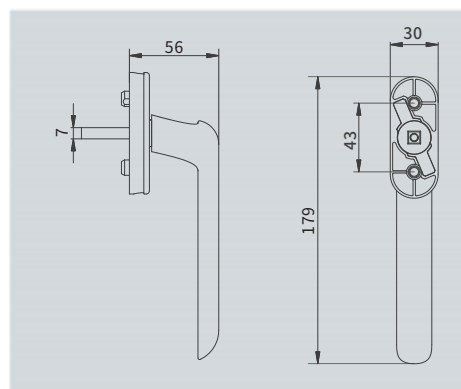


YH Fashion Silver

YH Classical Copper

PRODUCT DESCRIPTION

Product Name: Square steel handle
 Product Code: ZCS11
 Surface treatment: Anodizing
 Applicable system: Casement window & turn and tilt window
Technical parameters: Square steel exposed 20-70mm (take 5 as advanced unit)

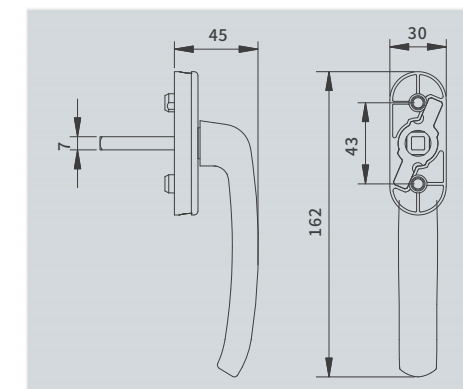


YH Fashion Silver

YH Classical Copper

PRODUCT DESCRIPTION

Product Name: Square steel handle
 Product Code: ZCZS8422
 Surface treatment: Anodizing
 Applicable system: Casement window & turn and tilt window
Technical parameters: Square steel exposed 20-70mm (take 5 as advanced unit)

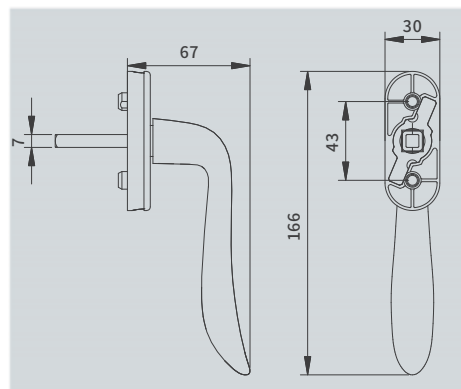


YH Fashion Silver

YH Classical Copper

PRODUCT DESCRIPTION

Product Name: Square steel handle
 Product Code: ZCZS8420
 Surface treatment: Anodizing
 Applicable system: Casement window & turn and tilt window
Technical parameters: Square steel exposed 20-70mm (take 5 as advanced unit)

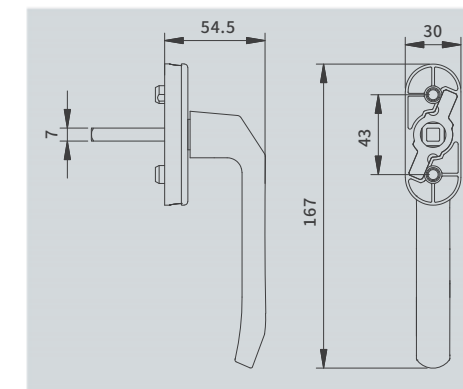


YH Fashion Silver

YH Classical Copper

PRODUCT DESCRIPTION

Product Name: Square steel handle
 Product Code: ZCZS8423
 Surface treatment: Anodizing
 Applicable system: Casement window & turn and tilt window
Technical parameters: Square steel exposed 20-70mm (take 5 as advanced unit)



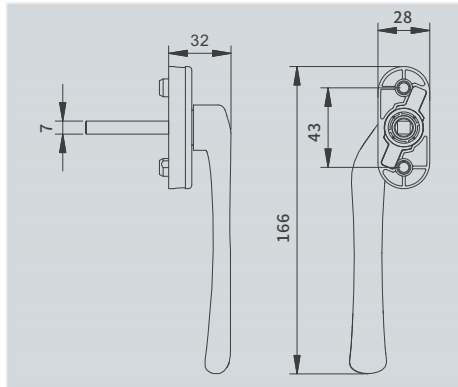


YH Fashion Silver

YH Classical Copper

PRODUCT DESCRIPTION

Product Name: Square steel handle
 Product Code: ZCZS8530-L/R
 Surface treatment: Anodizing
 Applicable system: Casement window/Door
Technical parameters: Square steel exposed 20-60mm (take 5 as advanced unit)

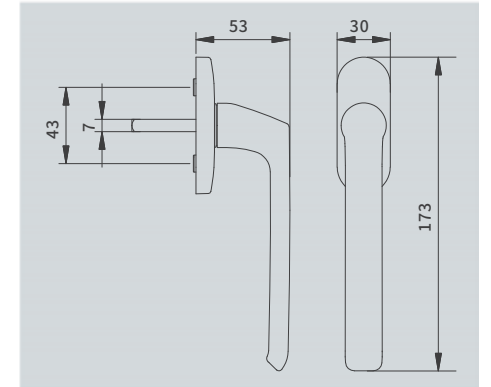


Starry sky gray

Green bronze

PRODUCT DESCRIPTION

Product Name: Square steel handle(With mechanical sound)
 Product Code: ZCZS8622
 Surface treatment: Starry sky gray/Green bronze
 Applicable system: Casement window & turn and tilt window
Technical parameters: Square steel exposed 23-73mm (take 5 as advanced unit)

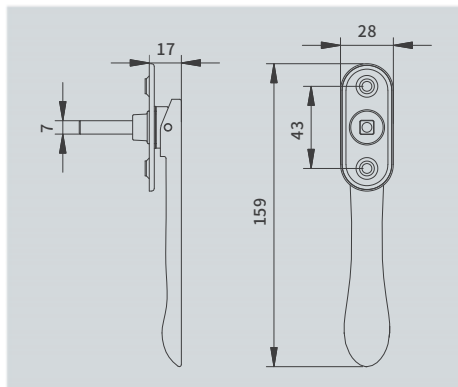


YH Fashion Silver

YH Classical Copper

PRODUCT DESCRIPTION

Product Name: Square steel handle
 Product Code: ZCZS8521
 Surface treatment: Anodizing
 Applicable system: Screen window & sliding and folding
Technical parameters: square steel exposed 20mm, 25mm, 30mm

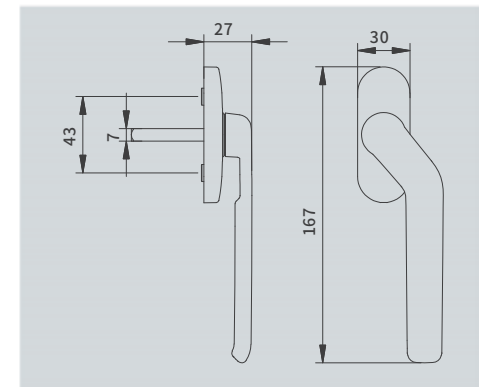


Starry sky gray

Green bronze

PRODUCT DESCRIPTION

Product Name: Square steel handle(With mechanical sound)
 Product Code: ZCZS8632-L/R
 Surface treatment: Starry sky gray/Green bronze
 Applicable system: Casement window
Technical parameters: Square steel exposed 23-63mm (take 5 as advanced unit)



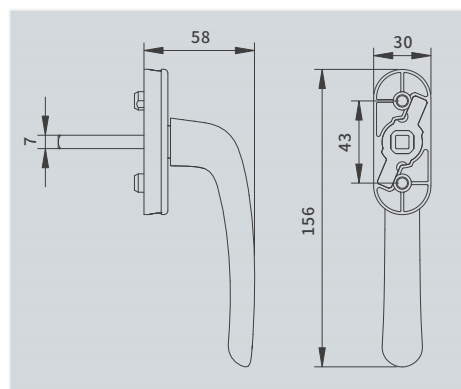


KQ Fashion Silver

KQ Titanium Crystal Grey

PRODUCT DESCRIPTION

Product Name: Square steel handle
 Product Code: ZCZS8116
 Surface treatment: Decorative baking
 Applicable system: Casement window & turn and tilt window
Technical parameters: Square steel exposed 20-70mm (take 5 as advanced unit)

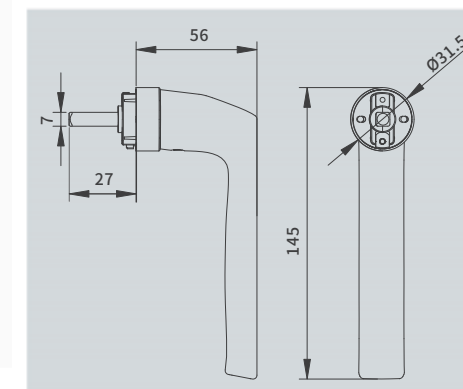


KQ Fashion Silver

KQ Mocha Brown

PRODUCT DESCRIPTION

Product Name: Square steel handle
 Product Code: ZCZS8710
 Surface treatment: Decorative baking
 Applicable system: Casement window & turn and tilt window
Technical parameters: Square steel exposed 27mm, match with transmitter with backset ≥15mm

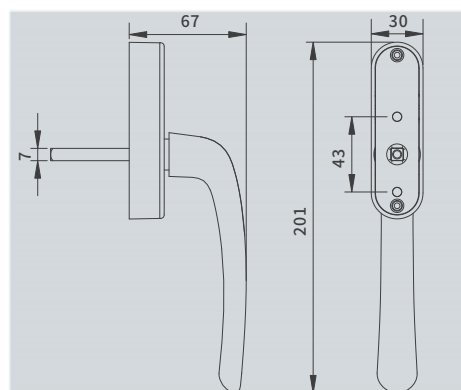


KQ Fashion Silver

KQ Titanium Crystal Grey

PRODUCT DESCRIPTION

Product Name: Square steel handle
 Product Code: ZCZS1310S/II
 Surface treatment: Decorative baking
 Applicable system: Casement window & turn and tilt window
Technical parameters: Square steel exposed 20-70mm (take 5 as advanced unit)

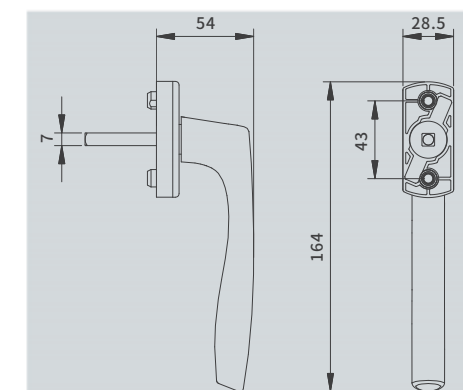


KQ Fashion Silver

KQ Mocha Brown

PRODUCT DESCRIPTION

Product Name: Square steel handle
 Product Code: ZCZS8114
 Surface treatment: Decorative baking
 Applicable system: Casement window & turn and tilt window
Technical parameters: Square steel exposed 20-70mm (take 5 as advanced unit)



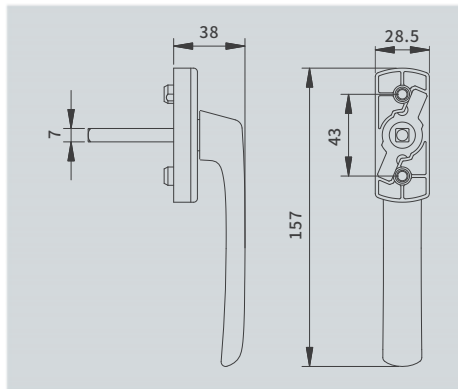


KQ Fashion Silver

KQ Mocha Brown

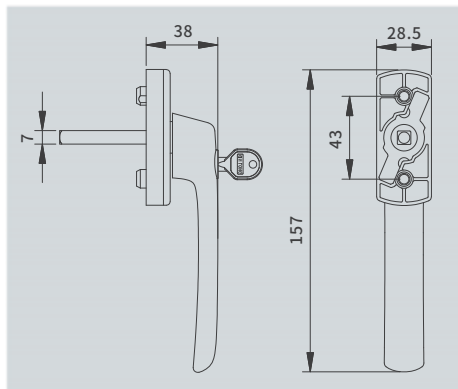
PRODUCT DESCRIPTION

Product Name: Square steel handle
 Product Code: ZCZS8115
 Surface treatment: Decorative baking
 Applicable system: Casement window & turn and tilt window
Technical parameters: Square steel exposed 20-70mm (take 5 as advanced unit)



PRODUCT DESCRIPTION

Product Name: Square steel handle
 Product Code: ZCZS8115S
 Surface treatment: Decorative baking
 Applicable system: Casement window & turn and tilt window
Technical parameters: Square steel exposed 20-70mm (take 5 as advanced unit)



KQ Fashion Silver

KQ Mocha Brown

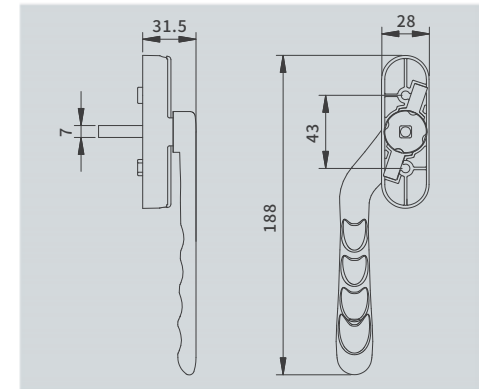


KQ Fashion Silver

KQ Classical Copper

PRODUCT DESCRIPTION

Product Name: Square steel handle
 Product Code: ZCZS8532-L/R
 Surface treatment: Decorative baking
 Applicable system: Casement window
Technical parameters: Square steel exposed 20-60mm (take 5 as advanced unit)

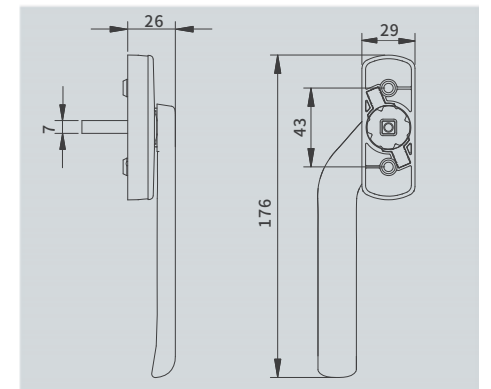


KQ Fashion Silver

KQ Classical Copper

PRODUCT DESCRIPTION

Product Name: Square steel handle
 Product Code: ZCZS1501-L/R
 Surface treatment: Decorative baking
 Applicable system: Casement window
Technical parameters: Square steel exposed 20-50mm (take 5 as advanced unit)



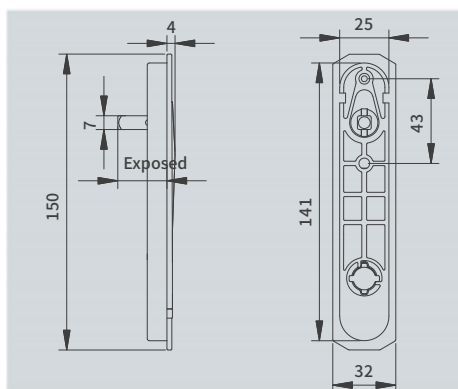


KQ Fashion Silver

KQ Classical Copper

PRODUCT DESCRIPTION

Product Name: Concealed handle
 Product Code: ZCZS8631
 Surface treatment: Decoration baking
 Applicable system: Screen window
Technical parameters: Square steel exposed 20-50mm (take 5 as advanced unit)

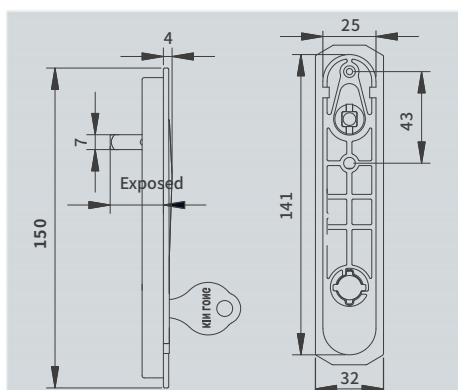


KQ Fashion Silver

KQ Classical Copper

PRODUCT DESCRIPTION

Product Name: Concealed handle (with key)
 Product Code: ZCZS8631S
 Surface treatment: Decoration baking
 Applicable system: Screen window
Technical parameters: Square steel exposed 20-50mm (take 5 as advanced unit)

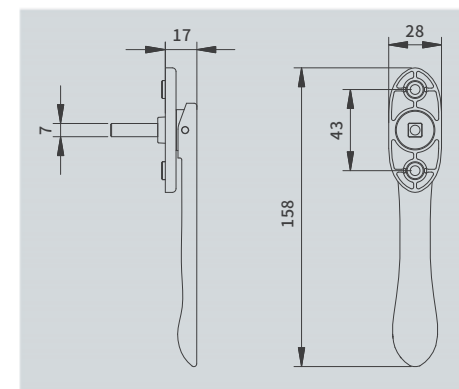


KQ Fashion Silver

KQ Elegant Gold

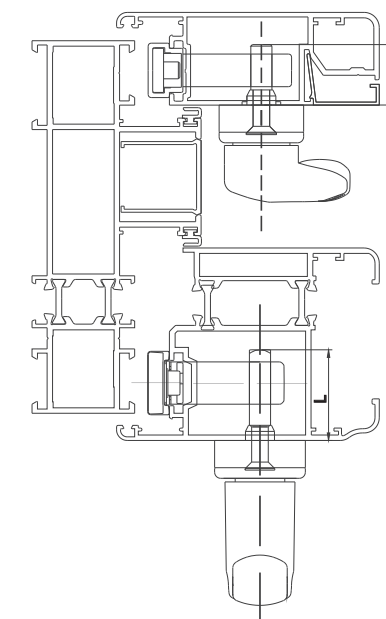
PRODUCT DESCRIPTION

Product Name: Square steel handle
 Product Code: ZCZS8520
 Surface treatment: Decoration baking
 Applicable system: Screen window & sliding and folding
Technical parameters: square steel exposed 20mm, 25mm, 30mm



Square steel handle illustration

Note: Confirm the exposed length L of Square steel according



FORK

HANDLE SERIES



- Safety
- Durable
- Aesthetics
- Multi-color
- Original

The picture is only for reference, the product is subject to the actual product

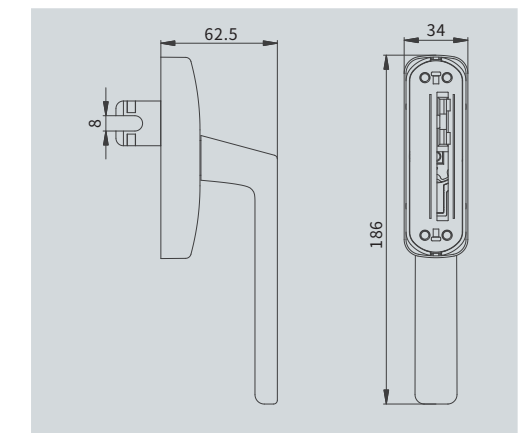
WINDOW HANDLE SERIES

H Series



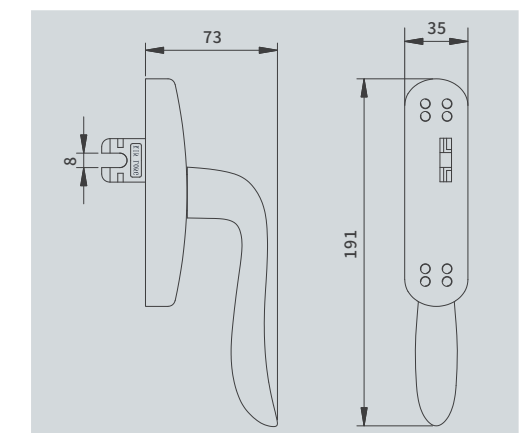
PRODUCT DESCRIPTION

Product Name: Fork handle(With mechanical sound)
 Product Code: ZCH15
 Surface treatment: Anodizing
 Applicable system: Open-in Casement Window & turn and tilt window
Technical parameters: L=24mm、35mm、46mm



PRODUCT DESCRIPTION

Product Name: Fork handle
 Product Code: ZCZS2720
 Surface treatment: Anodizing
 Applicable system: Open-in Casement Window & turn and tilt window
Technical parameters: L=24mm、35mm、46mm



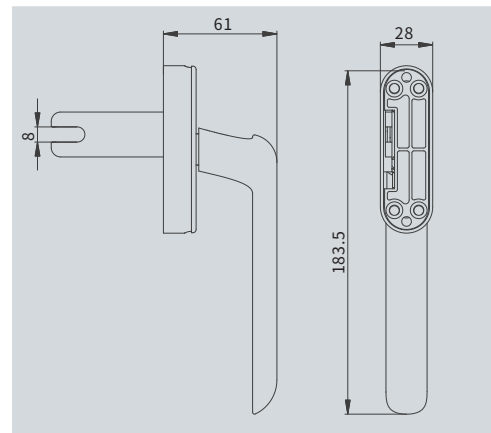
OPTIONAL COLORS YH Fashion Silver YH Elegant Gold YH Classical Copper



YH Fashion Silver YH Classical Copper

PRODUCT DESCRIPTION

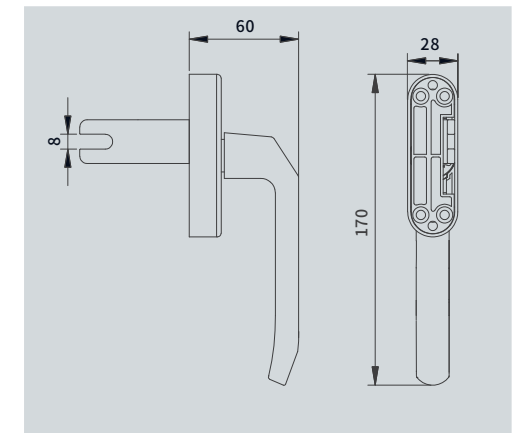
Product Name: Fork handle
 Product Code: ZCS12
 Surface treatment: Anodizing
 Applicable system: Casement window
Technical parameters: Tongue length exposed 20-60mm



YH Fashion Silver YH Classical Copper

PRODUCT DESCRIPTION

Product Name: Fork handle
 Product Code: ZCS1511
 Surface treatment: Anodizing
 Applicable system: Casement window
Technical parameters: Tongue length exposed 20-60mm



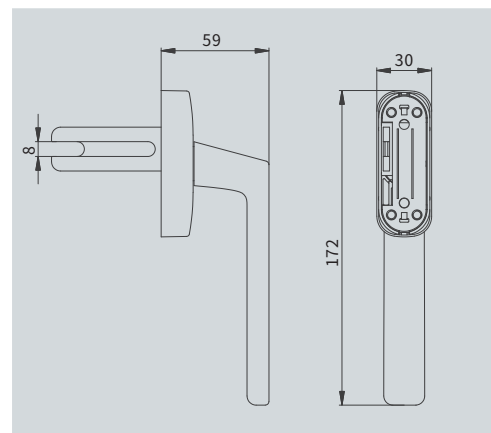
H Series



YH Fashion Silver YH Classical Copper

PRODUCT DESCRIPTION

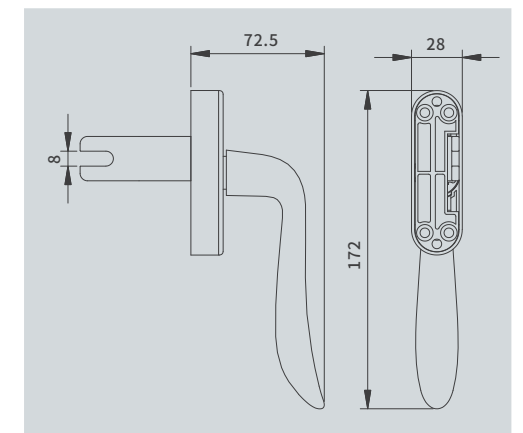
Product Name: Fork handle(With mechanical sound)
 Product Code: ZCH13(Square steel handle: ZCH12)
 Surface treatment: Anodizing
 Applicable system: Casement window
Technical parameters: Tongue length exposed 20-70mm



YH Fashion Silver YH Classical Copper

PRODUCT DESCRIPTION

Product Name: Fork handle
 Product Code: ZCS1512
 Surface treatment: Anodizing
 Applicable system: Casement window
Technical parameters: Tongue length exposed 20-60mm



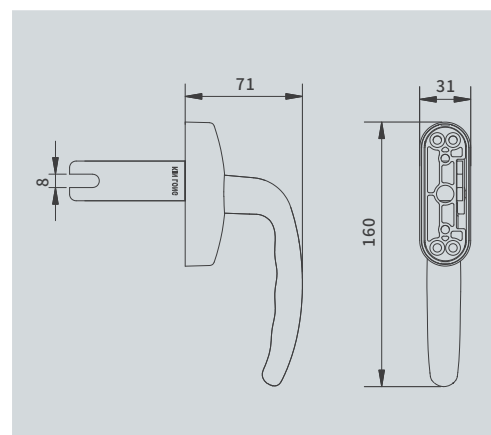


YH Fashion Silver

YH Classical Copper

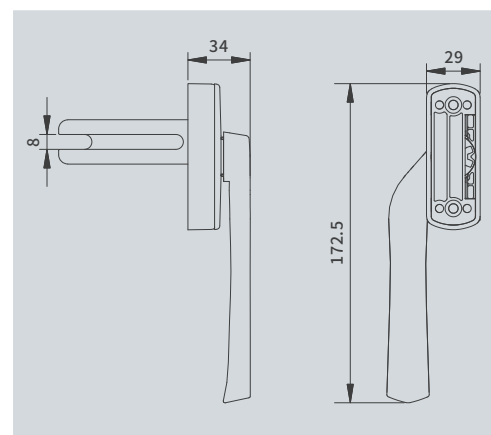
PRODUCT DESCRIPTION

Product Name: Fork handle
 Product Code: ZCZS1621(Square steel handle: ZCZS8620)
 Surface treatment: Anodizing
 Applicable system: Open-out window & casement window
Technical parameters: tongue length exposed 20-70mm square steel exposed L = 20-70mm (take 5 as advanced unit)



PRODUCT DESCRIPTION

Product Name: Fork handle
 Product Code: ZCZS3530-L/R
 Surface treatment: Anodizing
 Applicable system: Screen window & Door & Casement window
Technical parameters: Tongue length exposed 20-70mm



YH Fashion Silver

YH Classical Copper

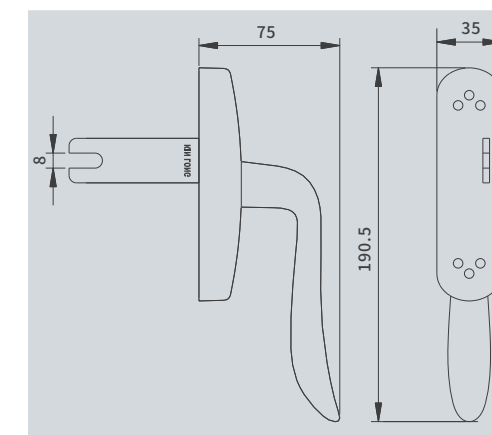


YH Fashion Silver

YH Classical Copper

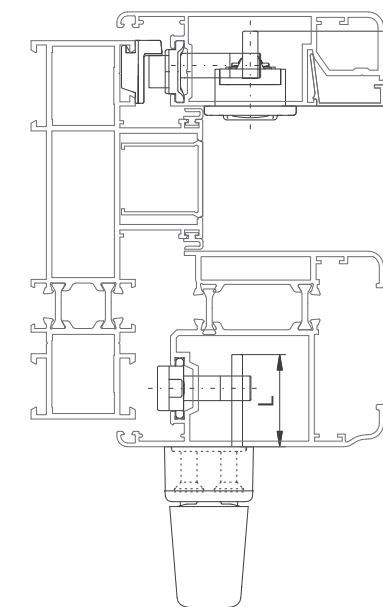
PRODUCT DESCRIPTION

Product Name: Fork handle
 Product Code: ZCZS1720
 Surface treatment: Anodizing
 Applicable system: Open-out window
Technical parameters: Tongue length exposed 20-70mm



Fork handle illustration

Note: Confirm the exposed length L of fork according



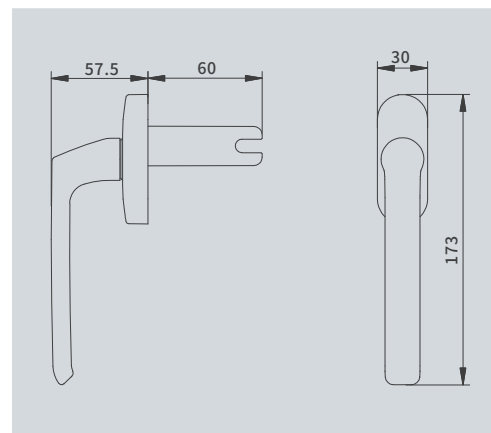


Starry sky gray

Green bronze

PRODUCT DESCRIPTION

Product Name: Fork handle(With mechanical sound)
 Product Code: ZCZS1622
 Surface treatment: Starry sky gray/Green bronze
 Applicable system: Casement window
Technical parameters: Tongue length exposed 60mm

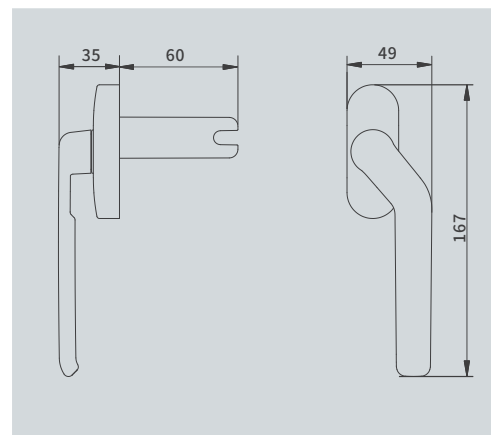


Starry sky gray

Green bronze

PRODUCT DESCRIPTION

Product Name: Fork handle(With mechanical sound)
 Product Code: ZCZS1632-L/R
 Surface treatment: Starry sky gray/Green bronze
 Applicable system: Casement window
Technical parameters: Tongue length exposed 60mm

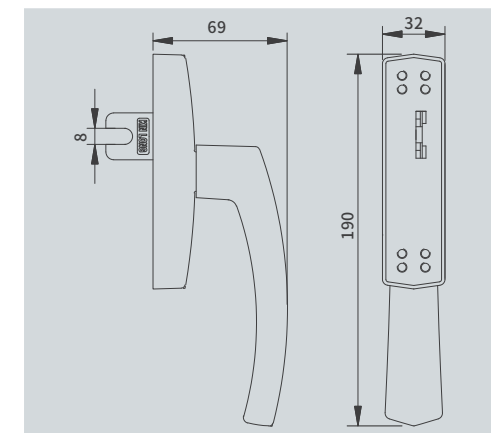


KQ Fashion Silver

KQ Titanium Crystal Grey

PRODUCT DESCRIPTION

Product Name: Fork handle
 Product Code: ZCZS2619
 Surface treatment: Decoration baking
 Applicable system: Open in Window & turn and tilt window
Technical parameters: Tongue length exposed 24mm, 35mm, 46mm

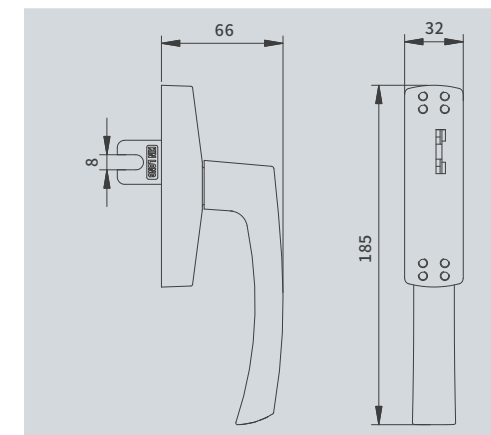


KQ Fashion Silver

KQ Titanium Crystal Grey

PRODUCT DESCRIPTION

Product Name: Fork handle
 Product Code: ZCZS2621
 Surface treatment: Decoration baking
 Applicable system: Open in window & turn and tilt window
Technical parameters: Tongue length exposed 24mm, 35mm, 46mm



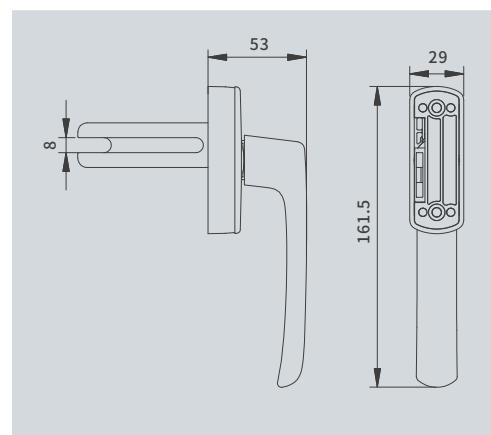


KQ Fashion Silver

KQ Titanium Crystal Grey

PRODUCT DESCRIPTION

Product Name: Fork handle
 Product Code: ZCZS3531
 Surface treatment: Decoration baking
 Applicable system: Casement window
Technical parameters: Tongue length exposed 20-70mm

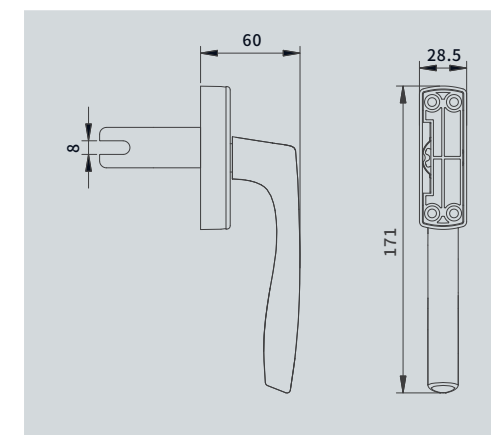


KQ Fashion Silver

KQ Titanium Crystal Grey

PRODUCT DESCRIPTION

Product Name: Fork handle
 Product Code: ZCZS1411
 Surface treatment: Decoration baking
 Applicable system: Casement window
Technical parameters: Tongue length exposed 20-60mm

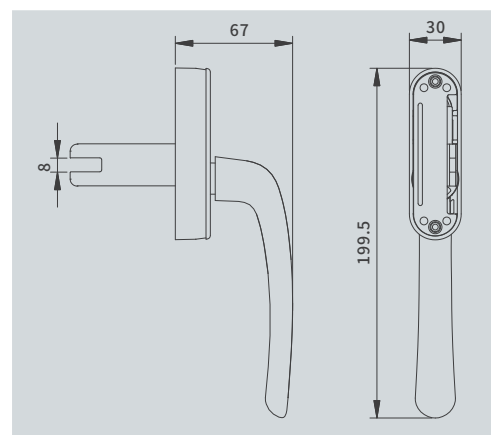


KQ Fashion Silver

KQ Titanium Crystal Grey

PRODUCT DESCRIPTION

Product Name: Fork handle
 Product Code: ZCZS1310S/I
 Surface treatment: Decoration baking
 Applicable system: Casement window
Technical parameters: Tongue length exposed 20-60mm

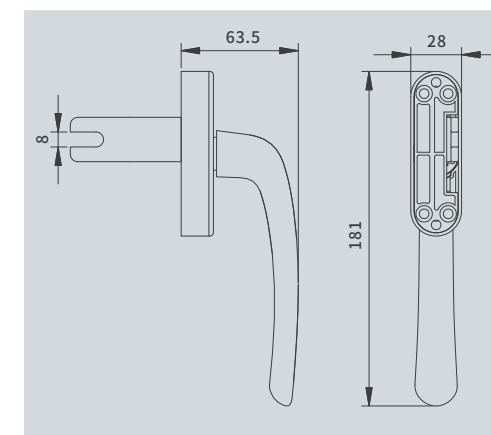


KQ Fashion Silver

KQ Titanium Crystal Grey

PRODUCT DESCRIPTION

Product Name: Fork handle
 Product Code: ZCZS1510
 Surface treatment: Decoration baking
 Applicable system: Casement window
Technical parameters: Tongue length exposed 20-60mm



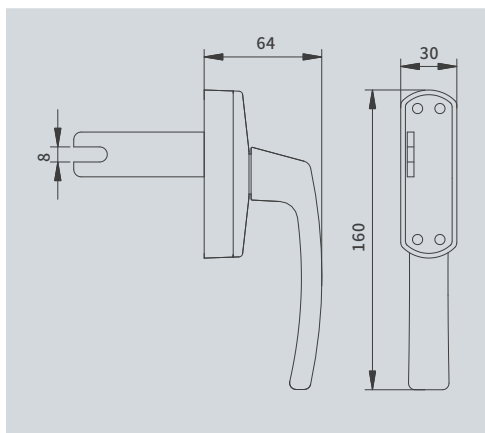


KQ Fashion Silver

KQ Mocha Brown

PRODUCT DESCRIPTION

Product Name: Fork handle
 Product Code: ZCZS1612
 Surface treatment: Decoration baking
 Applicable system: Casement window
Technical parameters: Tongue length exposed 20-60mm

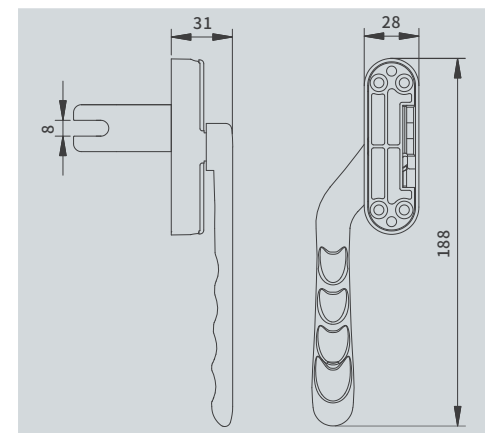


KQ Fashion Silver

KQ Mocha Brown

PRODUCT DESCRIPTION

Product Name: Fork handle
 Product Code: ZCZS1531-L/R
 Surface treatment: Decoration baking
 Applicable system: Casement window
Technical parameters: Tongue length exposed 20-50mm



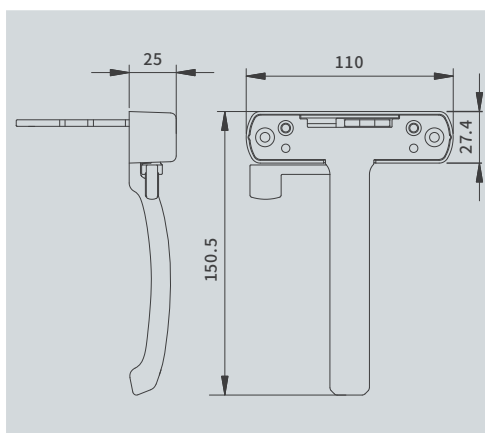
PRODUCT DESCRIPTION



KQ Fashion Silver

KQ Mocha Brown

Product Name: Fork handle
 Product Code: ZCZS1416
 Surface treatment: Decoration baking
 Applicable system: Casement window
Technical parameters: Tongue length exposed 20-60mm

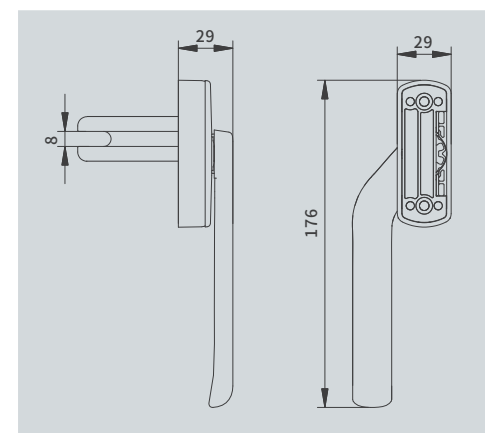


KQ Fashion Silver

KQ Mocha Brown

PRODUCT DESCRIPTION

Product Name: Fork handle
 Product Code: ZCZS4501-L/R
 Surface treatment: Decoration baking
 Applicable system: Casement window
Technical parameters: Tongue length exposed 20-50mm



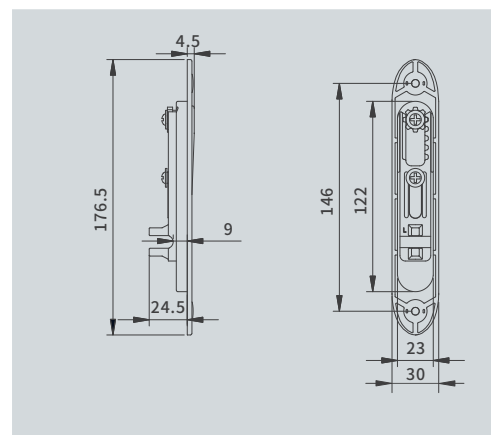


KQ Fashion Silver

KQ Titanium Crystal Grey

PRODUCT DESCRIPTION

Product Name: Concealed handle
 Product Code: ZCZS1521-L/R
 Surface treatment: Decoration baking
 Applicable system: Screen window



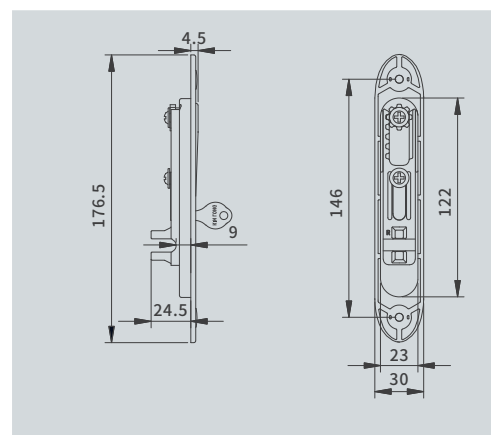
PRODUCT DESCRIPTION

Product Name: Concealed handle(with key)
 Product Code: ZCZS1521S-L/R
 Surface treatment: Decoration baking
 Applicable system: The screen window,one key can open all, and it is recommended to use this style for open-out screen window.



KQ Fashion Silver

KQ Titanium Crystal Grey

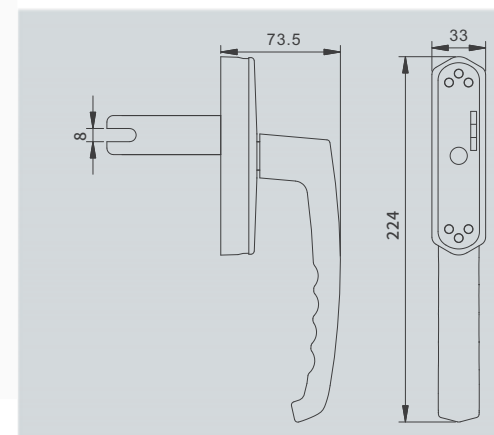


KQ Fashion Silver

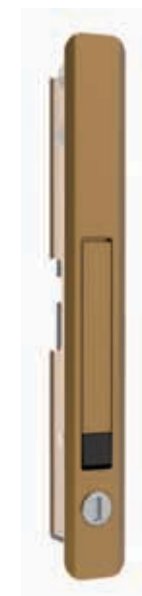
KQ Titanium Crystal Grey

PRODUCT DESCRIPTION

Product Name: Fork handle
 Product Code: ZCZS1615/I(Square steel handle: ZCZS8611)
 Surface treatment: Decoration baking
 Applicable system: Sliding door
Technical parameters: tongue length exposed 20-70mm
square steel exposed L= 20-80mm
(take 5 as advanced unit)



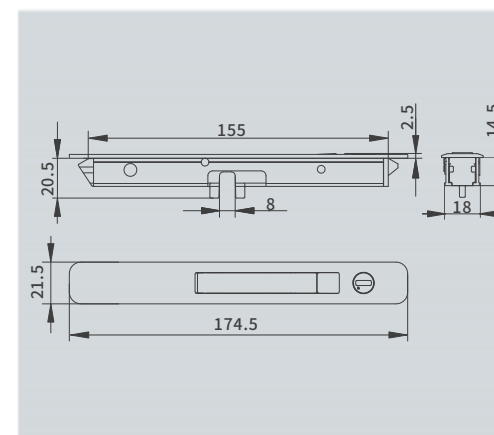
YH Fashion Silver



YH Classical Copper

PRODUCT DESCRIPTION






Product Name: Concealed spring lock
 Product Code: ZCTS20
 Surface treatment: Anodizing
 Applicable system: Narrow side open-in sreen window
Technical parameters: Applicable profile thickness ≥ 15mm





DOOR

HANDLE SERIES

-  Safety
-  Durable
-  Aesthetics
-  Multi-color
-  Original

The picture is only for reference, the product is subject to the actual product

DOOR HANDLE SERIES

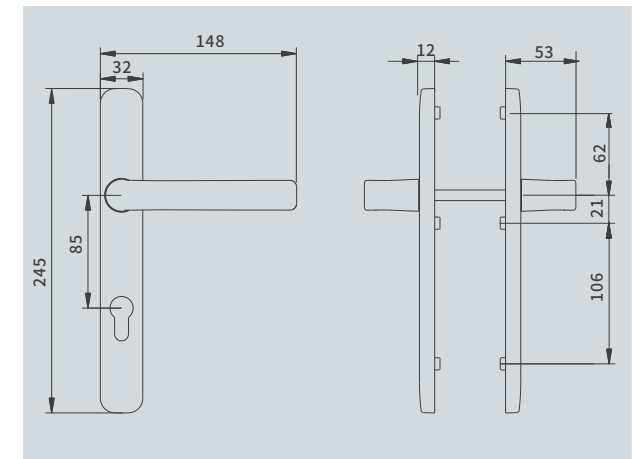
H Series



YH Fashion Silver

PRODUCT DESCRIPTION

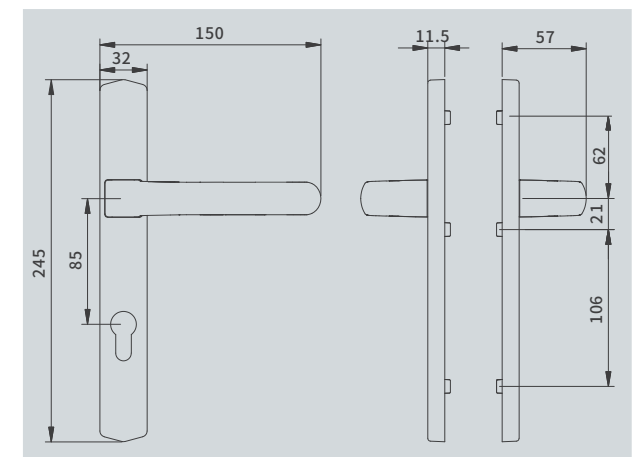
Product Name: Door handle
 Product Code: ZMH31
 (Product code without lock cylinder hole: ZMH31/I)
 Surface treatment: Anodizing
 Applicable system: Casement door
Technical parameters:
 Square steel length is $H+2 * (15\sim 20)$ mm, rounded
 Screw length is $H+(10\sim 15)$ mm, rounded



YH Fashion Silver

PRODUCT DESCRIPTION

Product Name: Door handle
 Product Code: ZMMS1731
 (Product code without lock cylinder hole: ZMMS1731/I)
 Surface treatment: Anodizing
 Applicable system: Casement door
Technical parameters:
 Square steel length is $H+2 * (15\sim 20)$ mm, rounded
 Screw length is $H+(10\sim 15)$ mm, rounded



OPTIONAL COLORS

-  YH Fashion Silver
-  YH Elegant Gold
-  YH Classical Copper

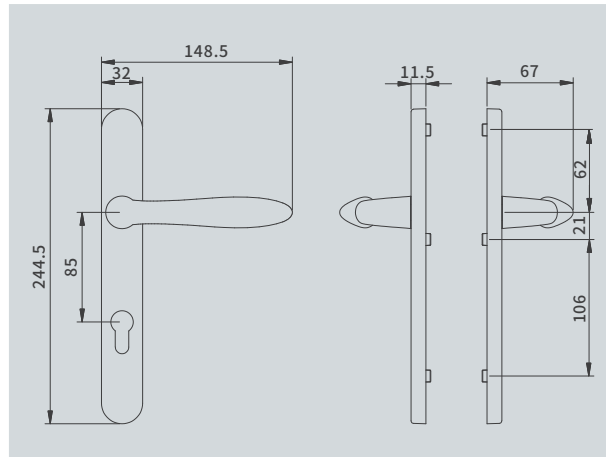
Patented product



YH Fashion Silver

PRODUCT DESCRIPTION

Product Name: Door handle
 Product Code: ZMZS1720
 (Product code without lock cylinder hole: ZMZS1720/I)
 Surface treatment: Anodizing
 Applicable system: Casement door
Technical parameters:
 Square steel length is $H+2 * (15\sim 20)$ mm, rounded
 Screw length is $H+(10\sim 15)$ mm, rounded

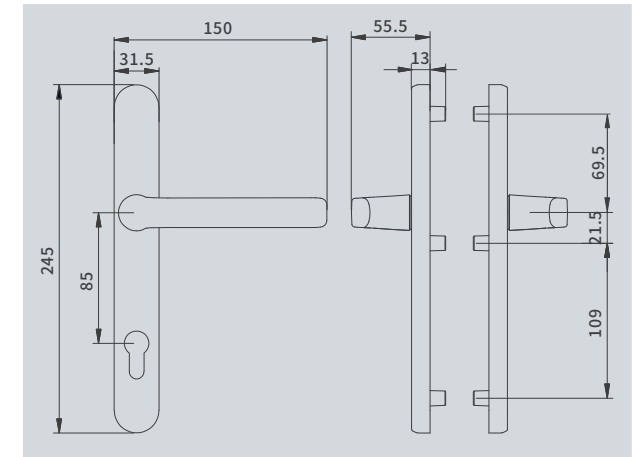


PRODUCT DESCRIPTION

Product Name: Door handle
 Product Code: ZMZS1727
 Surface treatment: Starry sky gray
 Applicable system: Casement door
Technical parameters:
 Square steel length is $H+2 * (15\sim 20)$ mm, rounded
 Screw length is $H+(10\sim 15)$ mm, rounded



Starry sky gray



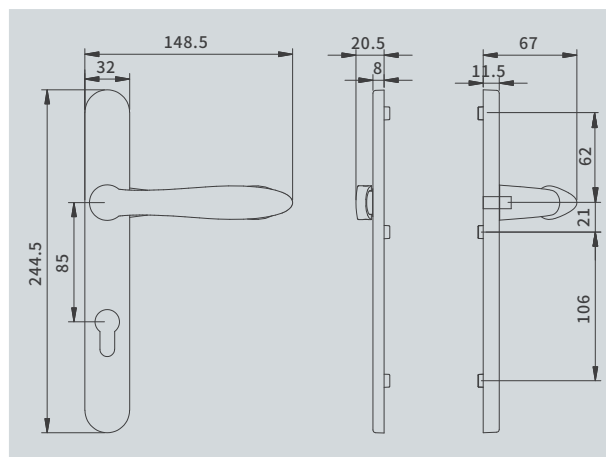
Patented product



YH Fashion Silver

PRODUCT DESCRIPTION

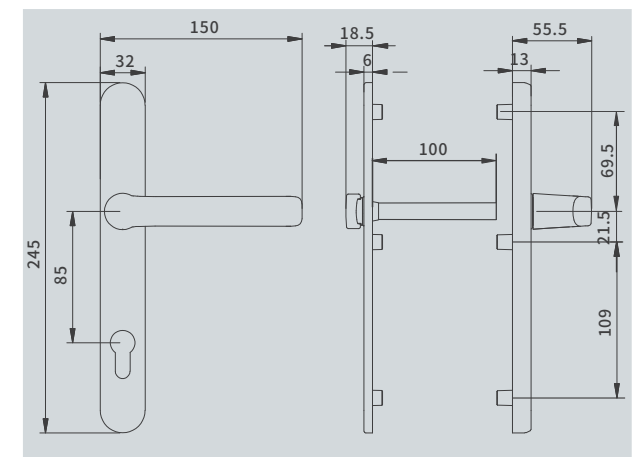
Product Name: Door handle
 Product Code: ZMZS1723
 (Product code without lock cylinder hole: ZMZS1723/I)
 Surface treatment: Anodizing
 Applicable system: Screen door



Starry sky gray

PRODUCT DESCRIPTION

Product Name: Door handle
 Product Code: ZMZS1728
 Surface treatment: Starry sky gray
 Applicable system: Casement door
Technical parameters:
 Spindle length is 100mm, tailored according to needs

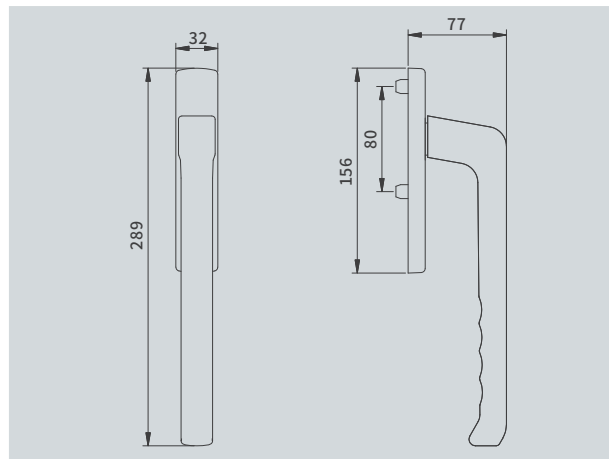


PRODUCT DESCRIPTION



YH Fashion Silver

Product Name: Door handle
 Product Code: ZMZS9710
 Surface treatment: Anodizing
 Applicable system: Lifting and sliding Door
Technical parameters: Inserting depth of square steel is 23-28mm

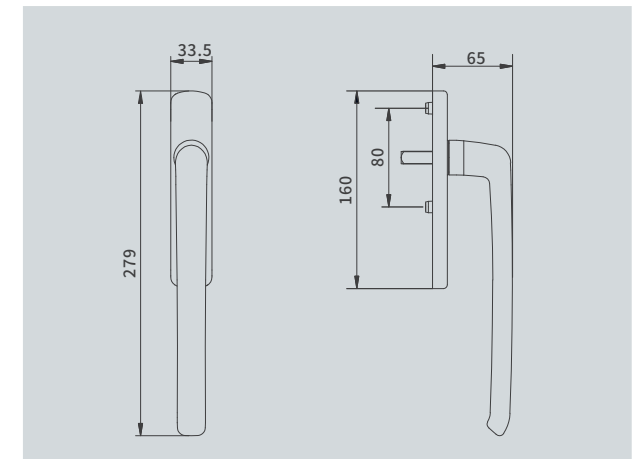


PRODUCT DESCRIPTION



Starry sky gray

Product Name: Door handle
 Product Code: ZMZS9720
 Surface treatment: Starry sky gray
 Applicable system: Lifting and sliding Door
Technical parameters: Square steel exposed is 26mm

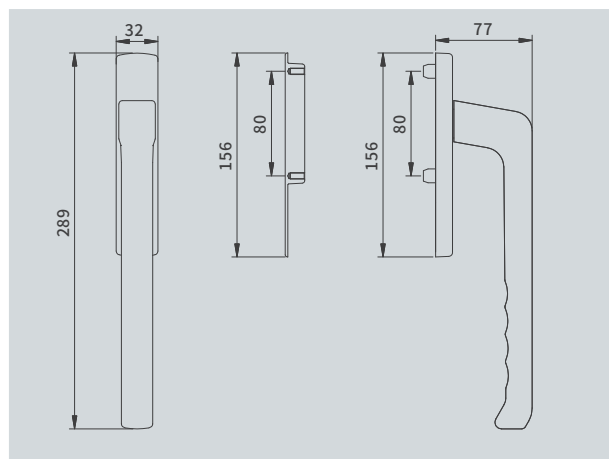


PRODUCT DESCRIPTION



YH Fashion Silver

Product Name: Door handle
 Product Code: ZMZS9711
 Surface treatment: Anodizing
 Applicable system: Lifting and sliding Door
Technical parameters: Inserting depth of square steel is 23-28mm

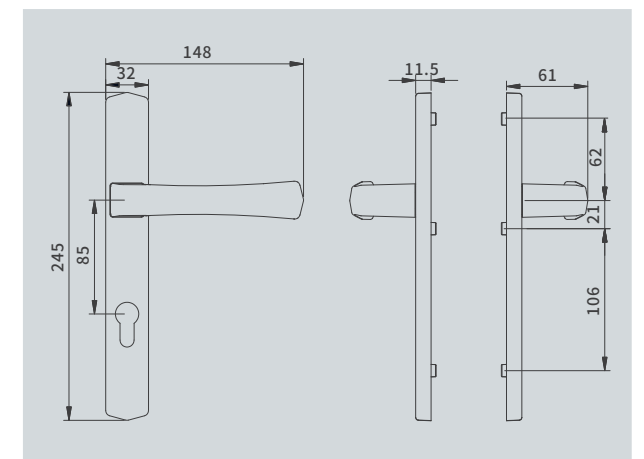


PRODUCT DESCRIPTION



KQ Fashion Silver

Product Name: Door handle
 Product Code: ZMZS1730
 (Product code without lock cylinder hole: ZMZS1730/I)
 Surface treatment: Decoration baking
 Applicable system: Casement door & Sliding and folding Door
Technical parameters:
Square steel length is H+2 * (15~20) mm, rounded
Screw length is H+(10~15) mm, rounded

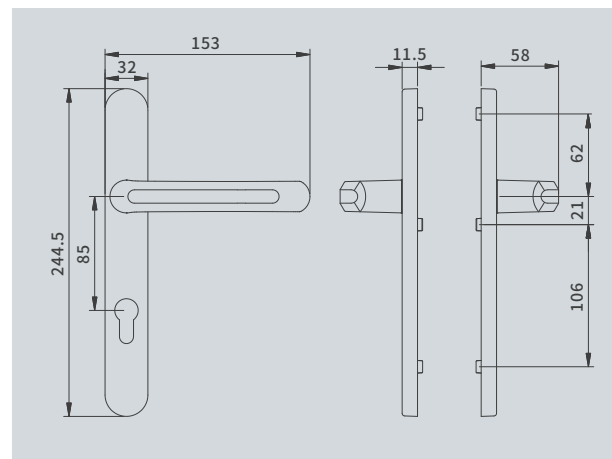




KQ Mocha Brown

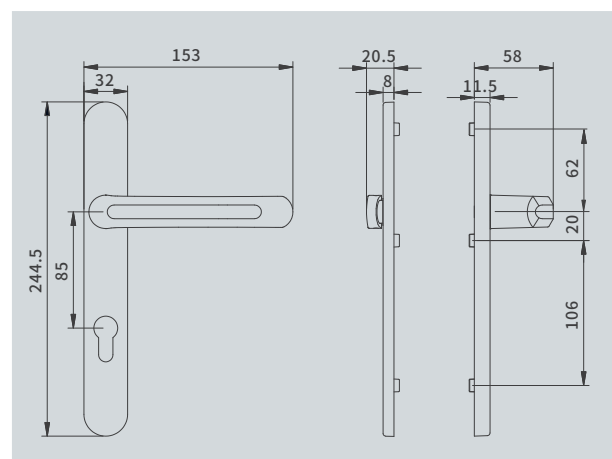
PRODUCT DESCRIPTION

Product Name: Door handle
 Product Code: ZMZS1725
 (Product code without lock cylinder hole: ZMZS1725/I)
 Surface treatment: Decoration baking
 Applicable system: Casement door & Sliding and folding Door
Technical parameters:
 Square steel length is H+2 * (15~20) mm, rounded
 Screw length is H+(10~15) mm, rounded



PRODUCT DESCRIPTION

Product Name: Door handle
 Product Code: ZMZS1726
 (Product code without lock cylinder hole: ZMZS1726/I)
 Surface treatment: Decoration baking
 Applicable system: Screen door



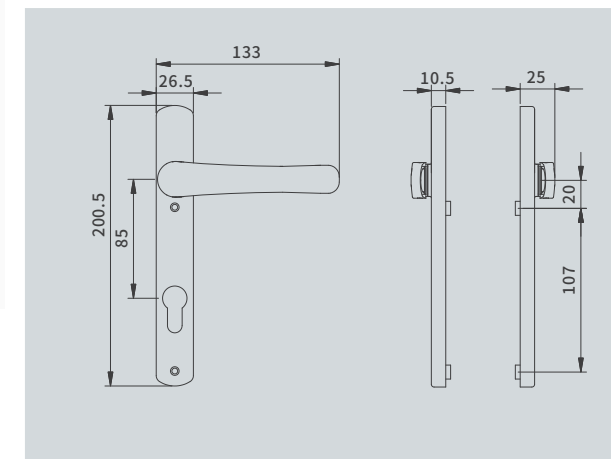
KQ Mocha Brown



KQ Mocha Brown

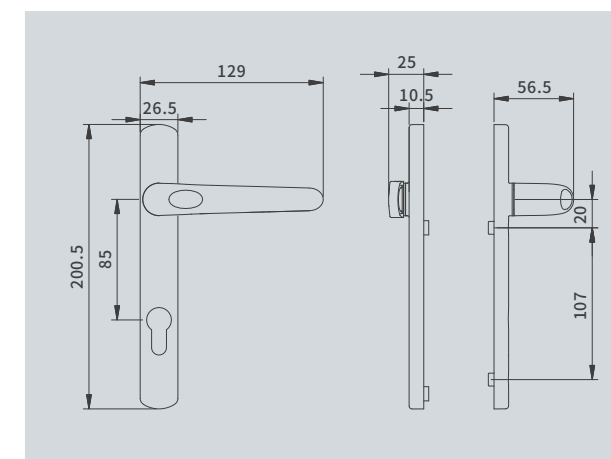
PRODUCT DESCRIPTION

Product Name: Door handle (Left /Right)
 Product Code: ZMZS1311-L/R
 (Product code without lock cylinder hole: ZMZS1311/I-L/R)
 Surface treatment: Decoration baking
 Applicable system: Casement door



PRODUCT DESCRIPTION

Product Name: Door handle (Left /Right)
 Product Code: ZMZS1320-L/R
 (Product code without lock cylinder hole: ZMZS1320/I-L/R)
 Surface treatment: Decoration baking
 Applicable system: Casement door & Sliding and folding Door



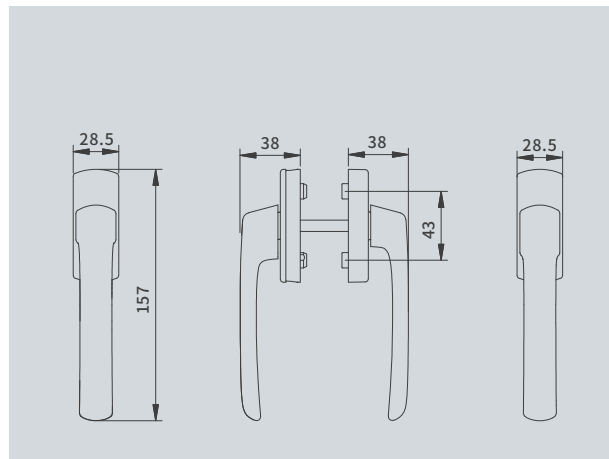
KQ Mocha Brown

PRODUCT DESCRIPTION

Product Name: Door handle
 Product Code: ZMZS8310
 Surface treatment: Decoration baking
 Applicable system: Casement door
Technical parameters: Square steel length = thickness of profile H+(25~30)mm, the length ends with 0 or 5
Screw length = thickness of profile H+15mm, the length ends with 0 or 5, used with transmitter, the square steel size is 7x7



KQ Titanium Crystal Grey

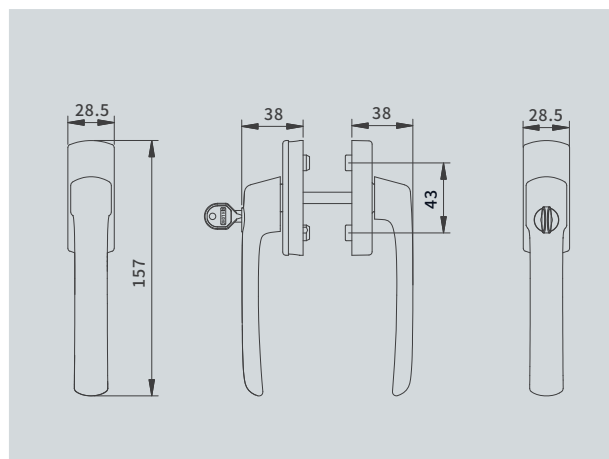


PRODUCT DESCRIPTION

Product Name: Door handle
 Product Code: ZMZS8310S
 Surface treatment: Decoration baking
 Applicable system: Casement door
Technical parameters: Square steel length = thickness of profile H+(25~30)mm, the length ends with 0 or 5
Screw length = thickness of profile H+15mm, the length ends with 0 or 5, used with transmitter, the square steel size is 7x7



KQ Titanium Crystal Grey

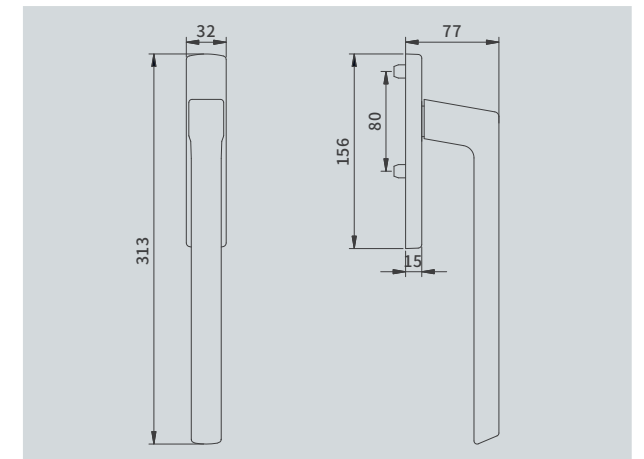


PRODUCT DESCRIPTION

Product Name: Door handle
 Product Code: ZMZS9610
 Surface treatment: Decoration baking
 Applicable system: Lifting and Sliding door
Technical parameters:
The inserting depth of square steel is 23-28mm
Square steel size 10mmx10mm



KQ Fashion Silver

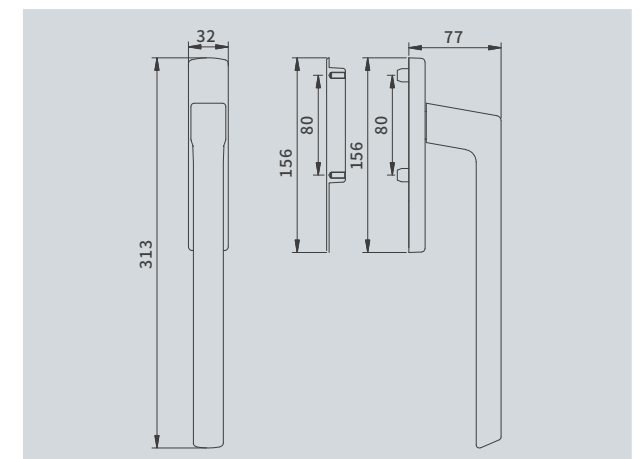


PRODUCT DESCRIPTION

Product Name: Door handle
 Product Code: ZMZS9611
 Surface treatment: Decoration baking
 Applicable system: Lifting and Sliding door
Technical parameters:
The inserting depth of square steel is 23-28mm
Square steel size 10mmx10mm



KQ Fashion Silver

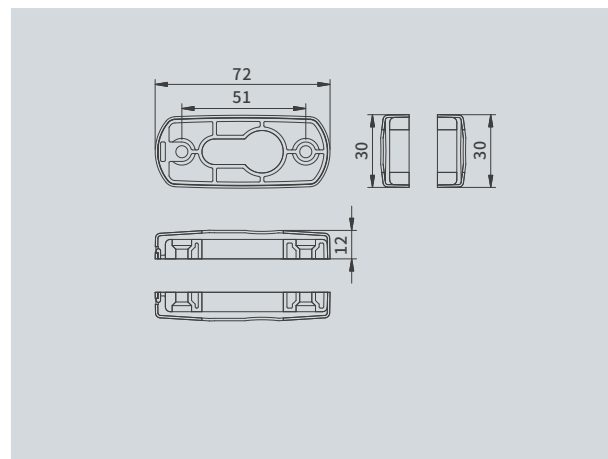


PRODUCT DESCRIPTION

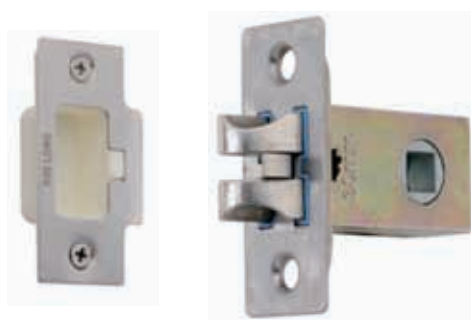


KQ Fashion Silver KQ Classical Copper

Product Name: Cylinder cover
 Product Code: ZSXH20 & ZSXH20-I
 Surface treatment: Anodizing & Decoration baking
 Applicable system: Sliding door
Note: Used with lock cylinder

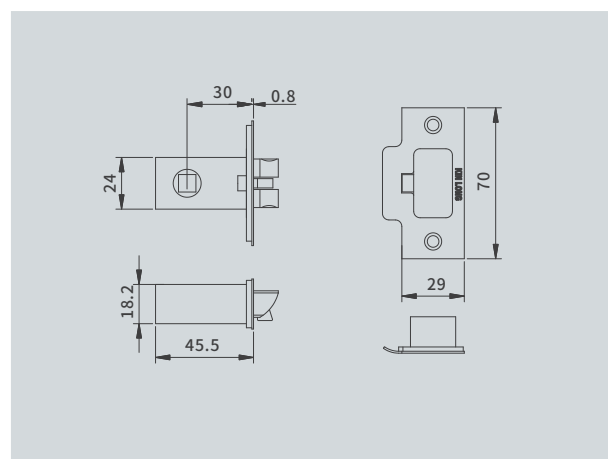


PRODUCT DESCRIPTION

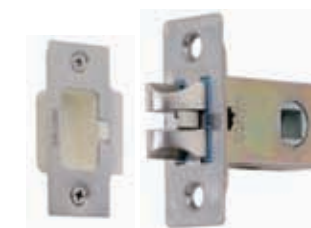


Product name	Product code	Adaptive system	backset
Latch lock	ZMSC3030	Bathroom door	30
Latch lock	ZMSC3530	Bathroom door	35
Latch lock	ZMSC4030	Bathroom door	40

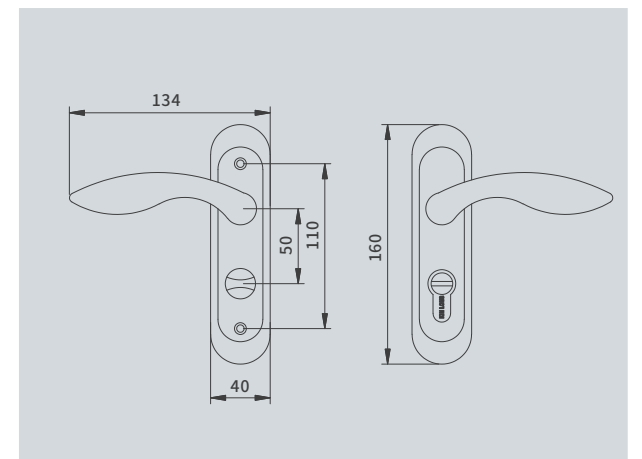
Product Name: Latch lock
 Product Code: ZMSC3030
 Surface treatment: Electroplating
 Applicable system: Bathroom door
Technical parameters: The backset is 30mm



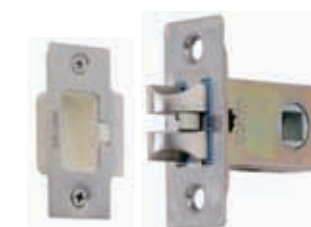
PRODUCT DESCRIPTION



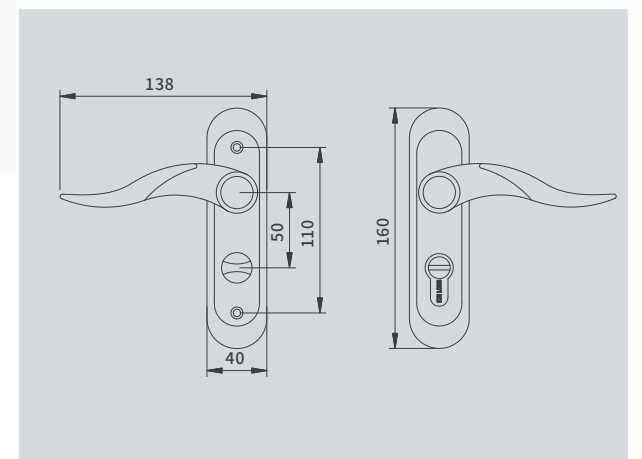
Product Name: Door handle
 Product Code: ZMZS5820T
 Surface treatment: Electronickelling hairline, Electroplate copper ZMZS5820T/I
 Applicable system: Bathroom door
Technical parameters: The thickness of suitable profile is 30-45mm



PRODUCT DESCRIPTION








Product Name: Door handle
 Product Code: ZMZS5821T
 Surface treatment: Electronickelling hairline, Electroplate copper ZMZS5821T/I
 Applicable system: Bathroom door
Technical parameters: The thickness of suitable profile is 30-45mm





HANDLE SERIES

-  Safety
-  Durable
-  Aesthetics
-  Multi-color
-  Original

The picture is only for reference, the product is subject to the actual product

HANDLE SERIES

H Series



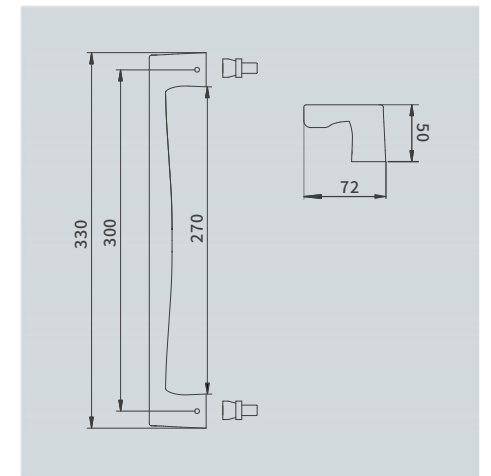
YH Fashion Silver



YH Elegant Gold

PRODUCT DESCRIPTION

Product Name: Handle
 Product Code: ZLH71
 Surface treatment: Anodizing
 Applicable system: Sliding door
Technical parameters:
The central distance is 300mm



Patented product



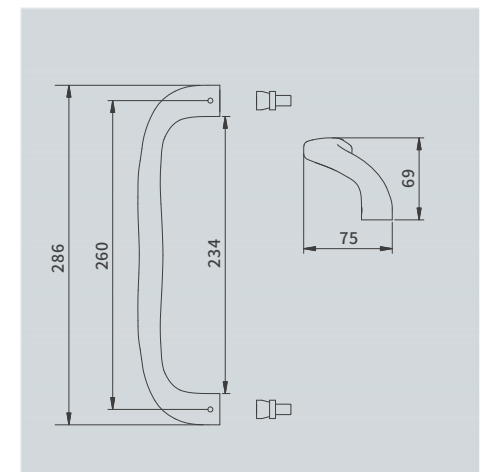
YH Fashion Silver



YH Elegant Gold

PRODUCT DESCRIPTION

Product Name: Handle
 Product Code: ZLSA2130
 Surface treatment: Anodizing
 Applicable system: Sliding door
Technical parameters:
The central distance is 260mm



OPTIONAL COLORS

-  YH Fashion Silver
-  YH Elegant Gold
-  YH Classical Copper

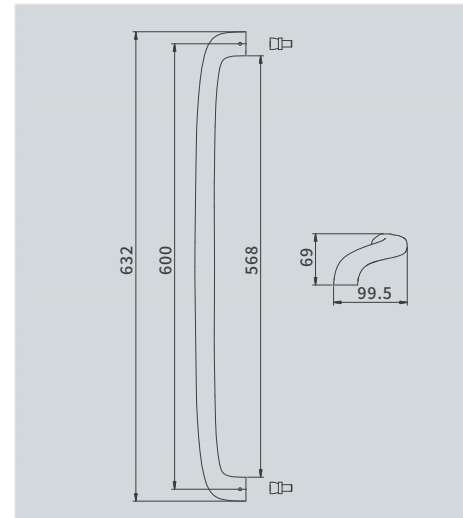


YH Fashion Silver

YH Classical Copper

PRODUCT DESCRIPTION

Product Name: Handle
 Product Code: ZLSA3130
 Surface treatment: Anodizing
 Applicable system: Sliding door
Technical parameters:
The central distance is 600mm



Patented product

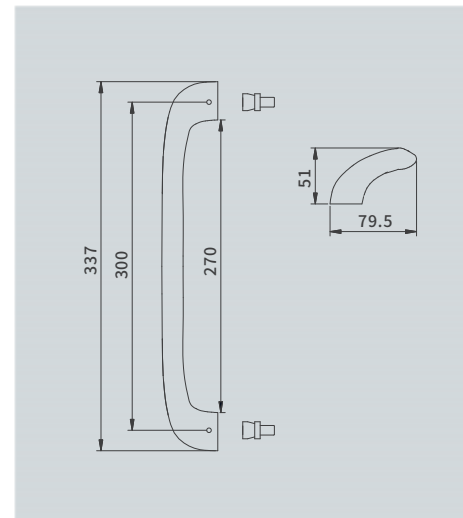


YH Fashion Silver

YH Classical Copper

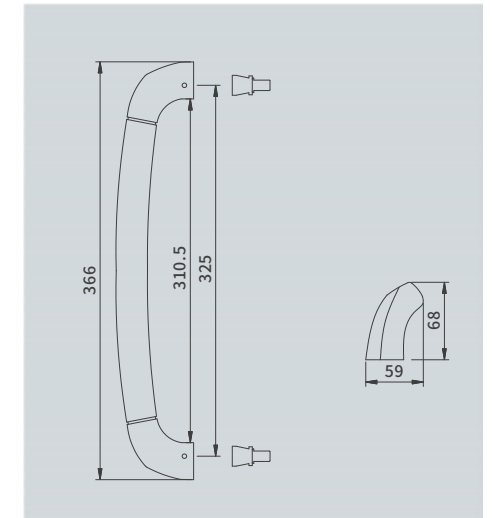
PRODUCT DESCRIPTION

Product Name: Handle
 Product Code: ZLSA2131
 Surface treatment: Anodizing
 Applicable system: Sliding door
Technical parameters:
The central distance is 300mm



PRODUCT DESCRIPTION

Product Name: Handle
 Product Code: ZLSA31
 Surface treatment: Stainless steel matt
 Applicable system: Sliding door
Technical parameters:
The central distance is 325mm

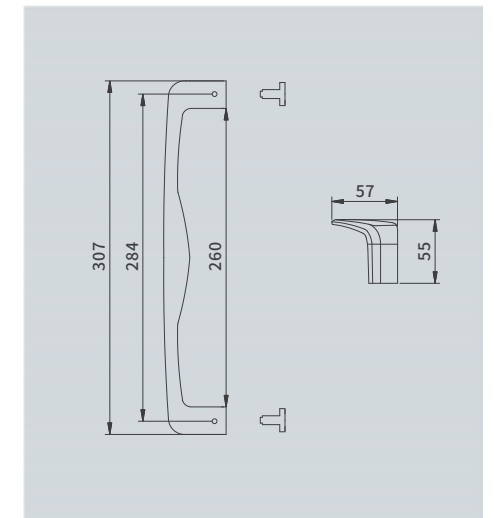


KQ Fashion Silver

KQ Classical Copper

PRODUCT DESCRIPTION

Product Name: Handle
 Product Code: ZLSA20
 Surface treatment: Decoration baking
 Applicable system: Sliding door
Technical parameters:
The central distance is 284mm



SLIDING LOCK SERIES



The picture is only for reference, the product is subject to the actual product

SLIDING LOCK SERIES

H Series

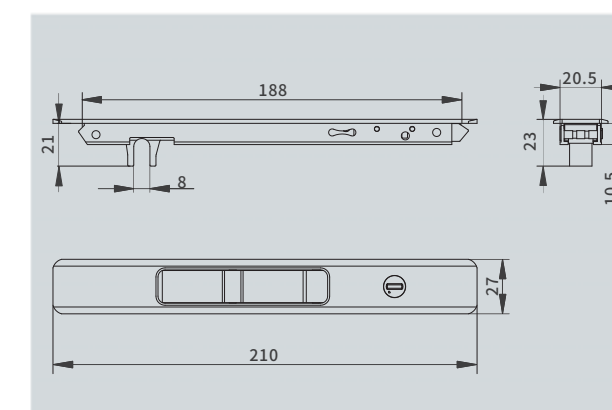


YH Fashion Silver

YH Classical Copper

PRODUCT DESCRIPTION

Product Name: Sliding lock
 Product Code: ZTH91
 Surface treatment: Anodizing
 Applicable system: Sliding
Technical parameters:
The thickness of adaptive profile is 25-35mm



H Series

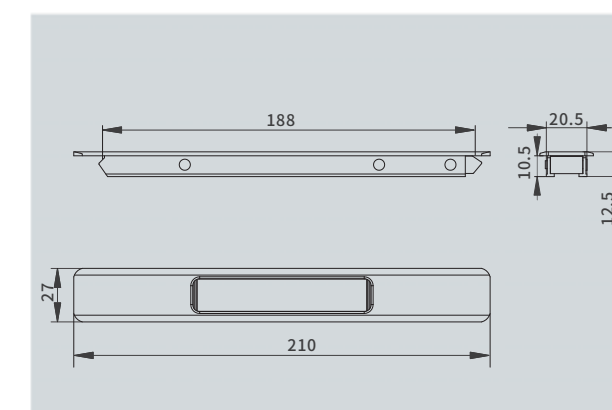


YH Fashion Silver

YH Classical Copper

PRODUCT DESCRIPTION

Product Name: Hand catch
 Product Code: ZTH91-W
 Surface treatment: Anodizing
 Applicable system: Sliding door

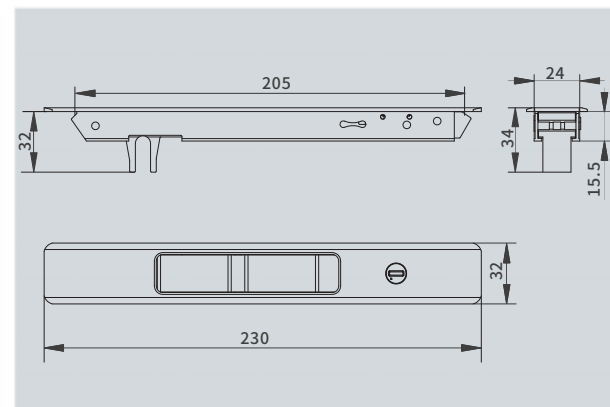


H Series



PRODUCT DESCRIPTION

Product Name: Sliding lock
 Product Code: ZTH92
 Surface treatment: Anodizing
 Applicable system: Sliding
Technical parameters:
The thickness of adaptive profile is 35-55mm



YH Fashion Silver

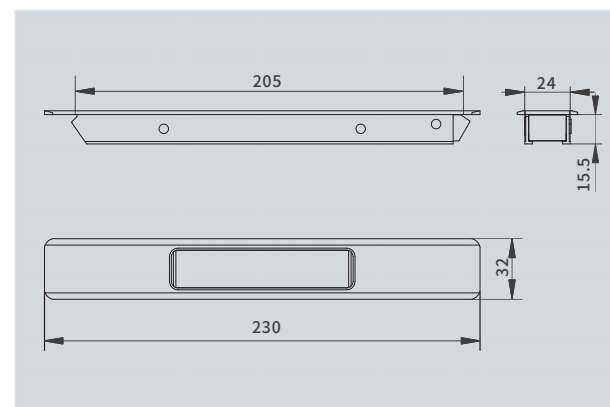
YH Elegant Gold

H Series



PRODUCT DESCRIPTION

Product Name: Sliding lock
 Product Code: ZTL92-W
 Surface treatment: Anodizing
 Applicable system: Sliding door



YH Fashion Silver

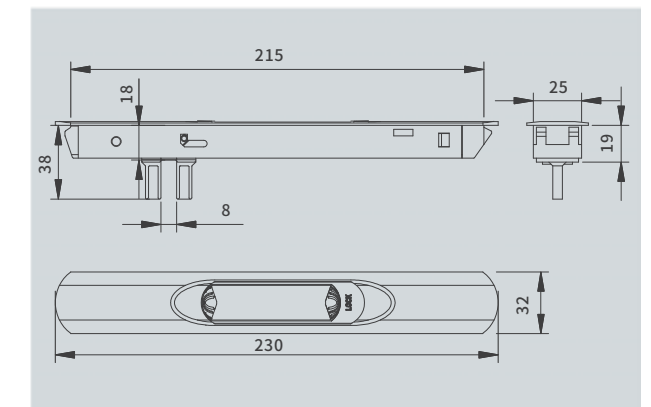
YH Elegant Gold

Patented product



PRODUCT DESCRIPTION

Product Name: Sliding lock
 Product Code: ZTLS1510
 Surface treatment: Anodizing
 Applicable system: Sliding
Technical parameters:
The minimum thickness of adaptive profile is 45mm



YH Fashion Silver

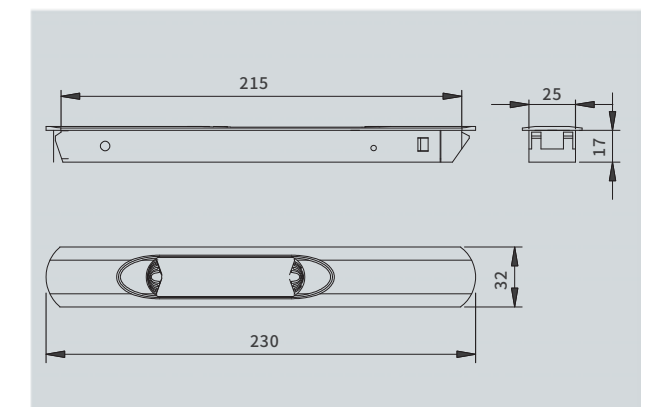
YH Elegant Gold

Patented product



PRODUCT DESCRIPTION

Product Name: Hand catch
 Product Code: ZTLS1510-W
 Surface treatment: Anodizing
 Applicable system: Sliding door



YH Fashion Silver

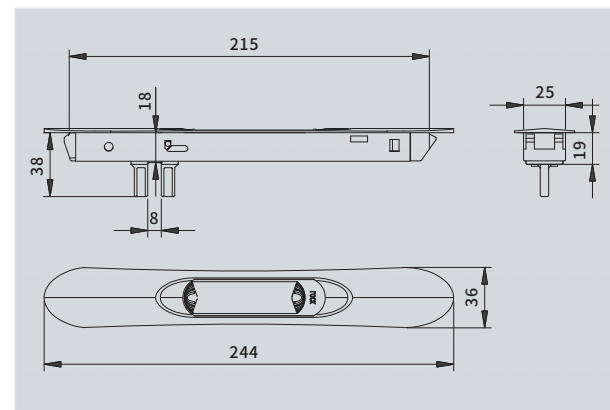
YH Elegant Gold

Patented product



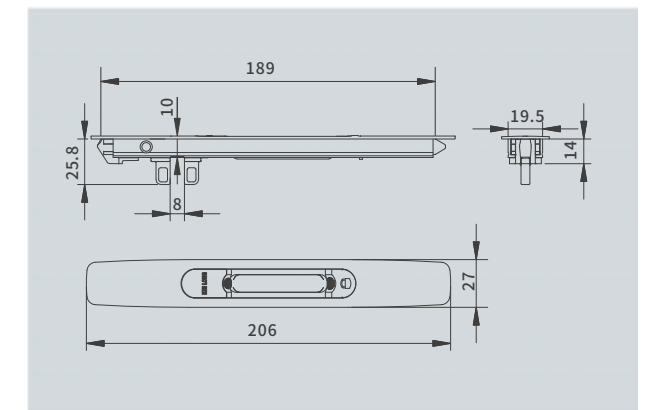
PRODUCT DESCRIPTION

Product Name: Sliding lock
 Product Code: ZTLS1520
 Surface treatment: Anodizing
 Applicable system: Sliding
Technical parameters:
The minimum thickness of adaptive profile is 45mm



PRODUCT DESCRIPTION

Product Name: Sliding lock
 Product Code: ZTLS1320
 with key code is ZTLS1320S
 Surface treatment: Decorative baking
 Applicable system: Sliding
Technical parameters:
The minimum thickness of adaptive profile is 30mm

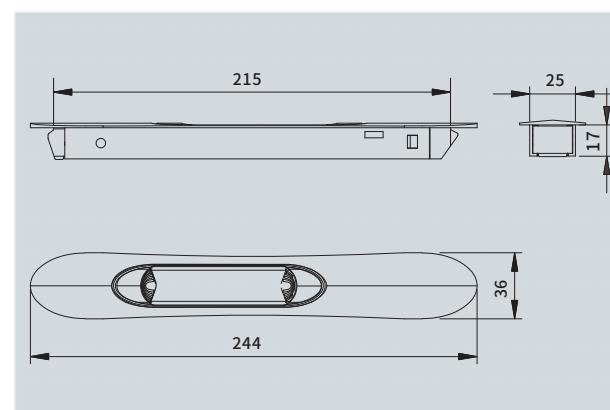


Patented product



PRODUCT DESCRIPTION

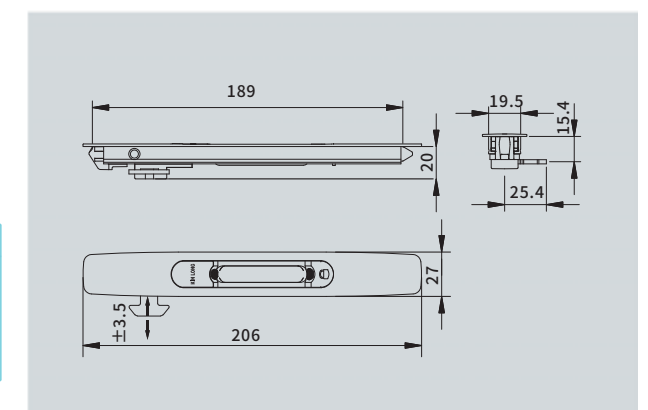
Product Name: Hand catch
 Product Code: ZTLS1520-W
 Surface treatment: Anodizing
 Applicable system: Sliding door

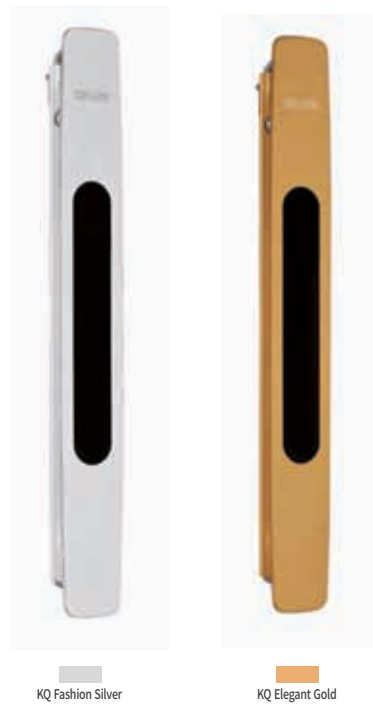


PRODUCT DESCRIPTION

Product Name: Sliding lock
 Product Code: ZTLS2320(Automatic lock code: ZTLS2320K)
 with key code is ZTLS2320S
 Automatic lock code: ZTLS2320SK
 Surface treatment: Decorative baking
 Applicable system: Sliding
Technical parameters:
The minimum thickness of adaptive profile is 30mm

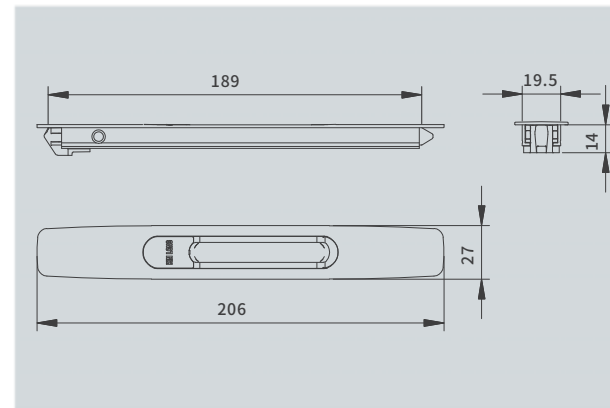
ZTLS2320-02	ZTLS2320-03
6.5	6.5
24.5	24.5
22	22
5.4	5.5





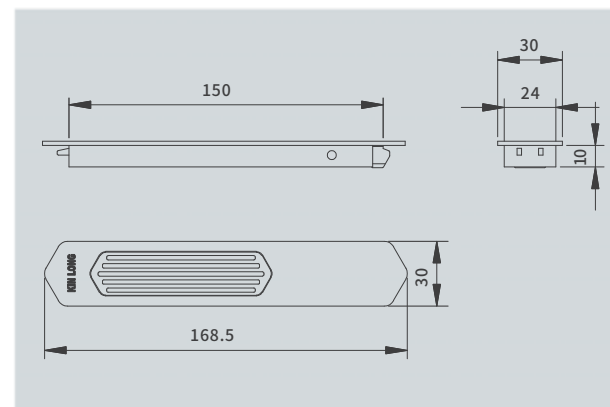
PRODUCT DESCRIPTION

Product Name: Hand catch
 Product Code: ZTLS1320-W
 Surface treatment: Decoration baking
 Applicable system: Sliding door



PRODUCT DESCRIPTION

Product Name: Hand catch
 Product Code: ZCZS1615/II
 Surface treatment: Decoration baking
 Applicable system: Sliding door



HINGE SERIES

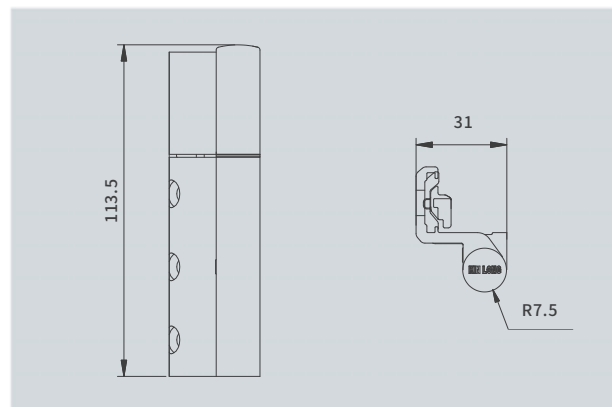




KQ Fashion Silver

PRODUCT DESCRIPTION

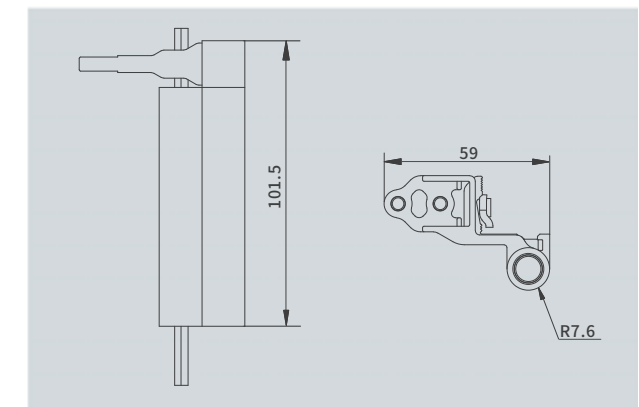
Product Name: Window hinge
 Product Code: ZCHY181-L/ R
 Surface treatment: Decoration baking
 Applicable system: Turn & Tilt window
Technical parameters: Maximum bearing 90kg / 2pcs
Hinge channel: 4-5mm, It is matched with ZCHY182-L/R.



KQ Fashion Silver

PRODUCT DESCRIPTION

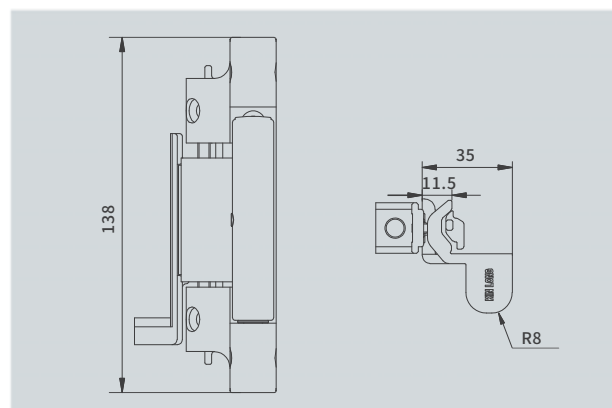
Product Name: Window hinge
 Product Code: ZCHY183-L/ R
 Surface treatment: Decoration baking
 Applicable system: Turn & Tilt window
Technical parameters: Maximum bearing 100kg / 2pcs
Hinge channel: 4-5mm, It is matched with ZCHY184-L/R.



KQ Fashion Silver

PRODUCT DESCRIPTION

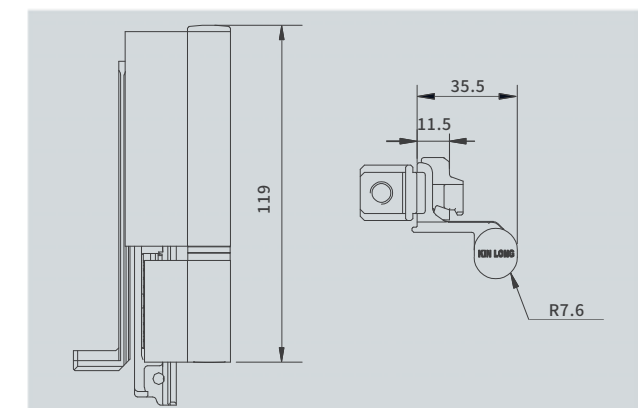
Product Name: Window hinge
 Product Code: ZCHY182-L/ R
 Surface treatment: Decoration baking
 Applicable system: Turn & Tilt window
Technical parameters: Maximum bearing 90kg / 2pcs
Hinge channel: 4-5mm, It is matched with ZCHY181-L/R.



KQ Fashion Silver

PRODUCT DESCRIPTION

Product Name: Window hinge
 Product Code: ZCHY184-L/ R
 Surface treatment: Decoration baking
 Applicable system: Turn & Tilt window
Technical parameters: Maximum bearing 100kg / 2pcs
Hinge channel: 4-5mm, It is matched with ZCHY183-L/R.

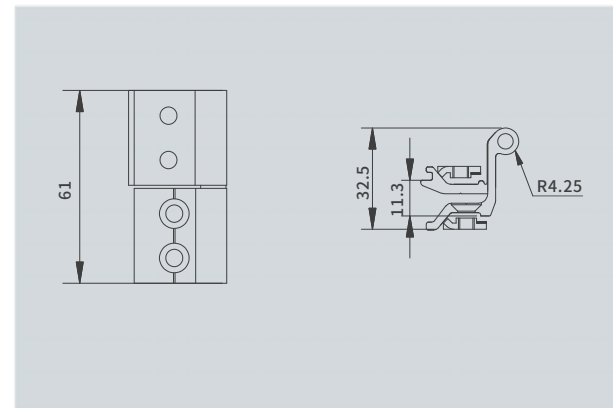


PRODUCT DESCRIPTION



KQ Fashion Silver

Product Name: Window hinge
 Product Code: ZCHY113-L/R
 Surface treatment: Decoration baking
 Applicable system : Open-in Screen window
Technical parameters: Maximum load 10kg / 2pcs
Hinge channel: 3.5-5mm

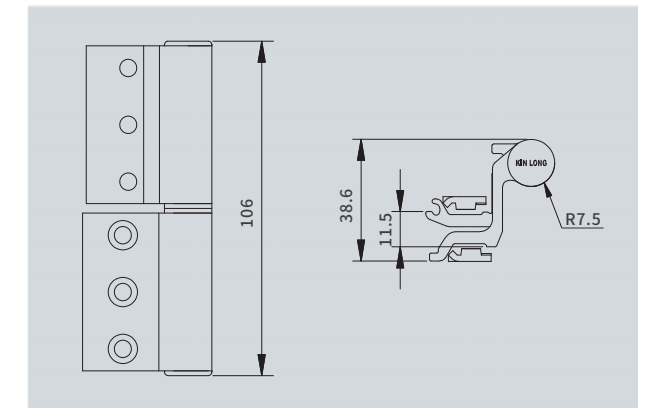


PRODUCT DESCRIPTION



KQ Fashion Silver

Product Name: Window hinge
 Product Code: ZCHY115-L/R
 Surface treatment: Decoration baking
 Applicable system: Open in window
Technical parameters: Maximum load 55kg / 2pcs
Hinge channel: 3.5-5mm

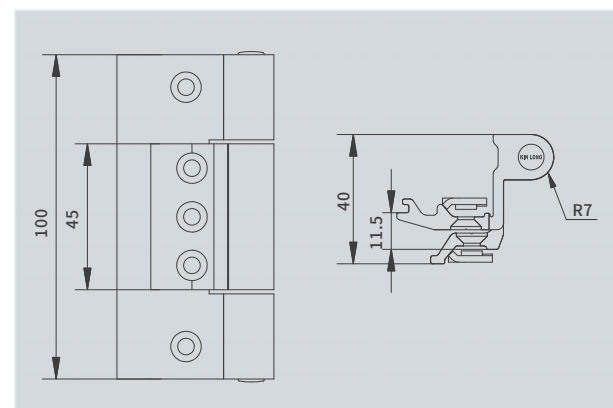


PRODUCT DESCRIPTION



KQ Fashion Silver

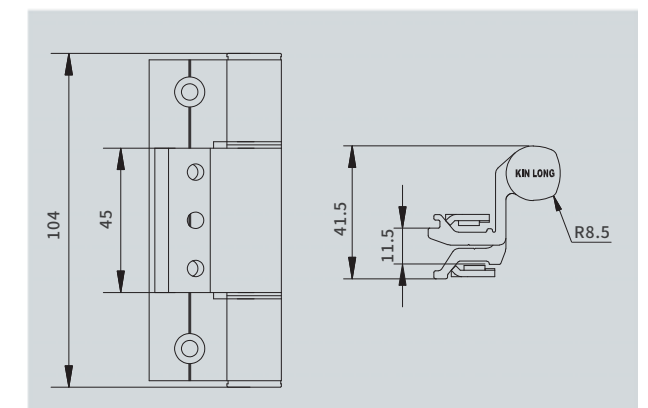
Product Name: Window hinge
 Product Code: ZCHY114
 Surface treatment: Decoration baking
 Applicable system: Open in window(23 / 27 groove)
Technical parameters: Maximum load 60kg / 2pcs
Hinge channel: 3.5-5mm



KQ Fashion Silver

PRODUCT DESCRIPTION

Product Name: Window hinge
 Product Code: ZCHY145
 Surface treatment: Decoration baking
 Applicable system: Open in window
Technical parameters: Maximum load 80kg / 2pcs
Hinge channel: 3.5-5mm

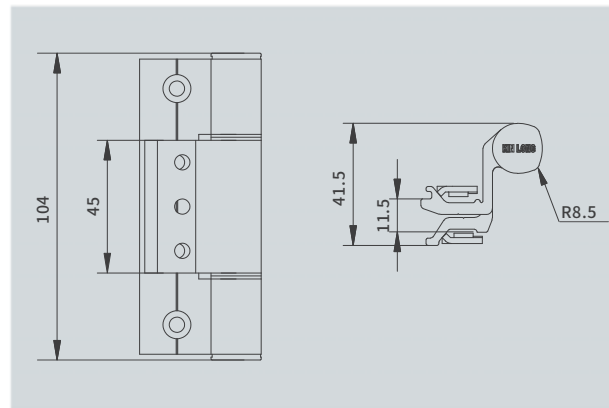


PRODUCT DESCRIPTION



YH Fashion Silver

Product Name: Window hinge
 Product Code: ZCHY112
 Surface treatment: Anodizing
 Applicable system: Open in window
Technical parameters: Maximum load 80kg / 2pcs
Hinge channel: 3.5-5mm

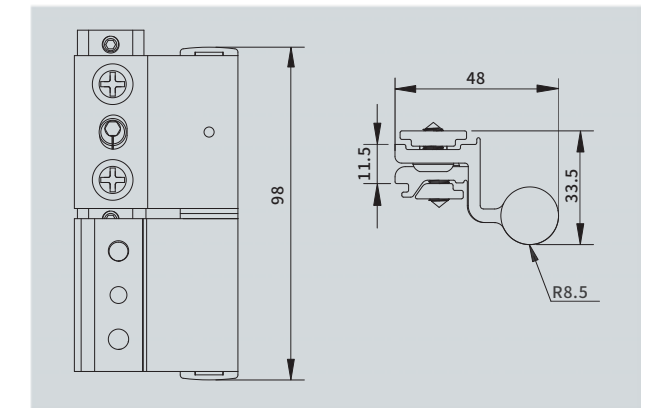


PRODUCT DESCRIPTION



YH Fashion Silver

Product Name: Window hinge
 Product Code: ZCHY146-L/R
 Surface treatment: Anodizing
 Applicable system: Open-in casement window which frame flush sash
Technical parameters: Maximum load 60kg / 2pcs
Hinge channel: 3.5-5mm

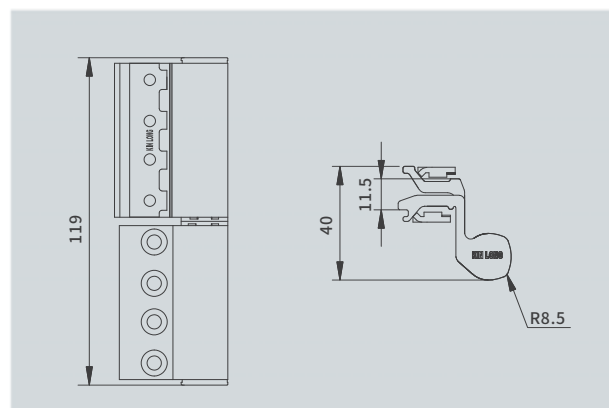


PRODUCT DESCRIPTION



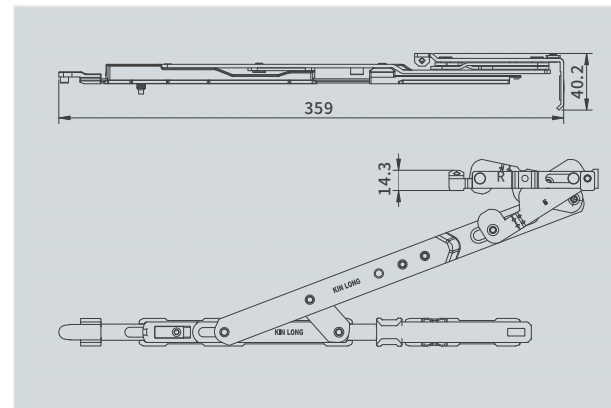
YH Fashion Silver

Product Name: Window hinge
 Product Code: ZCHY143-L/R
 Surface treatment: Anodizing
 Applicable system: Open in window
Technical parameters: Maximum load 60kg / 2pcs
Hinge channel: 3.5-5mm



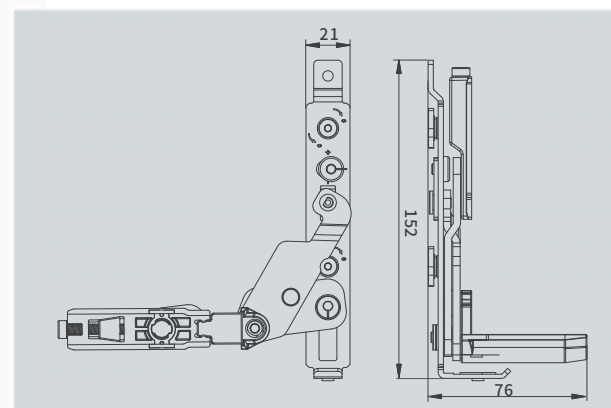
PRODUCT DESCRIPTION

Product Name: Concealed window hinge
 Product Code: ZCHY845-L/R
 23/27 groove, Product code: ZCHY845K-L/R
 Surface treatment: Satin
 Applicable system: Turn & Tilt window
Technical parameters: Maximum load 90kg
It is matched with ZCHY846-L/R



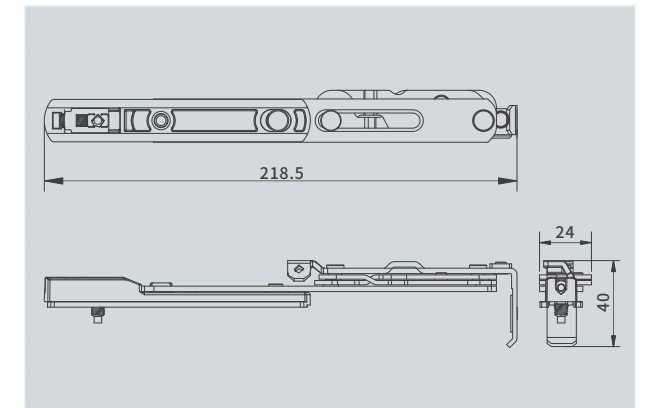
PRODUCT DESCRIPTION

Product Name: Concealed window hinge
 Product Code: ZCHY846-L/R
 23/27 groove, Product code: ZCHY846K-L/R
 Surface treatment: Satin
 Applicable system: Turn & Tilt window & Open in window
Technical parameters: Maximum load 90kg
It is matched with ZCHY845-L/R



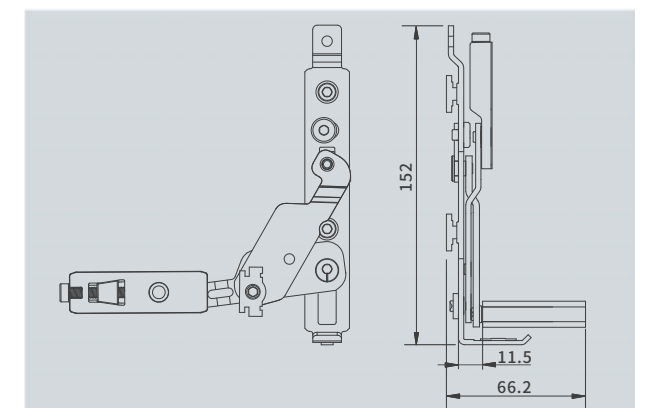
PRODUCT DESCRIPTION

Product Name: Concealed window hinge
 Product Code: ZCHY843-L/R
 Surface treatment: Satin
 Applicable system: Open in window
Technical parameters: Maximum load 90kg
It is matched with ZCHY846-L/R



PRODUCT DESCRIPTION

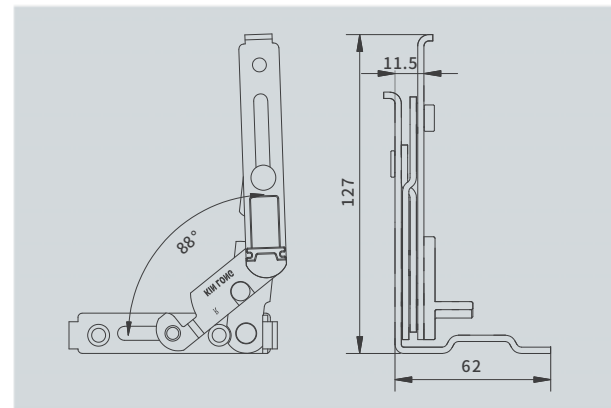
Product Name: Concealed window hinge
 Product Code: ZCHY849-L/R
 Surface treatment: Satin
 Applicable system: Open in window
Technical parameters: The maximum load-bearing capacity is 60kg, used in complete sets (one left and one right), window specifications: 750×1200 (sash width×sash height) Opening angle 100°





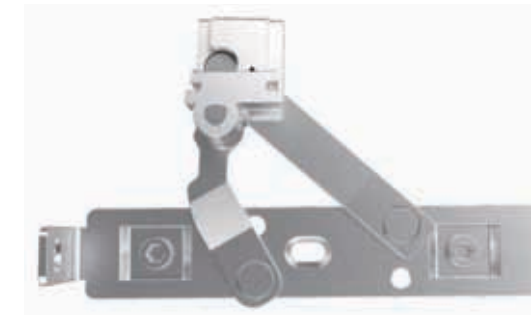
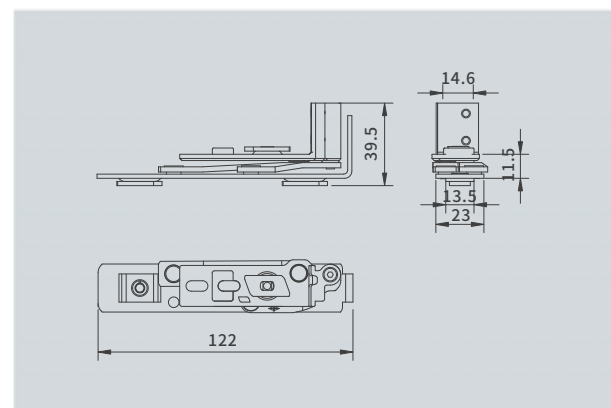
PRODUCT DESCRIPTION

Product Name: Concealed open-in screen window hinge
 Product Code: ZCHY810A-L/R
 Surface treatment: Satin
 Applicable system: Screen window(When the hinge is used in open-out screen window, it must be used together with the pegstay/ limiter)
Technical parameters: Maximum load 15kg



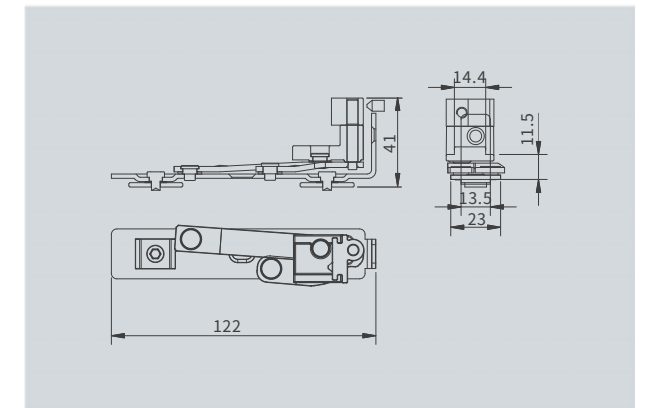
PRODUCT DESCRIPTION

Product Name: Concealed open-in screen window hinge
 Product Code: ZCHY812-L/R
 23/27 groove, Product code: ZCHY812K-L/R
 Surface treatment: Satin
 Applicable system: Open-in screen window
Technical parameters: Maximum load 10kg



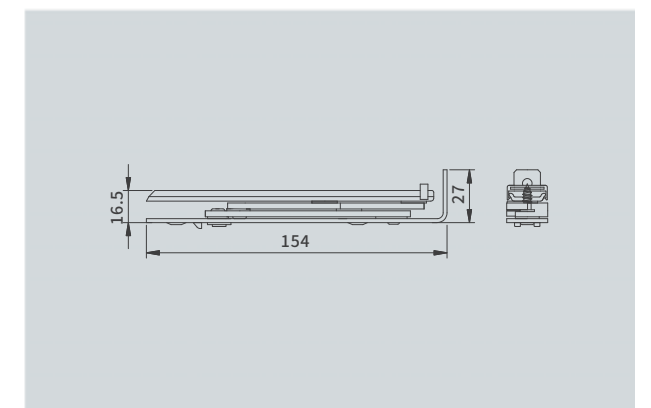
PRODUCT DESCRIPTION

Product Name: Concealed open-in screen window hinge
 Product Code: ZCHY813-L/R
 23/27 groove, Product code: ZCHY813K-L/R
 Surface treatment: Satin
 Applicable system: Open-in screen window
**Technical parameters: Maximum load 10kg ,
 Quick disassembly and assembly**



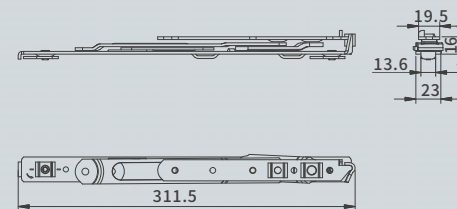
PRODUCT DESCRIPTION

Product Name: Concealed open-in screen window hinge
 Product Code: ZCHY820-L/R
 Surface treatment: Stainless steel matt
 Applicable system: Open-in screen window
**Technical parameters: Maximum load 10kg
 Open 180 degrees**



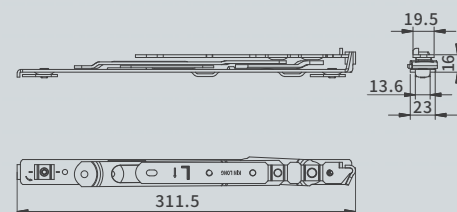
PRODUCT DESCRIPTION

Product Name: Friction stay
 Product Code: ZJLA21S-L/R
 23/27 groove, Product code: ZJLA21SK-L/R
 Surface treatment: Satin
 Applicable system: Open-out side hung window
 (Use with anti-drop device, please close the window in bad weather)
Technical parameters: Maximum load 60kg (When the window specification exceeds the standard, this bearing is no longer applicable) Can meet the different size of the window, Aash width × Aash height: 600×1200(mm)



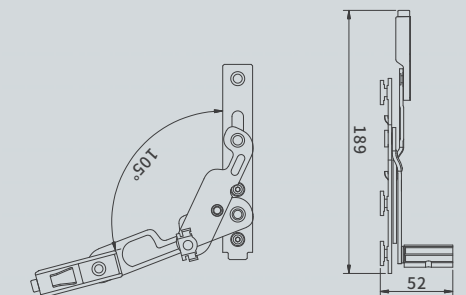
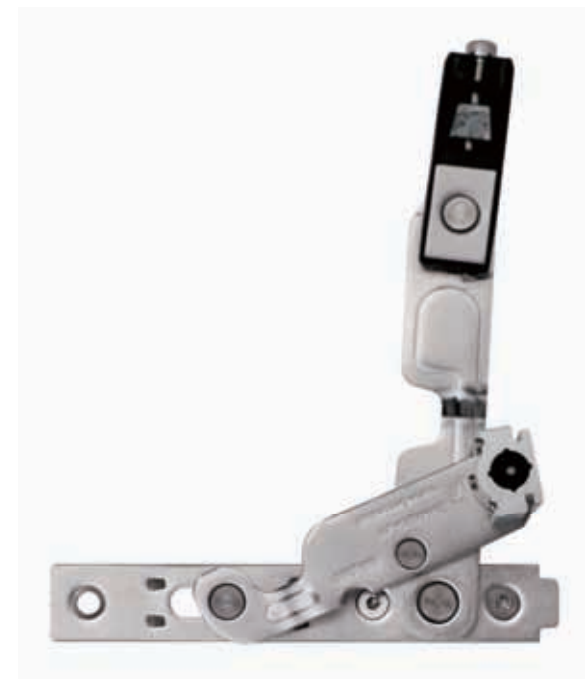
PRODUCT DESCRIPTION

Product Name: Low-friction hinge
 Product Code: ZJLB10-L/R
 Surface treatment: Stainless steel matt
 Applicable system: Fire-resistant top hung window
Technical parameters: Maximum load 60kg, Must be used in conjunction with other accessories.



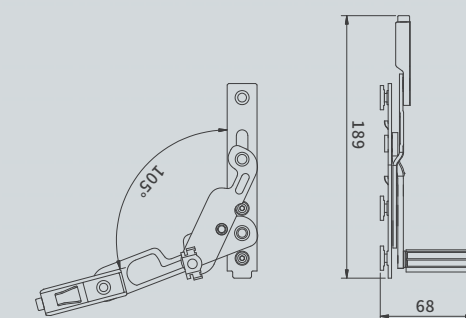
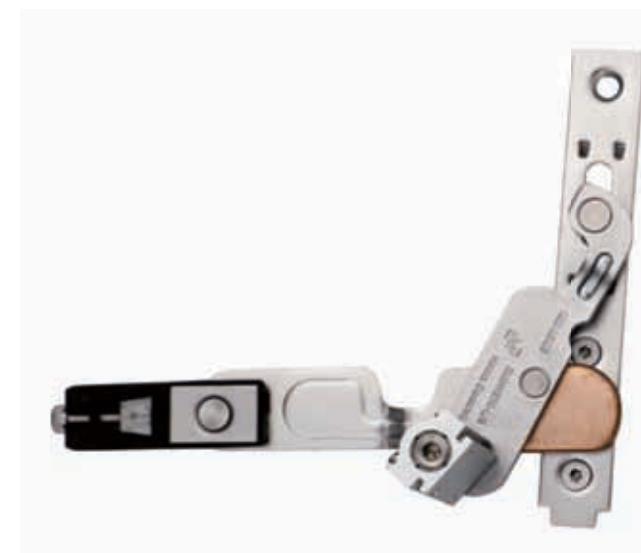
PRODUCT DESCRIPTION

Product Name: Concealed door hinge
 Product Code: ZMHY870-SL/SR
 Surface treatment: Stain
 Applicable system: Side hung door
Technical parameters: Maximum load 120kg, Door specifications: 900×2300, Complete set of upper right and bottom right, complete set of upper left and bottom left



PRODUCT DESCRIPTION

Product Name: Concealed door hinge
 Product Code: ZMHY870-XL/XR
 Surface treatment: Stain
 Applicable system: Side hung door
Technical parameters: Maximum load 120kg, Door specifications: 900×2300, Complete set of upper right and bottom right, complete set of upper left and bottom left

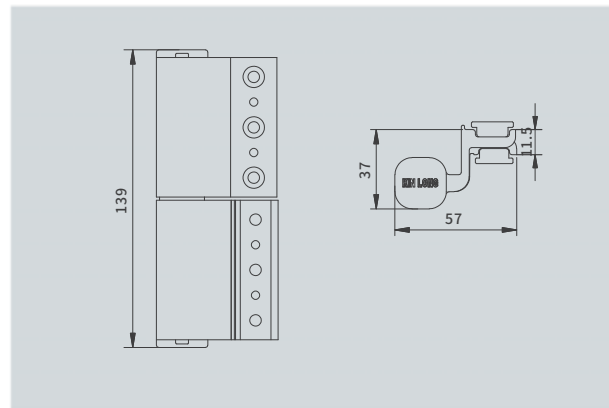


PRODUCT DESCRIPTION

Product Name: Door hinge
 Product Code: ZMHY175-L/R&ZMHY177-L/R
 Surface treatment: Anodizing & Decoration baking
 Applicable system: Side hung door
Technical parameters: Maximum load 130kg/3PCS
Hinge channel: 4-5mm



YH Fashion Silver

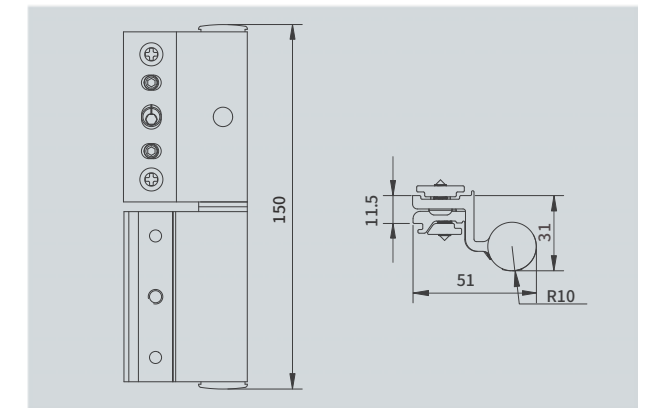


PRODUCT DESCRIPTION

Product Name: Door hinge
 Product Code: ZMHY180-L/R
 Surface treatment: Decoration baking
 Applicable system: Casement door which frame flush sash
Technical parameters: Maximum load 120kg/3PCS
Hinge channel: 4-5mm



YH Fashion Silver

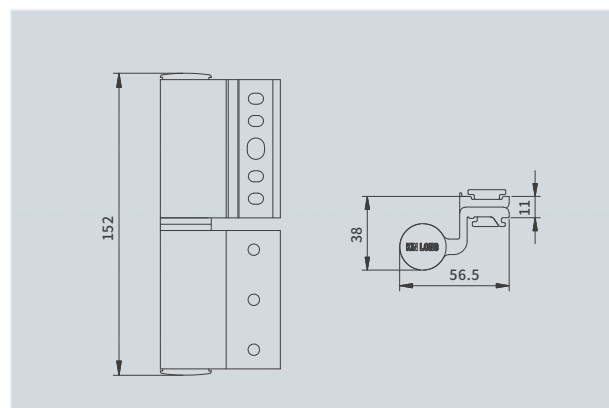


PRODUCT DESCRIPTION

Product Name: Door hinge
 Product Code: ZMHY179-L/R
 Surface treatment: Decoration baking
 Applicable system: Side hung door
Technical parameters: Maximum load 150kg/3PCS
Hinge channel: 4-5mm



KQ Fashion Silver

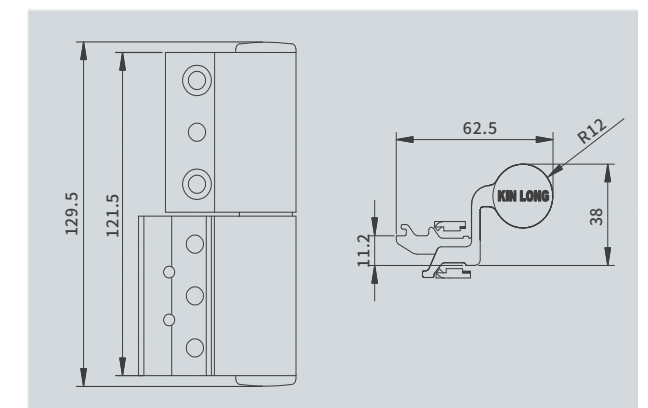


PRODUCT DESCRIPTION

Product Name: Door hinge
 Product Code: ZMHY176-L/R
 Surface treatment: Decoration baking
 Applicable system: Side hung door(23/27 groove)
Technical parameters: Maximum load capacity 120kg/3PCS
hinge channel: 3.5-5mm

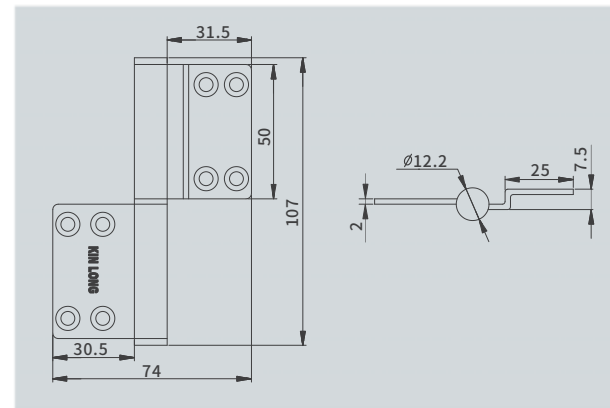


KQ Fashion Silver



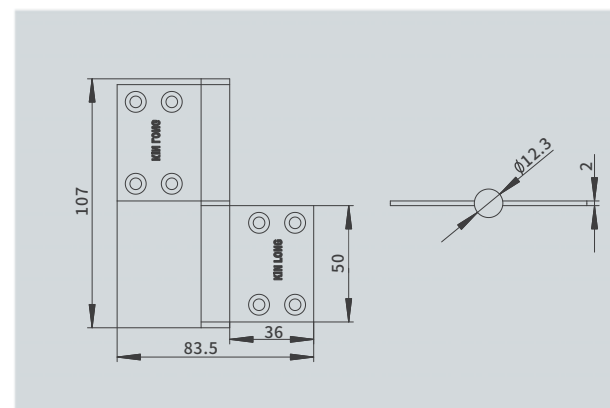
PRODUCT DESCRIPTION

Product Name: Door hinge
 Product Code: ZMHY461-L/R
 Surface treatment: Stainless steel matt
 Applicable system: Bathroom door
Technical parameters:
Maximum load 40kg/2PCS



PRODUCT DESCRIPTION

Product Name: Door hinge
 Product Code: ZMHY462
 Surface treatment: Stainless steel matt
 Applicable system: Bathroom door
Technical parameters:
Maximum load 40kg/2PCS



MICRO
 VENTILATION SERIES

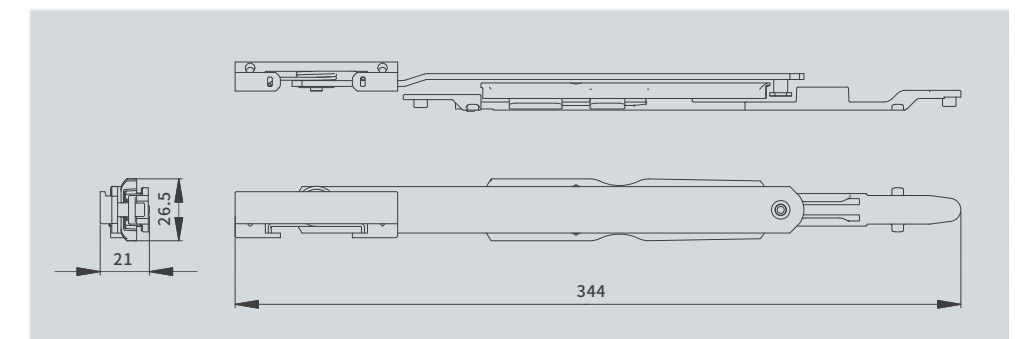
Applied to casement windows, the size of the opening gap of the window can be fixed to achieve the ventilation function, and the child lock function can be used to avoid accidents when children play alone at home, and at the same time play a certain anti-theft function.

High efficient and stable Full-featured Easy operation Child safety



PRODUCT DESCRIPTION

Product Name: Micro ventilation device
 Product Code: ZWTF10-L/R
 Surface treatment: Electroplating
 Applicable system: Side hung window
Technical parameters: The opening distance of the micro ventilation is 150mm, when the micro ventilation is installed, the handle is 180 degrees



TRANSMITTER SERIES



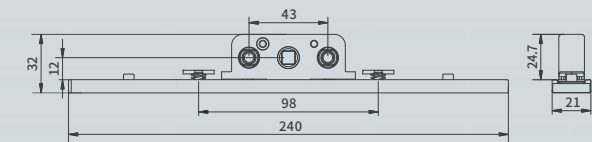
TRANSMITTER SERIES

The picture is only for reference, the product is subject to the actual product



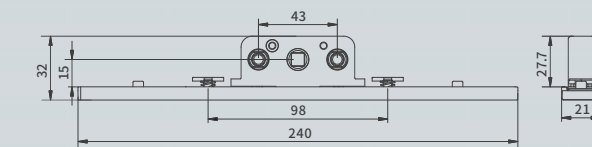
PRODUCT DESCRIPTION

Product Name: Transmitter
Product Code: ZCDQ121
Surface treatment: Sliver/Black
Applicable system: Turn & tilt window
Technical parameters: The central distance is 12mm, Anti off normal, It is matched with ZZJQ21, One-way double stroke.



PRODUCT DESCRIPTION

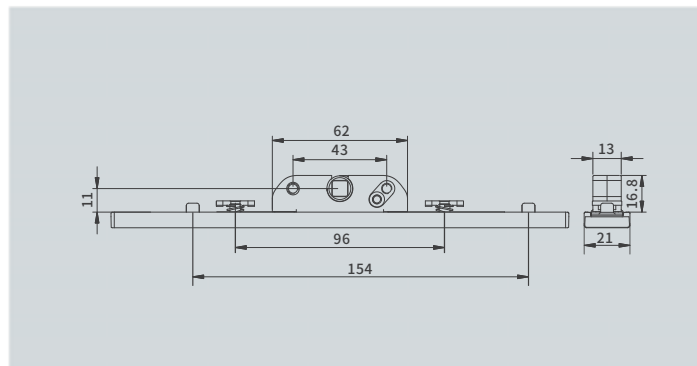
Product Name: Transmitter
Product Code: ZCDQ122
Surface treatment: Sliver/Black
Applicable system: Turn & tilt window
Technical parameters: The central distance is 15mm, Anti off normal, It is matched with ZZJQ21, One-way double stroke.





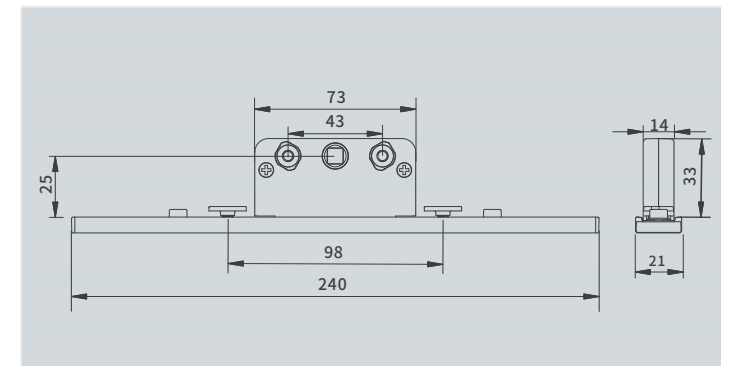
PRODUCT DESCRIPTION

Product Name: Transmitter
 Product Code: ZCDQ110
 Surface treatment: Sliver/Black
 Applicable system: Side hung & sliding
**Technical parameters: The central distance is 11mm,
 One-way single stroke**



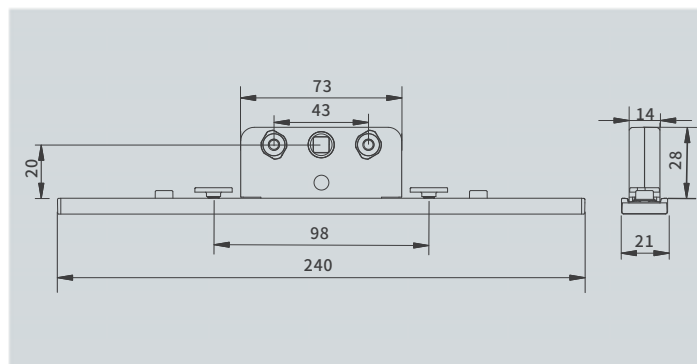
PRODUCT DESCRIPTION

Product Name: Transmitter
 Product Code: ZCDQ225
 Surface treatment: Sliver/Black
 Applicable system: Side hung & sliding
**Technical parameters: The central distance is 25mm, Anti off normal,
 Two-way single stroke**



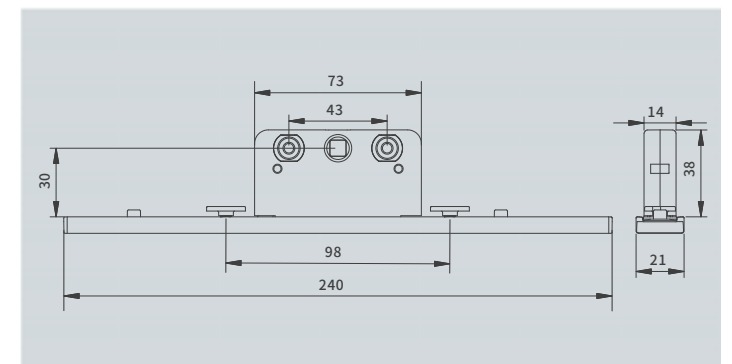
PRODUCT DESCRIPTION

Product Name: Transmitter
 Product Code: ZCDQ220
 Surface treatment: Sliver/Black
 Applicable system: Side hung & sliding
**Technical parameters: The central distance is 20mm, Anti off normal,
 Two-way single stroke**



PRODUCT DESCRIPTION

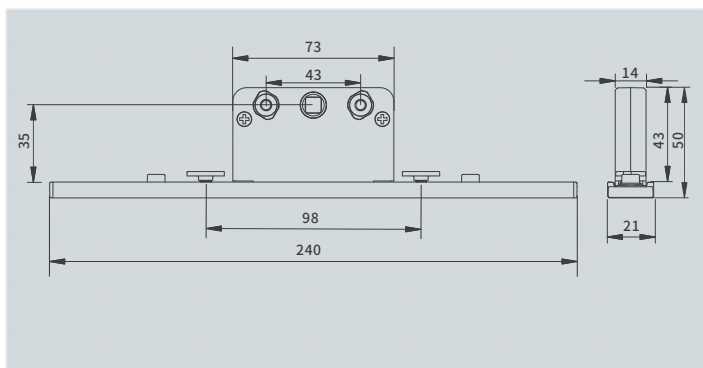
Product Name: Transmitter
 Product Code: ZCDQ214
 Surface treatment: Sliver/Black
 Applicable system: Side hung & sliding
**Technical parameters: The central distance is 30mm, Anti off normal,
 Two-way single stroke**





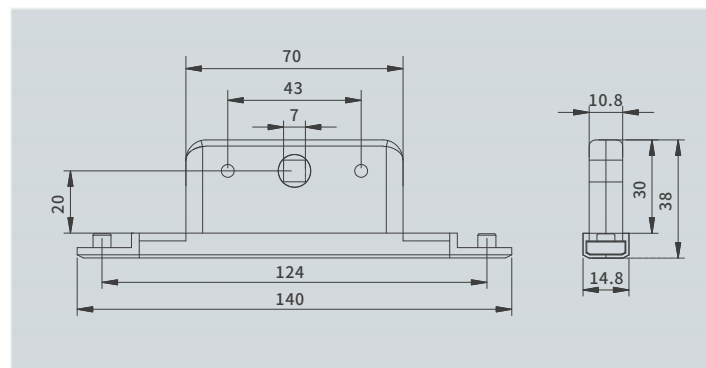
PRODUCT DESCRIPTION

Product Name: Transmitter
 Product Code: ZCDQ235
 Surface treatment: Sliver/Black
 Applicable system: Side hung & sliding
**Technical parameters: The central distance is 35mm, Anti-pull
 Two-way single stroke**



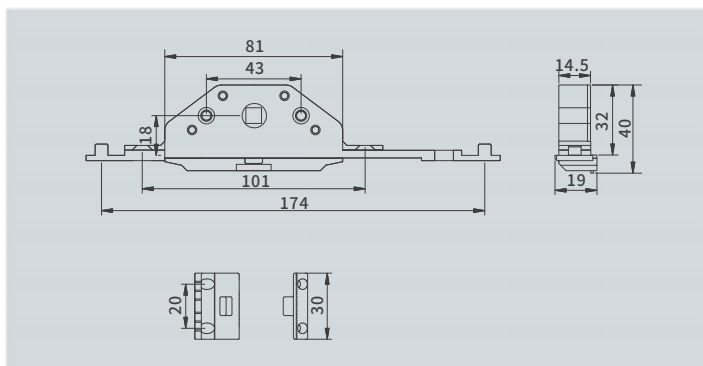
PRODUCT DESCRIPTION

Product Name: Transmitter
 Product Code: ZCDQ210A
 Surface treatment: Electroplating
 Applicable system: Side hung & sliding
**Technical parameters: The central distance is 20mm,
 Two-way single stroke**



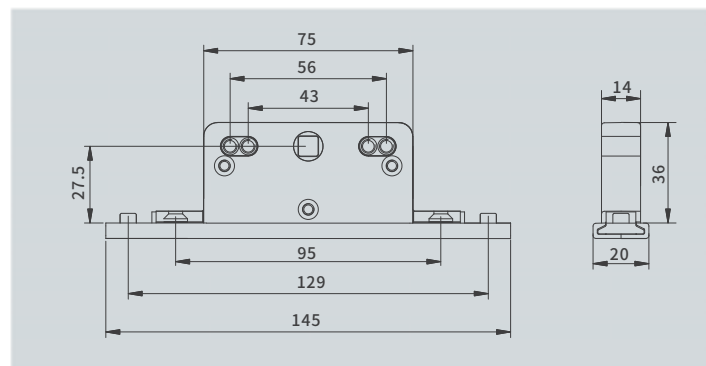
PRODUCT DESCRIPTION

Product Name: Anti mis-operation transmitter
 Product Code: ZCDQ120
 Surface treatment: Electroplating
 Applicable system: Turn and tilt window
**Technical parameters: The central distance is 18mm, It is matched
 with ZZJQ20A, One-way double stroke.**



PRODUCT DESCRIPTION

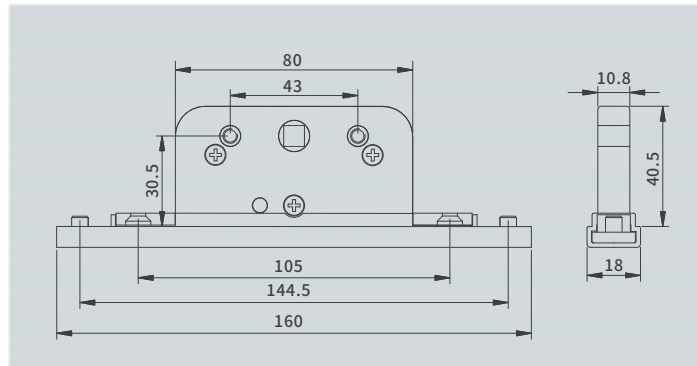
Product Name: Transmitter
 Product Code: ZCDQ212
 Surface treatment: Electroplating
 Applicable system: Side hung & sliding
Technical parameters: The central distance is 27.5mm, Two-way single stroke.





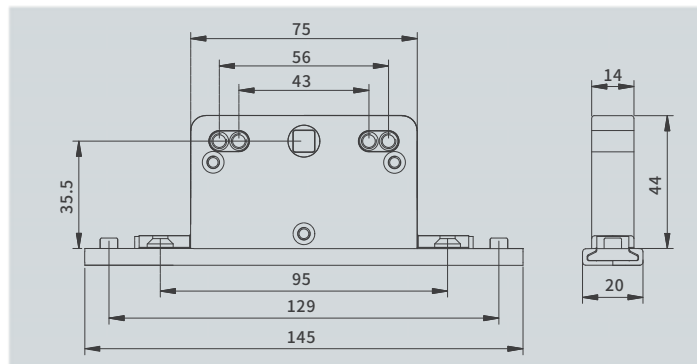
PRODUCT DESCRIPTION

Product Name: Transmitter
 Product Code: ZCDQ211
 Surface treatment: Electroplating
 Applicable system: Side hung & sliding
**Technical parameters: The central distance is 30.5mm,
 Two-way single stroke**



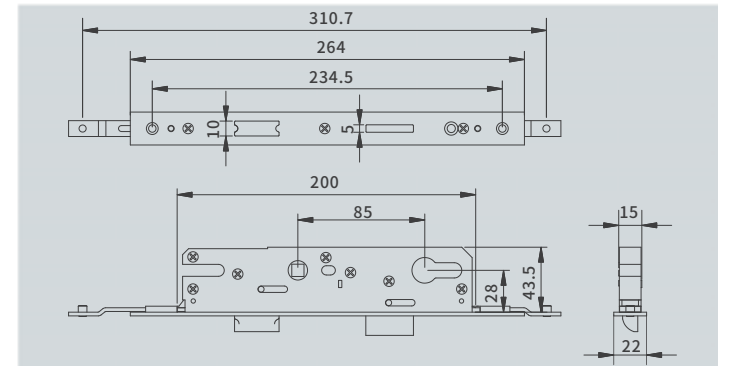
PRODUCT DESCRIPTION

Product Name: Transmitter
 Product Code: ZCDQ213
 Surface treatment: Electroplating
 Applicable system: Side hung & sliding
**Technical parameters: The central distance is 35.5mm,
 Two-way single stroke**



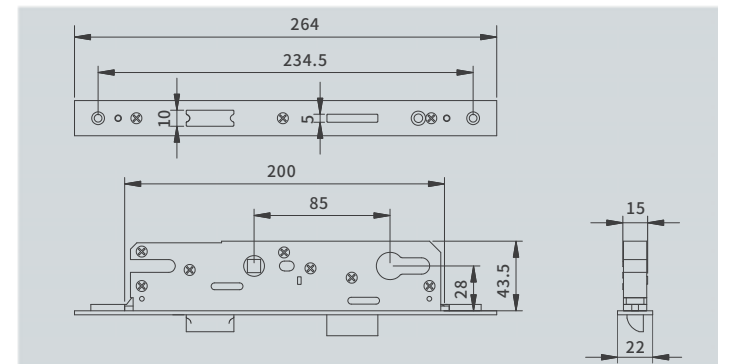
PRODUCT DESCRIPTION

Product Name: Door lock
 Product Code: ZMSB2811/I
 Surface treatment: Hairline
 Applicable system: Side hung door
Technical parameters: The central distance is 28mm



PRODUCT DESCRIPTION

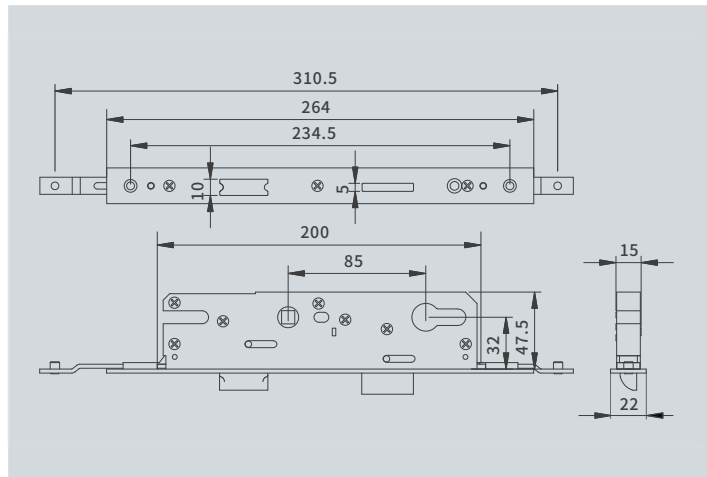
Product Name: Door lock
 Product Code: ZMSB2811/II
 Surface treatment: Stainless steel matt
 Applicable system: Side hung door
Technical parameters: The central distance is 28mm





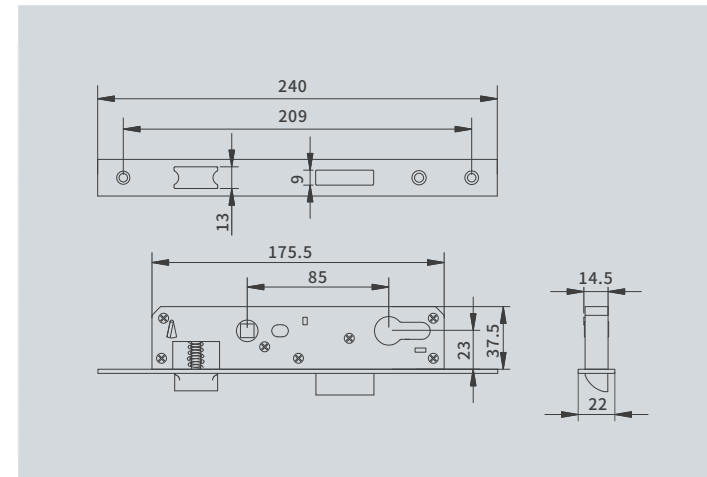
PRODUCT DESCRIPTION

Product Name: Door lock
 Product Code: ZMSB3211/I
 Surface treatment: Hairline
 Applicable system: Side hung door
Technical parameters: The central distance is 32mm



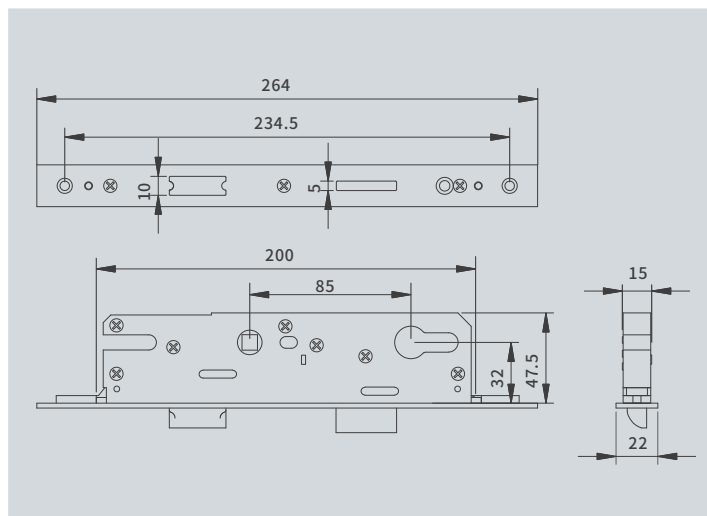
PRODUCT DESCRIPTION

Product Name: Door lock
 Product Code: ZMSB2310/II
 Surface treatment: Hairline
 Applicable system: Side hung door
Technical parameters: The central distance is 23mm



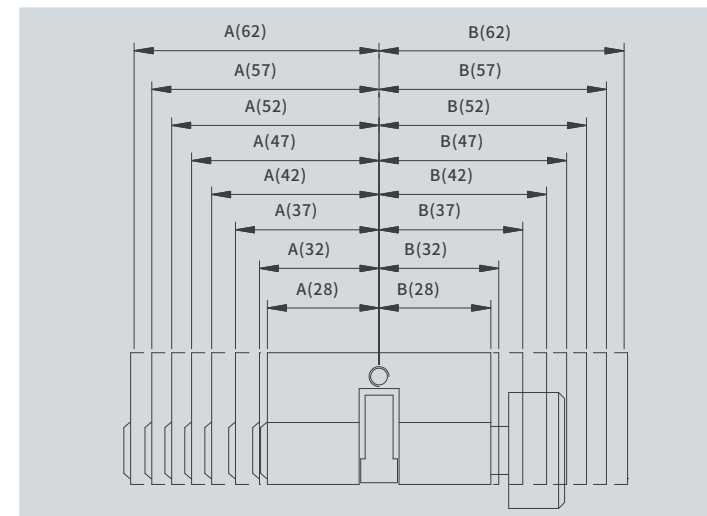
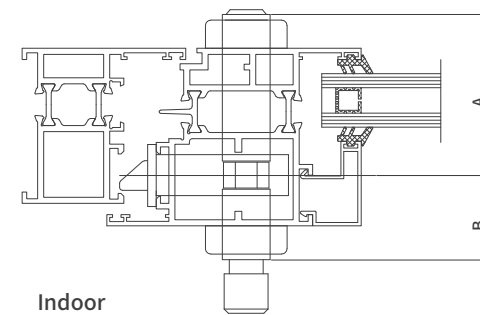
PRODUCT DESCRIPTION

Product Name: Door lock
 Product Code: ZMSB3211/II
 Surface treatment: Stainless steel matt
 Applicable system: Side hung door
Technical parameters: The central distance is 32mm



PRODUCT DESCRIPTION

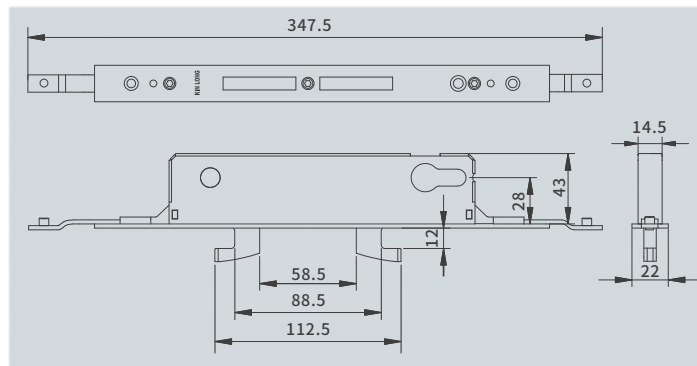
Product Name: Lock cylinder
 Product Code: ZKILAB/T Double key code (ZKILAB)
 Surface treatment: Electroplating
 Applicable system: Sliding door, Side hung door
Technical parameters: Used with door lock and hook lock
 ♦ A is the distance from the outdoor end (key end) to the central end
 ♦ B is the distance from the interior end (wheel end) to the central end





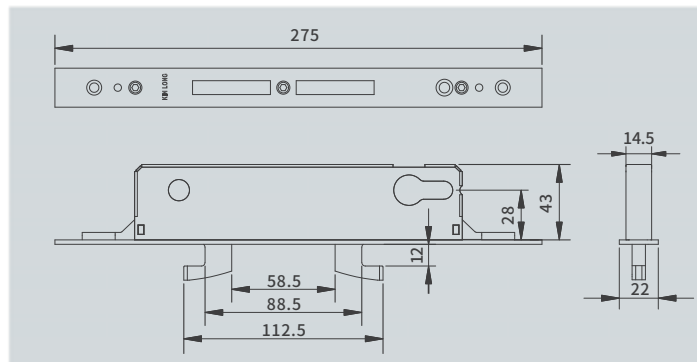
PRODUCT DESCRIPTION

Product Name: Hook lock
 Product Code: ZGSB2820/I
 Surface treatment: Hairline
 Applicable system: Sliding door
Technical parameters: The central distance is 28mm



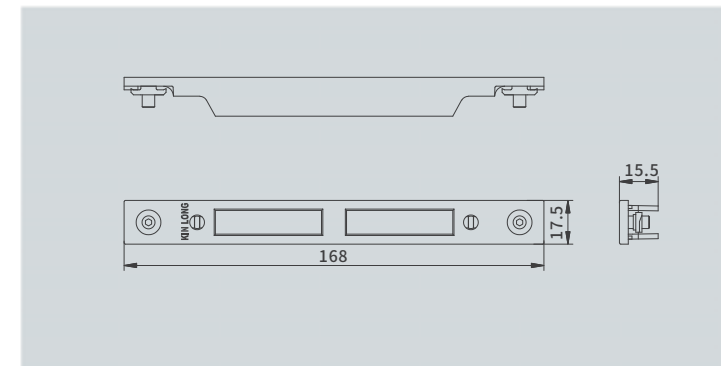
PRODUCT DESCRIPTION

Product Name: Hook lock
 Product Code: ZGSB2820/II
 Surface treatment: Hairline
 Applicable system: Sliding door
Technical parameters: The central distance is 28mm



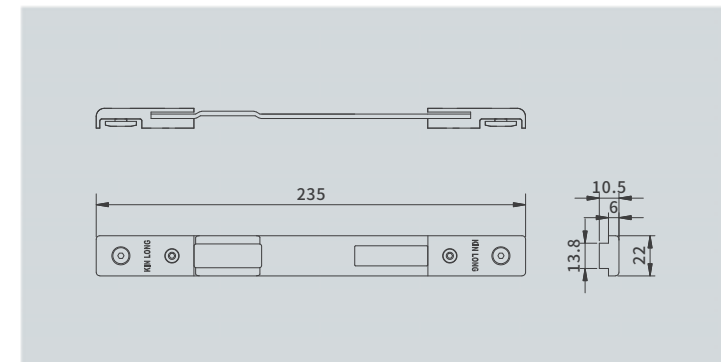
PRODUCT DESCRIPTION

Product Name: Cover plate
 Product Code: ZKMB20
 Surface treatment: Black
 Applicable system: Sliding door
Technical parameters: Used with hook lock



PRODUCT DESCRIPTION

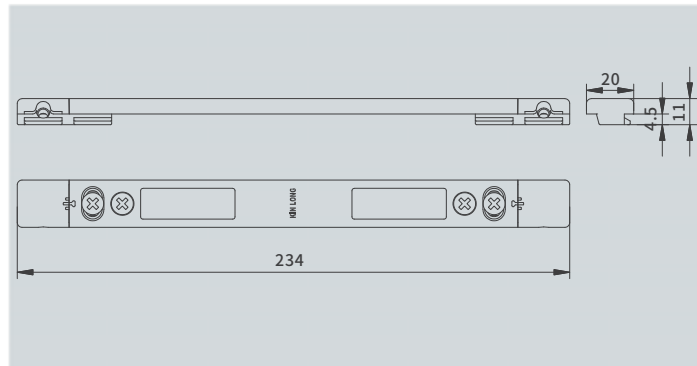
Product Name: Cover plate
 Product Code: ZKMB11
 Surface treatment: Sanding + Plating
 Applicable system: Side hung
Technical parameters: Used with door lock





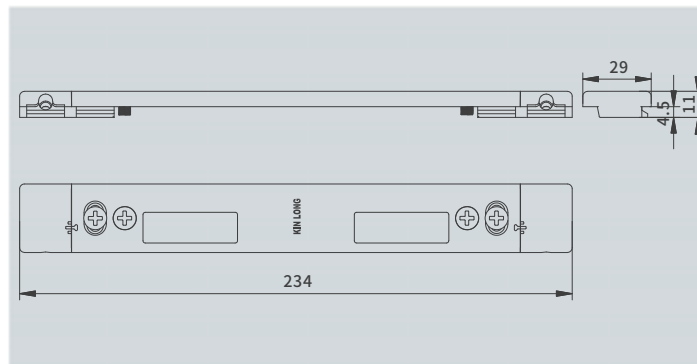
PRODUCT DESCRIPTION

Product Name: Cover plate
 Product Code: ZKMB12
 Surface treatment : Sanding + Plating
 Applicable system: Side hung
Technical parameters: Used with door lock



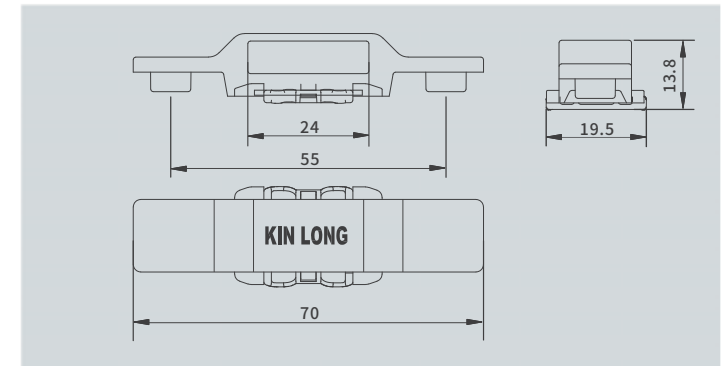
PRODUCT DESCRIPTION

Product Name: Cover plate
 Product Code: ZKMB12K
 Surface treatment : Sanding + Plating
 Applicable system: Side hung
Technical parameters: Used with door lock, Use for 23-27 groove



PRODUCT DESCRIPTION

Product Name: Main transmission rod
 Product Code: ZCDG617
 Surface treatment : Electroplating
 Applicable system: Open-in & Turn and tilt

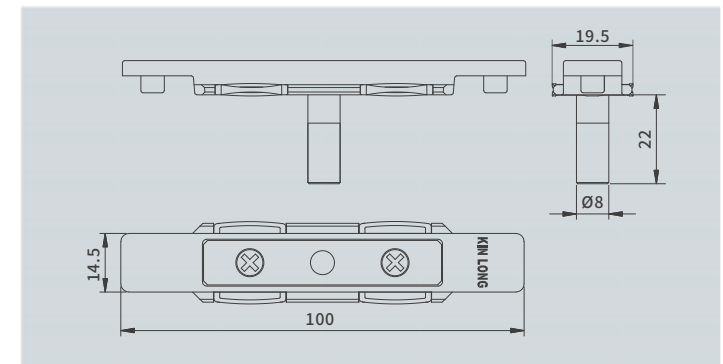


Patented product



PRODUCT DESCRIPTION

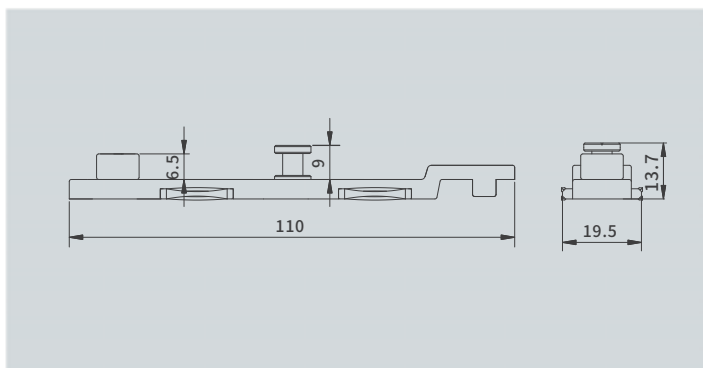
Product Name: Main transmission rod
 Product Code: ZCDG614
 Surface treatment : Electroplating
 Applicable system: Side hung
Technical parameters: Pin length can be customized(standard 22mm)





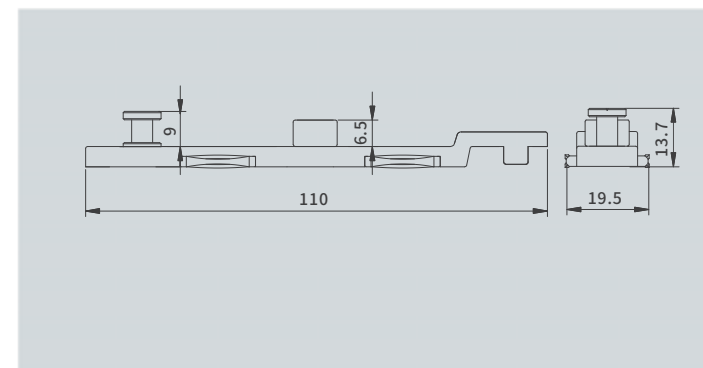
PRODUCT DESCRIPTION

Product Name: Main transmission rod
 Product Code: ZCDG713
 Surface treatment : Electroplating
 Applicable system: Side hung
Technical parameters: used with lock plate ZSKA13-L/ R



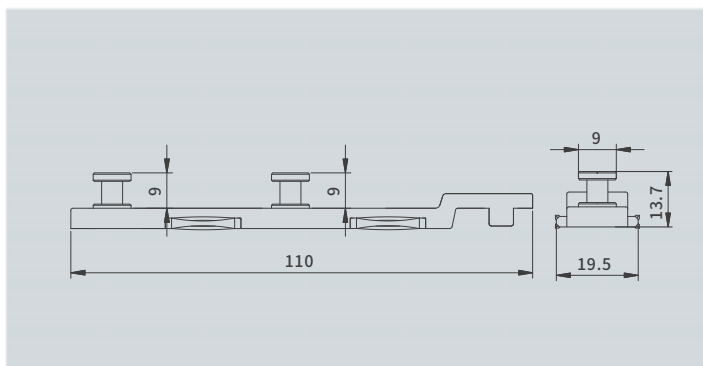
PRODUCT DESCRIPTION

Product Name: Transmission rod
 Product Code: ZCDG713/X
 Surface treatment : Electroplating
 Applicable system: Side hung
Technical parameters: Mainly in one-way transmission, It is matched with ZCDG713



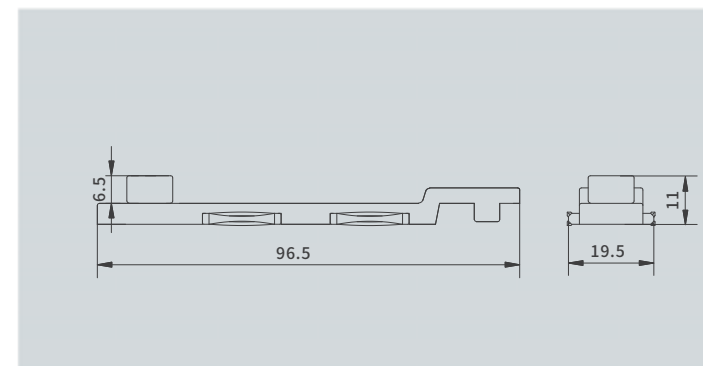
PRODUCT DESCRIPTION

Product Name: Transmission rod
 Product Code: ZCDG713/l
 Surface treatment : Electroplating
 Applicable system: Side hung door
Technical parameters: Used with lock plate ZSKA15-L/R



PRODUCT DESCRIPTION

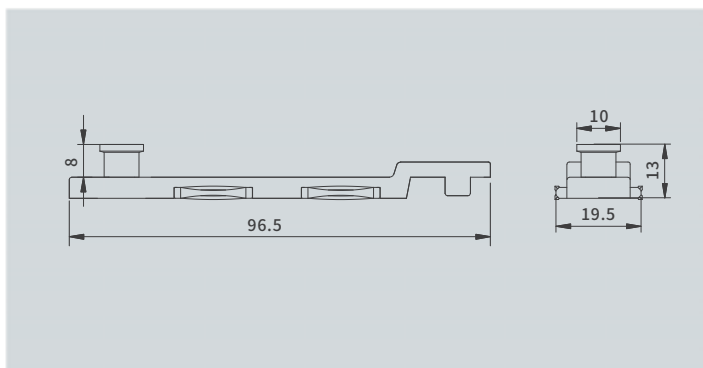
Product Name: Transmission rod
 Product Code: ZCDG715
 Surface treatment : Electroplating
 Applicable system: Side hung





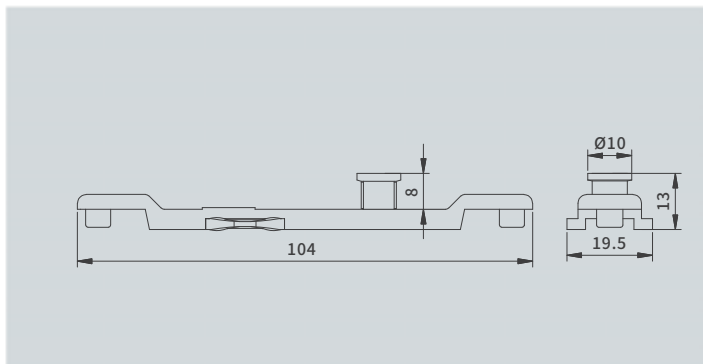
PRODUCT DESCRIPTION

Product Name: Transmission rod
 Product Code: ZCDG715/II
 Surface treatment : Electroplating
 Applicable system: Side hung
Technical parameters: Used with lock plate ZSKA18



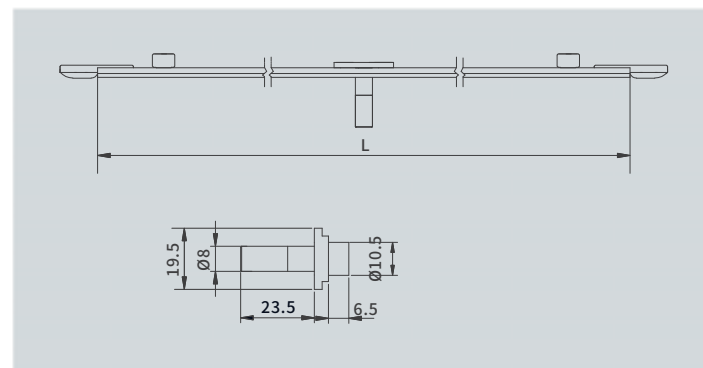
PRODUCT DESCRIPTION

Product Name: Middle transmission rod
 Product Code: ZCDG720
 Surface treatment : Electroplating
 Applicable system: Side hung
Technical parameters: Used with lock plate ZSKA18



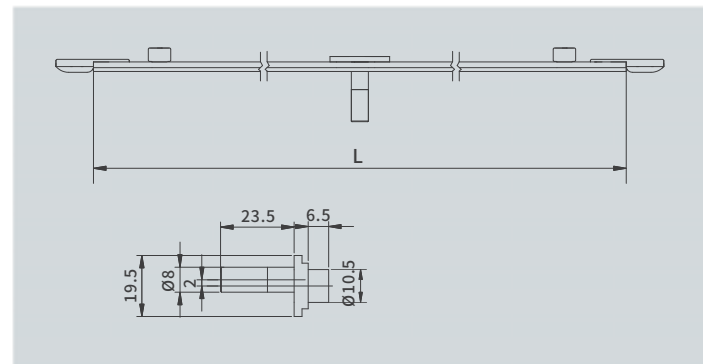
PRODUCT DESCRIPTION

Product Name: Transmission rod
 Product Code: ZCDG110-L (Mushroom locking point: ZCDG110SD-L)
 Applicable system: Side hung
Technical parameters: L is 500-1700mm
Pin length can be customized (standard 23.5mm)



PRODUCT DESCRIPTION

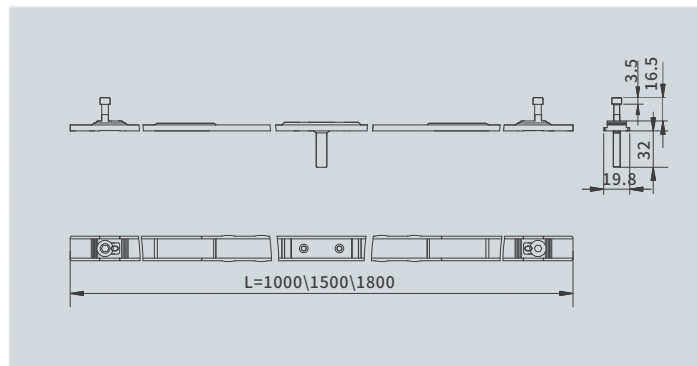
Product Name: Transmission rod
 Product Code: ZCDG110/I-L
 Applicable system: Side hung
Technical parameters: L is 500-1700mm, Pin eccentricity is 2mm.
Pin length can be customized (standard 23.5mm)





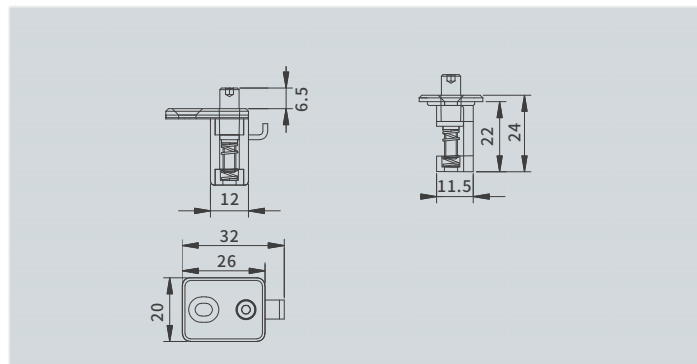
PRODUCT DESCRIPTION

Product Name: Transmission rod
 Product Code: ZCDG421-L L=1000\1500\1800
 Applicable system: Sliding
Technical parameters: The height of lock point can be customized (standard 16.5mm), Pin shaft exposed not customizable



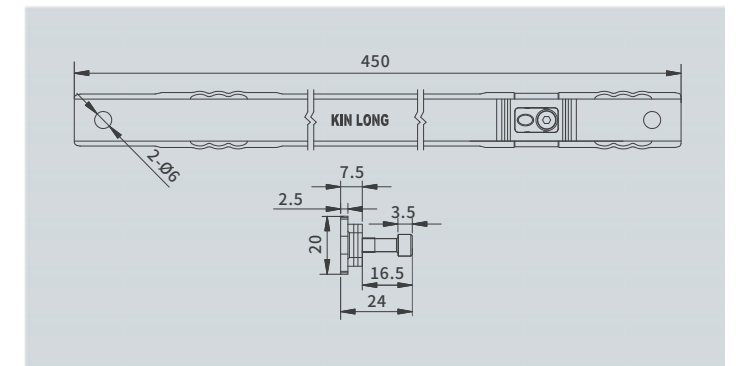
PRODUCT DESCRIPTION

Product Name: Anti mis-operation device
 Product Code: ZFWQ21
 Surface treatment: Black
 Applicable system: Sliding door
Technical parameters: Adjustment of anti-misalignment is 6.5-11mm(used with ZCDG421-L transmission rod)



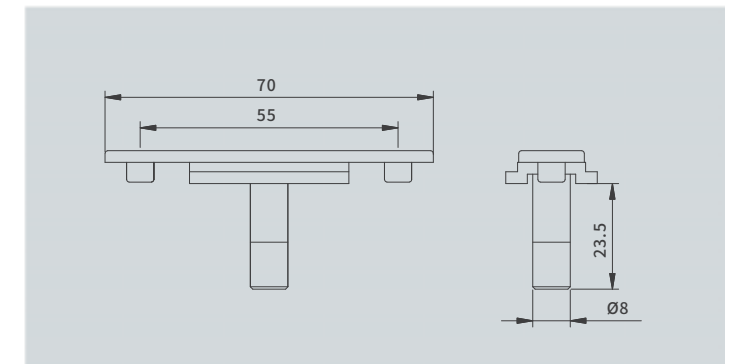
PRODUCT DESCRIPTION

Product Name: Transmission rod
 Product Code: ZCDG422
 Applicable system: Sliding
Technical parameters: The height of lock point can be customized (standard 16.5mm)



PRODUCT DESCRIPTION

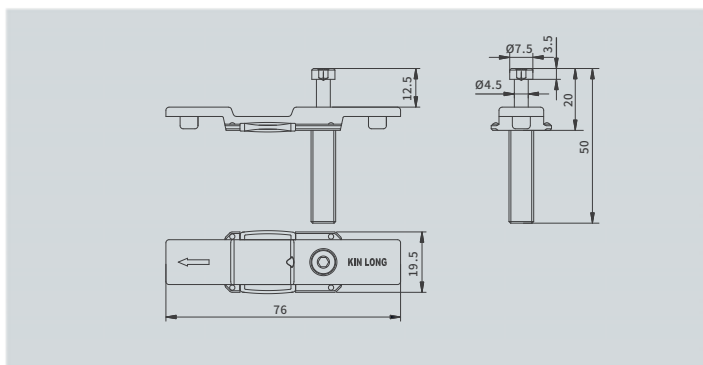
Product Name: Transmission rod
 Product Code: ZCDG610
 Surface treatment : Black
 Applicable system: Sliding
Technical parameters: Pin length can be customized (the standard is 23.5mm)





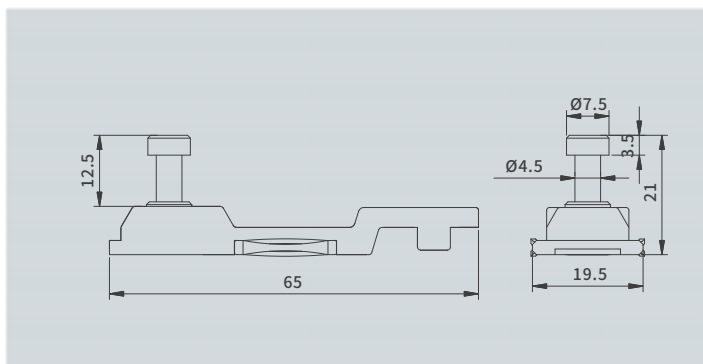
PRODUCT DESCRIPTION

Product Name: Transmission rod
 Product Code: ZCDG616
 Surface treatment: Black
 Applicable system: Sliding
Technical parameters: Pin length can be customized (the standard is 50mm)



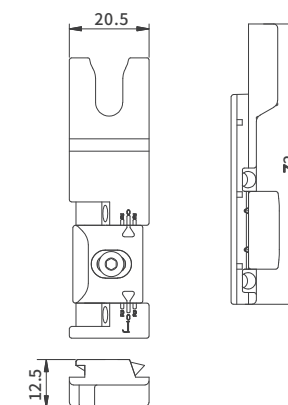
PRODUCT DESCRIPTION

Product Name: Transmission rod
 Product Code: ZCDG714
 Surface treatment: Black
 Applicable system: Sliding
Technical parameters: the height of lock point can be customized, (the standard is 12.5mm)



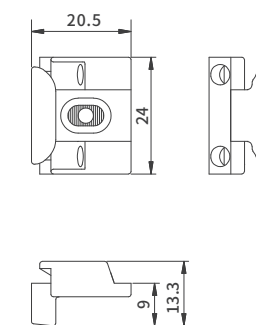
PRODUCT DESCRIPTION

Product Name: Lock plate
 Product Code: ZSKA13-L/ R
 Surface treatment: Electroplating
 Applicable system: Side hung
Technical parameters: Adjustment ± 1.5



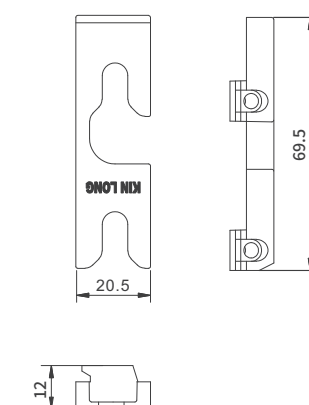
PRODUCT DESCRIPTION

Product Name: Lock plate
 Product Code: ZSKA14
 Surface treatment: Electroplating
 Applicable system: Side hung window
Technical parameters: Adjustment ± 1.5



PRODUCT DESCRIPTION

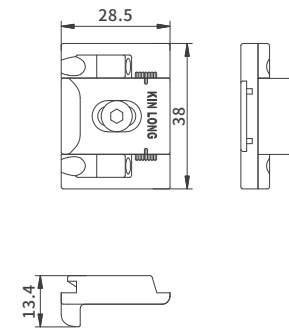
Product Name: Lock plate
 Product Code: ZSKA15-L/ R
 Surface treatment: Electroplating
 Applicable system: Side hung door
Technical parameters: Match with transmission rod ZCDG713/I



PRODUCT DESCRIPTION



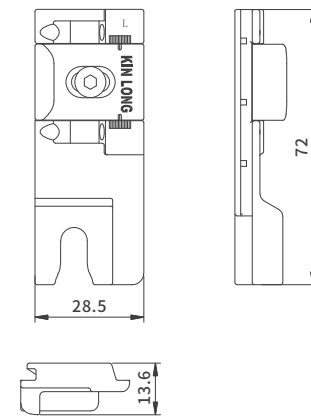
Product Name: Lock plate
 Product Code: ZSKA16
 Surface treatment: Electroplating
 Applicable system: Side hung(23 / 27groove)
Technical parameters: Sdjustment ± 2.4



PRODUCT DESCRIPTION



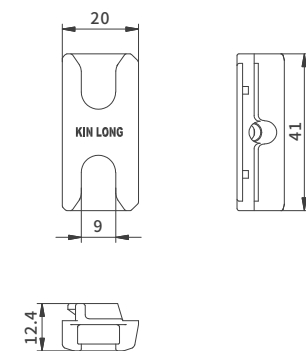
Product Name: Lock plate
 Product Code: ZSKA17-L/R
 Surface treatment: Electroplating
 Applicable system: Side hung(23 / 27 groove)
Technical parameters: Adjustment ± 2.4



PRODUCT DESCRIPTION



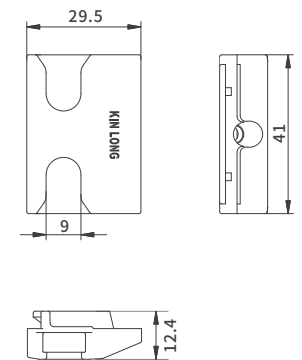
Product Name: Lock plate
 Product Code: ZSKA18
 Surface treatment: Electroplating
 Applicable system: Side hung
Technical parameters: Match with transmission rod ZCDG715/II



PRODUCT DESCRIPTION



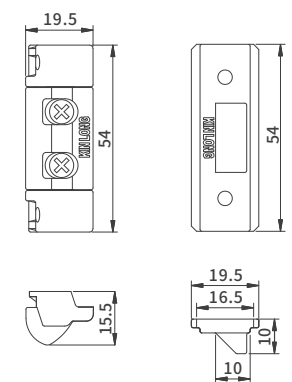
Product Name: Lock plate
 Product Code: ZSKA18/K
 Surface treatment: Electroplating
 Applicable system: Side hung (23 / 27 groove)
Technical parameters: Match with transmission rod ZCDG715/II



PRODUCT DESCRIPTION



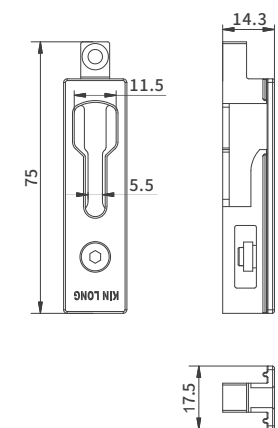
Product Name: Middle lock plate
 Product Code: ZZSK11
 Surface treatment: Electroplating
 Applicable system: Side hung window



PRODUCT DESCRIPTION



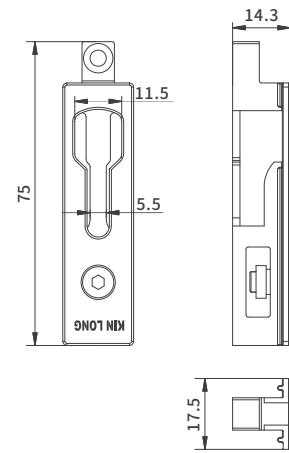
Product Name: Lock hook
 Product Code: ZSKB21
 Surface treatment: Black
 Applicable system: Sliding
Technical parameters: Fixed by clamping piece+self tapping screw





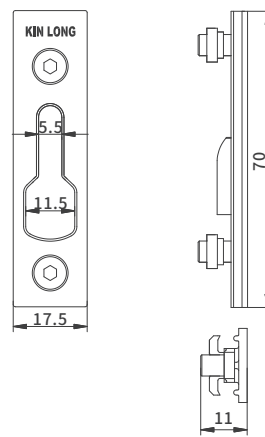
PRODUCT DESCRIPTION

Product Name: Lock catch
 Product Code: ZSKB21-B
 Applicable system: Sliding
Technical parameters: Fixed by clamping piece+self tapping screw
 Material: stainless steel



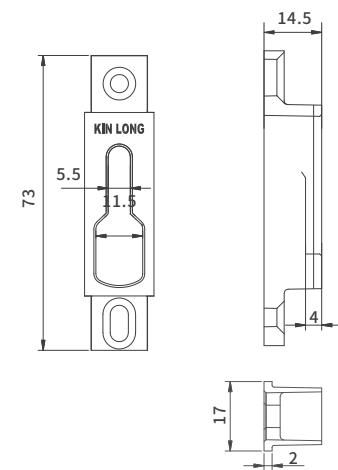
PRODUCT DESCRIPTION

Product Name: Lock catch
 Product Code: ZSKB22
 Surface treatment: Black
 Applicable system: Sliding
Technical parameters: Fixed by double clamping piece



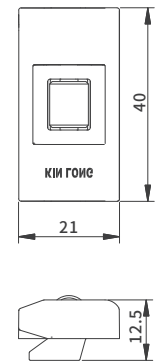
PRODUCT DESCRIPTION

Product Name: Lock catch
 Product Code: ZSKB23
 Surface treatment: Black
 Applicable system: Sliding
Technical parameters: Self tapping nail fixation



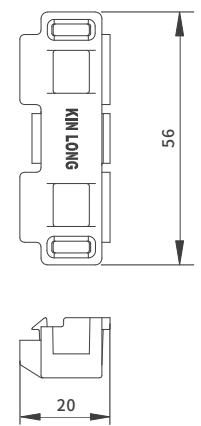
PRODUCT DESCRIPTION

Product Name: Support block
 Product Code: ZZCK13(Product code for 23/27 groove: ZZCK13/K)
 Surface treatment: Electroplating
 Applicable system: Side hung



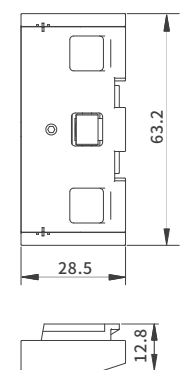
PRODUCT DESCRIPTION

Product Name: Support block
 Product Code: ZZCK14
 Applicable system: Turn and tilt



PRODUCT DESCRIPTION

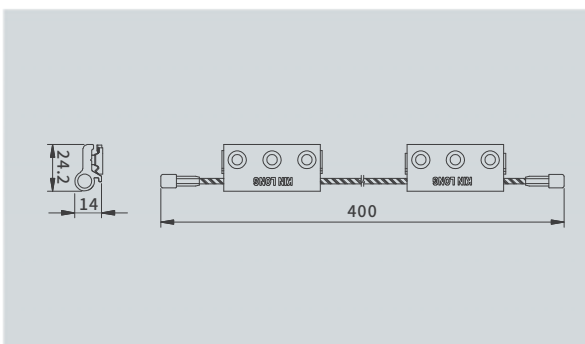
Product Name: Support block
 Product Code: ZZCK15/K(23/27 groove) (Product code for C groove: ZZCK15)
 Surface treatment: Electroplating
 Applicable system: Turn and tilt





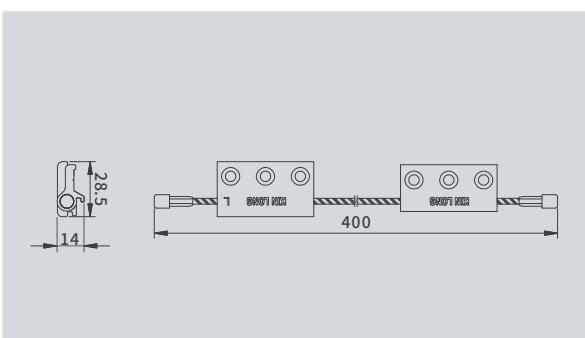
PRODUCT DESCRIPTION

Product Name: Anti drop device
 Product Code: ZFTQ10
 Surface treatment: Silver anodizing
 Applicable system: Open out
Technical parameters: When the window frame is separated from the sash, it can effectively prevent the sash from falling off. When the wind force is greater than level 5, the window is closed.



PRODUCT DESCRIPTION

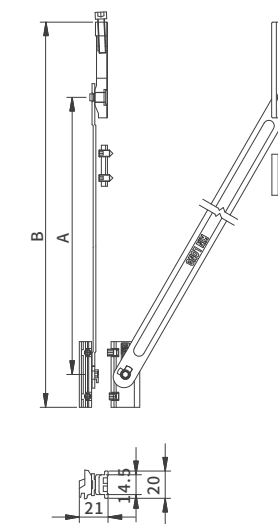
Product Name: Anti drop device
 Product Code: ZFTQ11-L/R
 Surface treatment: Silver anodizing
 Applicable system: Open out (23 / 27 groove)
Technical parameters: When the window frame is separated from the sash, it can effectively prevent the sash from falling off. When the wind force is greater than level 5, the window is closed.



PRODUCT DESCRIPTION

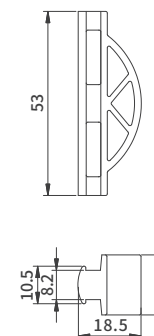
Product Name: Limiter
 Product Code: ZXWQ10A
 Applicable system: Turn and Tilt window and side hung
Technical parameters: The locking plate and the connecting rod can be separated, which is convenient for window cleaning and maintenance, and limits the opening angle of the window sash.

Code	A	B	Applied sash width	Open angle
ZXWQ10A-10	234	313	400	Customized
ZXWQ10A-12	285	364	500	
ZXWQ10A-14	335	414	600	
ZXWQ10A-16	386	465	700	



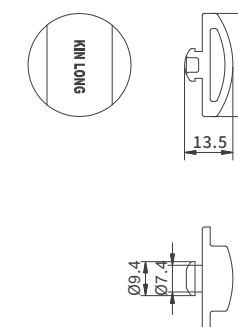
PRODUCT DESCRIPTION

Product Name: Anti-strike block
 Product Code: ZFK11
 Applicable system: Sliding



PRODUCT DESCRIPTION

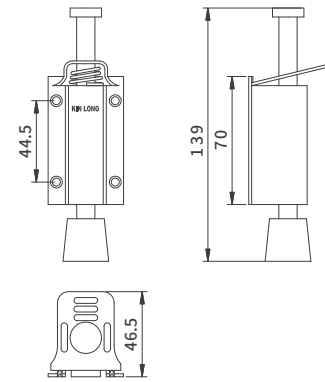
Product Name: Anti-strike block
 Product Code: ZFK12
 Applicable system: Sliding





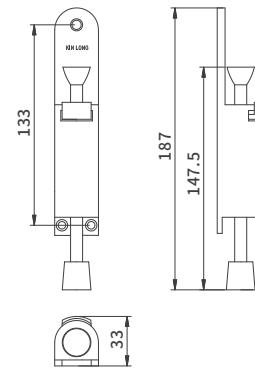
PRODUCT DESCRIPTION

Product Name: Positioner
 Product Code: ZDWQ10
 Applicable system: Side-hung door
**Technical parameters: Stroke 0~24mm ,
 Used for casement door, stop and hold
 the door sash**



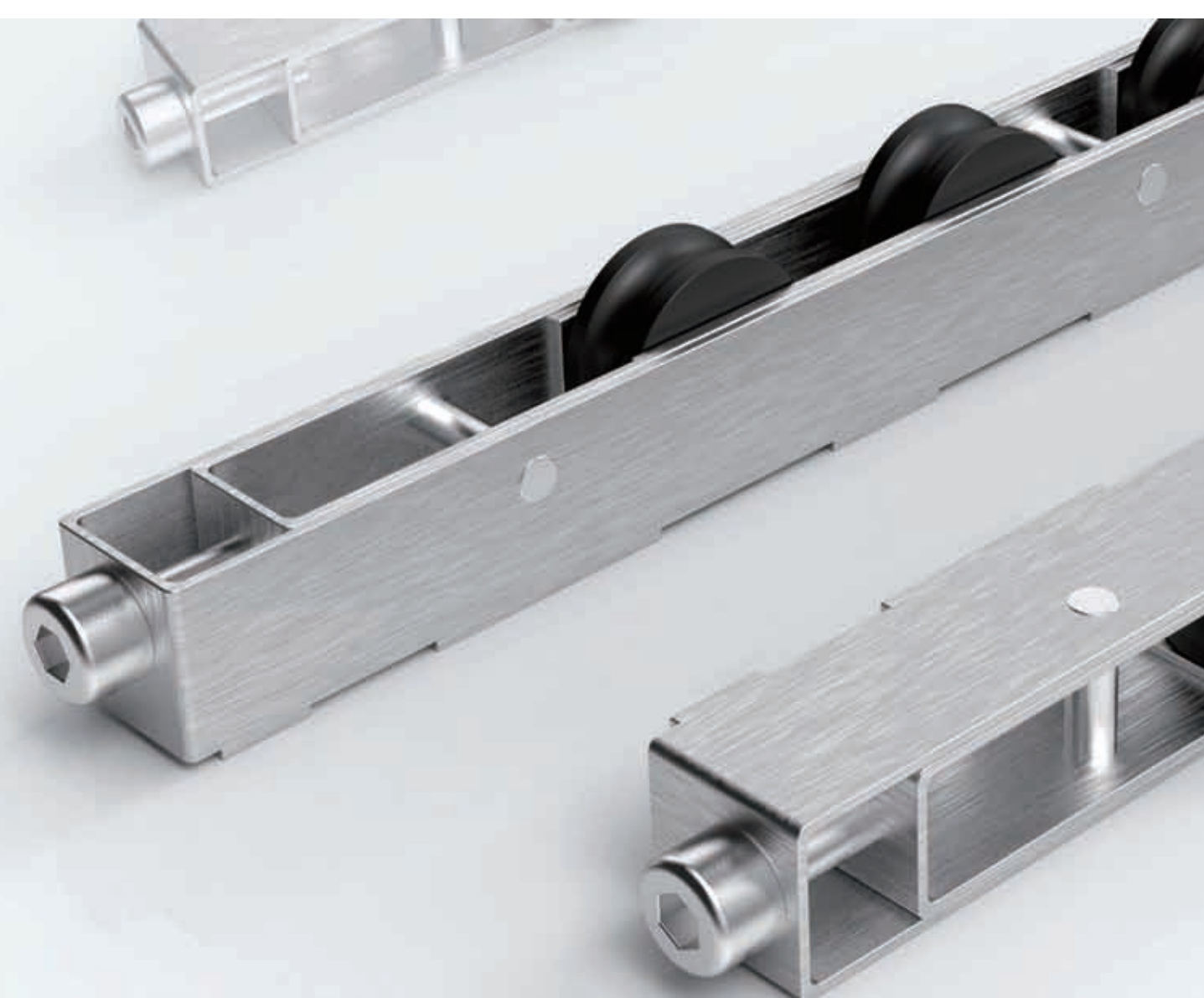
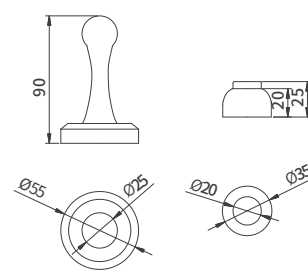
PRODUCT DESCRIPTION

Product Name: Positioner
 Product Code: ZDWQ11
 Applicable system: Side-hung door
Technical parameters: Stroke 0~27mm

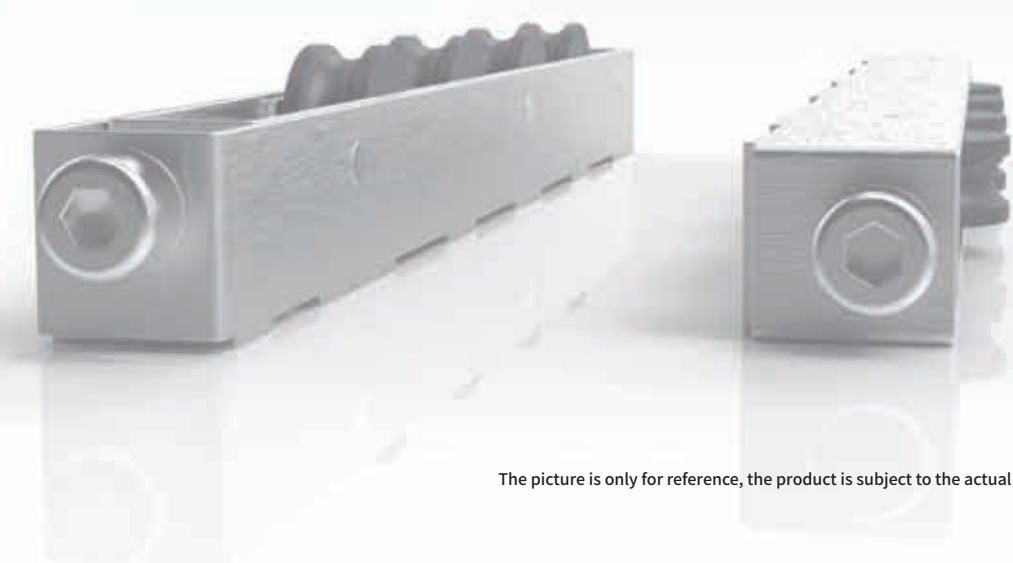


PRODUCT DESCRIPTION

Product Name: Full magnetic door stopper
 Product Code: ZMXA10
 Surface treatment: Hairline
 Applicable system: Bathroom door



ROLLER SERIES

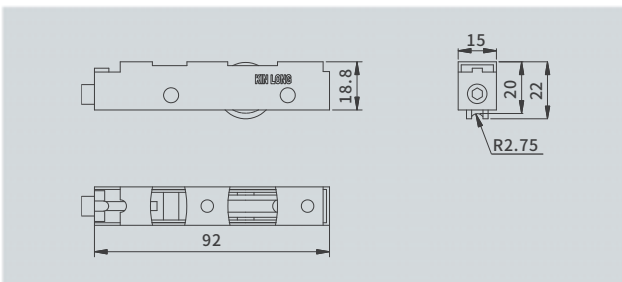


The picture is only for reference, the product is subject to the actual product

PRODUCT DESCRIPTION



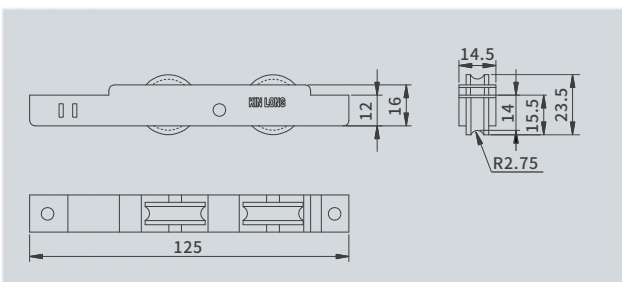
Product Name: Roller
 Product Code: ZCHL1110
 Surface treatment: Hairline
 Applicable system: Sliding window
Technical parameters: The maximum load is 30kg / 2pcs, Total height can adjust 5mm



PRODUCT DESCRIPTION



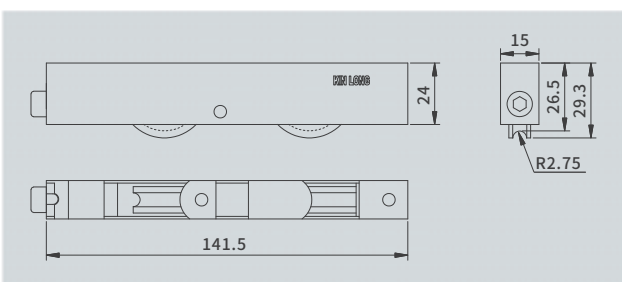
Product Name: Roller
 Product Code: ZCHL2210
 Surface treatment: Hairline
 Applicable system: Sliding window
Technical parameters: The maximum load is 40kg / 2pcs, Total height can adjust 3mm



PRODUCT DESCRIPTION



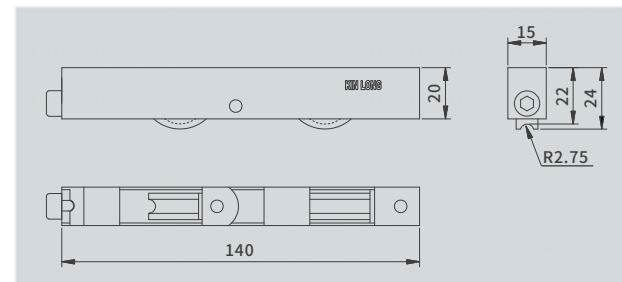
Product Name: Roller
 Product Code: ZMHL2310
 Surface treatment: Hairline
 Applicable system: Sliding door
Technical parameters: The maximum load is 80kg / 2pcs, Total height can adjust 7mm



PRODUCT DESCRIPTION



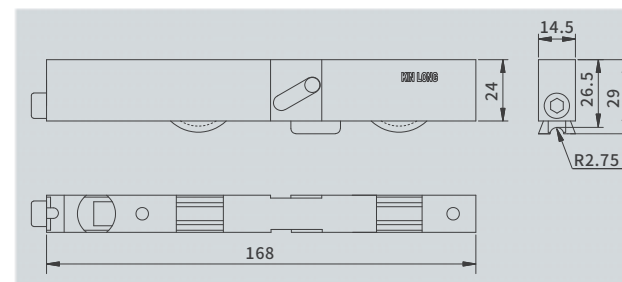
Product Name: Roller
 Product Code: ZMHL2312
 Surface treatment: Hairline
 Applicable system: Sliding door
Technical parameters: The maximum load is 60kg / 2pcs, Total height can adjust 5mm



PRODUCT DESCRIPTION



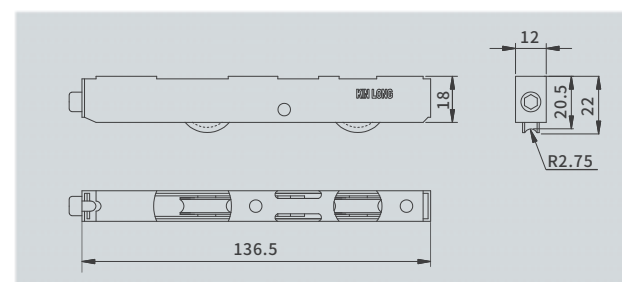
Product Name: Roller
 Product Code: ZMHL2314
 Surface treatment: Hairline
 Applicable system: Sliding door
Technical parameters: The maximum load is 80kg / 2pcs, Total height can adjust 7mm



PRODUCT DESCRIPTION



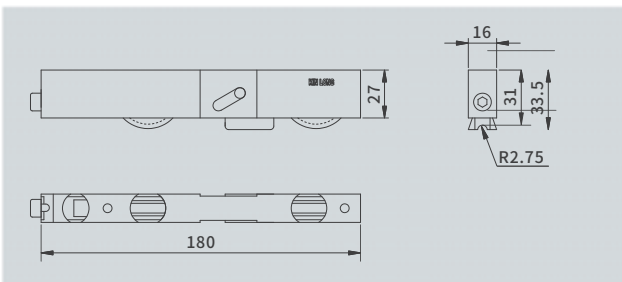
Product Name: Roller
 Product Code: ZMHL2315
 Surface treatment: Hairline
 Applicable system: Sliding door
Technical parameters: The maximum load is 60kg / 2pcs, Total height can adjust 3mm





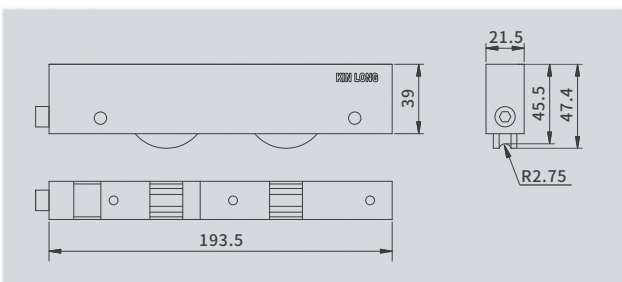
PRODUCT DESCRIPTION

Product Name: Roller
 Product Code: ZMHL2410
 Surface treatment: Hairline
 Applicable system: Sliding door
Technical parameters: The maximum load is 100kg / 2pcs, Total height can adjust 6mm



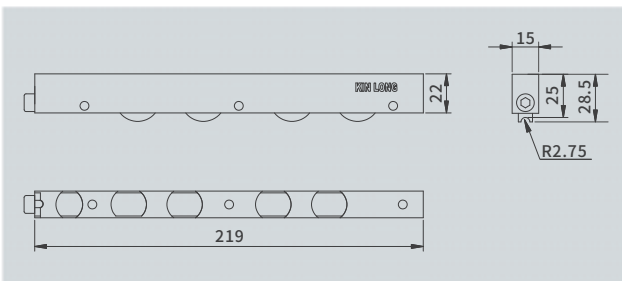
PRODUCT DESCRIPTION

Product Name: Roller
 Product Code: ZMHL2620
 Surface treatment: Hairline
 Applicable system: Sliding door
Technical parameters: The maximum load is 200kg / 2pcs, Total height can adjust 10mm



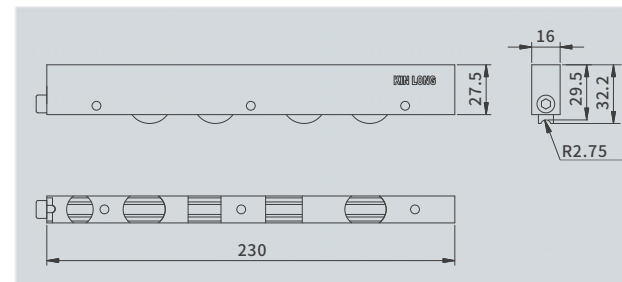
PRODUCT DESCRIPTION

Product Name: Roller
 Product Code: ZMHL4410
 Surface treatment: Hairline
 Applicable system: Sliding door
Technical parameters: The maximum load is 120kg / 2pcs, Total height can adjust 7mm



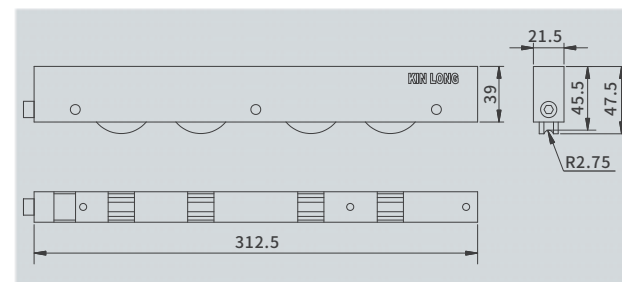
PRODUCT DESCRIPTION

Product Name: Roller
 Product Code: ZMHL4510
 Surface treatment: Hairline
 Applicable system: Sliding door
Technical parameters: The maximum load is 200kg / 2pcs, Total height can adjust 7mm



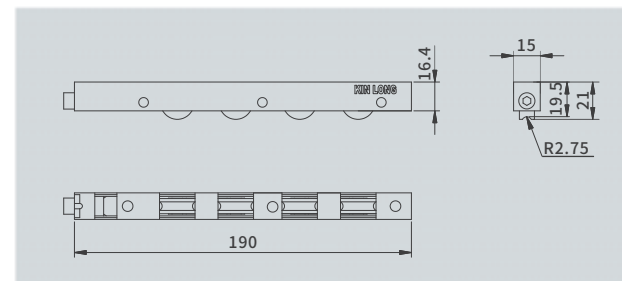
PRODUCT DESCRIPTION

Product Name: Roller
 Product Code: ZMHL4620
 Surface treatment: Hairline
 Applicable system: Sliding door
Technical parameters: The maximum load is 300kg / 2pcs, Total height can adjust 10mm



PRODUCT DESCRIPTION

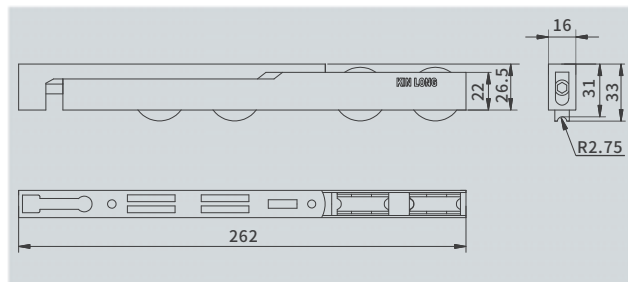
Product Name: Roller
 Product Code: ZMHL41
 Surface treatment: Hairline
 Applicable system: Sliding door
Technical parameters: The maximum load is 100kg / 2pcs, Total height can adjust 5mm





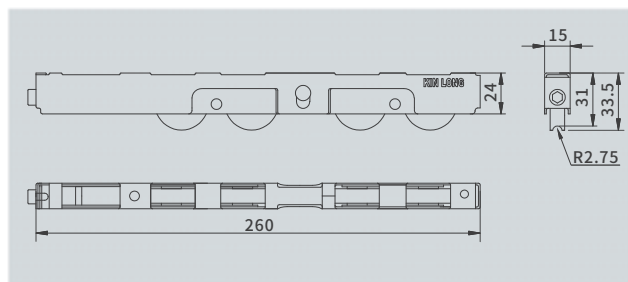
PRODUCT DESCRIPTION

Product Name: Roller
 Product Code: ZMHL42
 Surface treatment: Hairline
 Applicable system: Sliding door
Technical parameters: The maximum load is 200kg / 2pcs, Total height can adjust 6mm



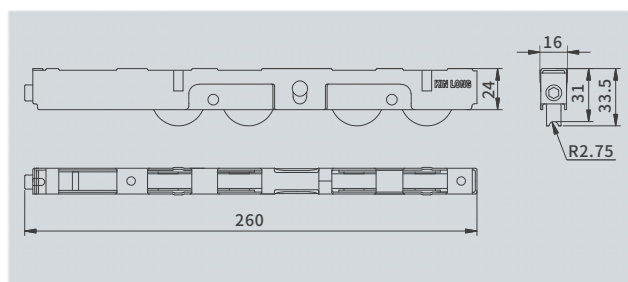
PRODUCT DESCRIPTION

Product Name: Roller
 Product Code: ZMHL43
 Surface treatment: Hairline
 Applicable system: Sliding
Technical parameters: The maximum load is 160kg / 2pcs, Total height can adjust 5mm



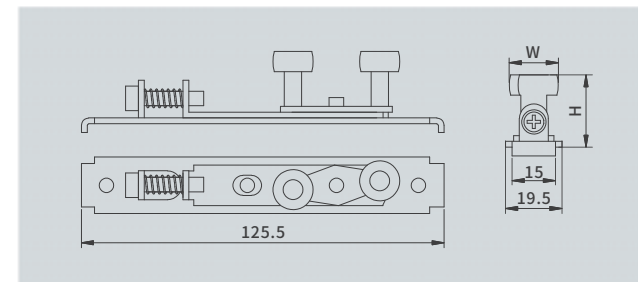
PRODUCT DESCRIPTION

Product Name: Roller
 Product Code: ZMHL43K
 Surface treatment: Hairline
 Applicable system: Sliding
Technical parameters: The maximum load is 160kg / 2pcs, Total height can adjust 5mm



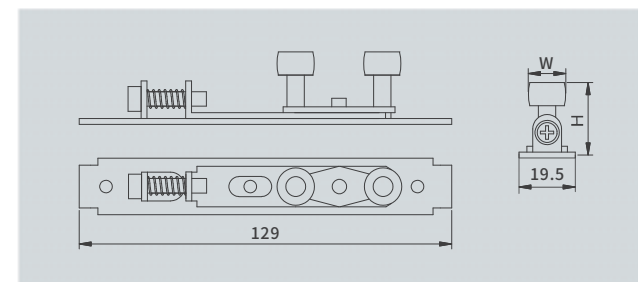
PRODUCT DESCRIPTION

Product Name: Guide pulley
 Product Code: ZDXL1140
 Surface treatment: Stainless steel matt
 Applicable system: Sliding
**Technical parameters: W = 13 ~ 24mm
 H can be 19 ~ 29mm, with 2 as the advanced unit**



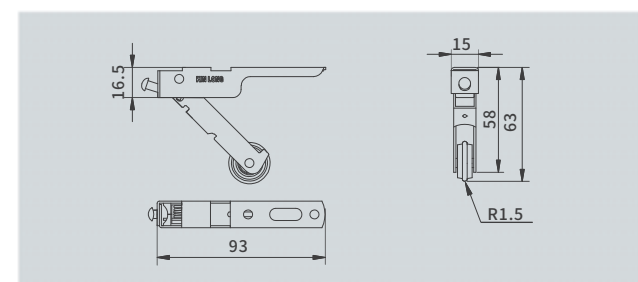
PRODUCT DESCRIPTION

Product Name: Guide pulley
 Product Code: ZDXL1141
 Surface treatment: Stainless steel matt
 Applicable system: Sliding
**Technical parameters: W = 13 ~ 24mm
 H can be 19 ~ 29mm, with 2 as the advanced unit**



PRODUCT DESCRIPTION

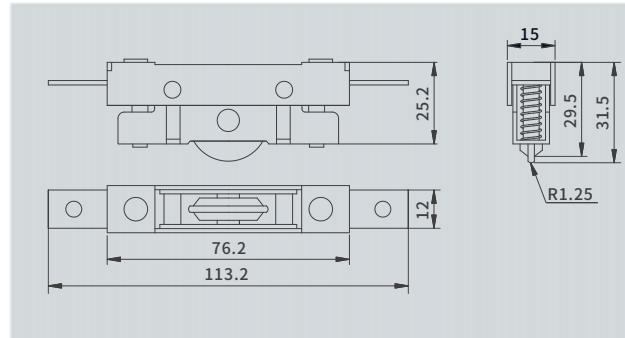
Product Name: Guide pulley
 Product Code: ZDXL10
 Surface treatment: Stainless steel matt
 Applicable system: Sliding
Technical parameters: The compressibility is 38 mm



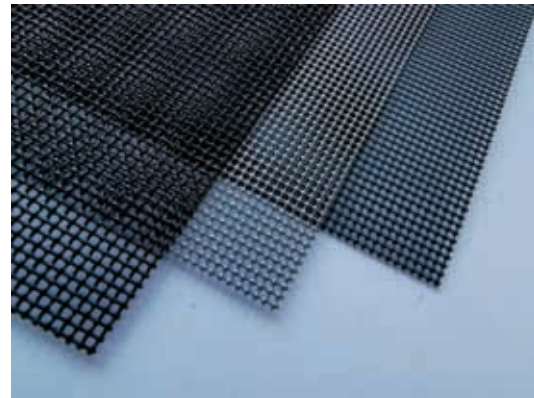
PRODUCT DESCRIPTION



Product Name: Bouncing pulley
 Product Code: ZDXL4140
 Surface treatment: Stainless steel
 Applicable system: Sliding
Technical parameters: The compressibility is 12mm



PRODUCT DESCRIPTION



Product Name: Alloy steel wire mesh (Department: Tooling 6)
 Specification and model: 50 # / 60 # / 70 # / 80 #
 Product material: high strength alloy steel wire
 Mesh: 11 / 12 / 14
 Surface color: Black / grey / white
 Width (M): 0.6/0.7/0.8/0.9/1.0/1.1/1.2/1.3/1.5/1.6
 Length (M): 31.5

Product features: good ventilation, standard mesh to anti mosquito Good choice for high pollution and coastal cities
 Cost effective, populist products

PRODUCT DESCRIPTION



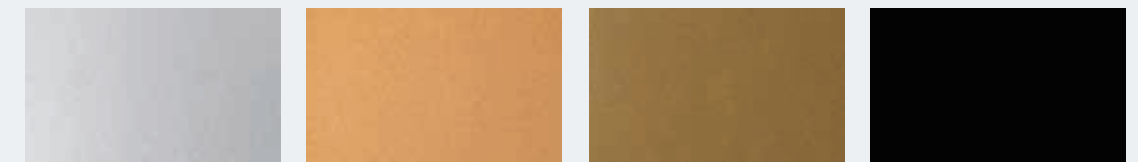
Product Name: Invisible steel mesh (Department: Tooling 6)
 Specification and model: 18 # / 22 # / L30 #
 Product material: 304
 Mesh: 18/20
 Surface color: Black
 Width (M): 0.6/0.7/0.8/0.9/1.0/1.2/1.5
 Length (M): 30

Product features: Invisible HD, clear vision, light transmittance up to 90%, Easy to cut and reduce the cost

Home decoration surface treatment

1. Decoration baking

With process of three layers coating and two baking, it is comparable to the requirements of automobile grade. It has excellent chemical resistance, wear resistance, corrosion resistance and UV resistance.



KQ Fashion Silver KQ Elegant Gold KQ Classical Copper KQ Light Ink Black



KQ Pearl White KQ Titanium Crystal Grey KQ Mocha Brown

2. Anodizing

Our product is forged by aviation grade aluminum, with the surface heat treatment, it increases the surface hardness of the product, reduce collision, firm and durable. Our anodizing adopts high-quality imported powder, it improves product texture, wear resistance and color stability by special process.



YH Fashion Silver YH Elegant Gold YH Classical Copper