

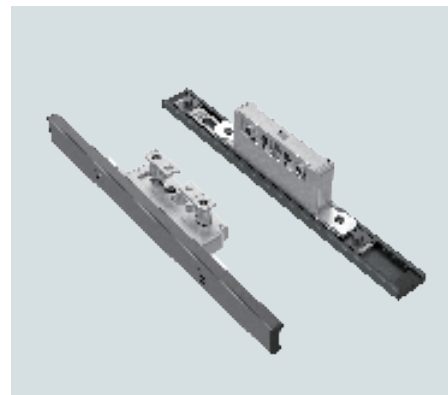
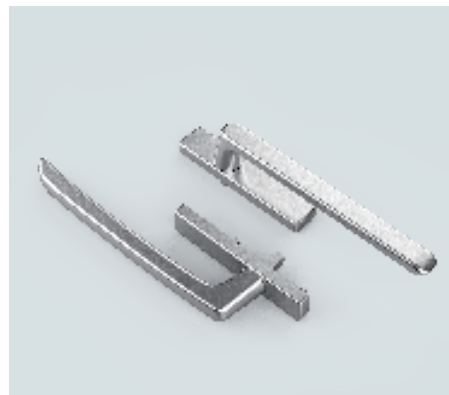
* All rights reserved.
 * The copyright is owned by CIFIAL Company.
 Any types of copying is strictly prohibited.
 * The company's products have applied for patents,
 and prevention is strictly prohibited. Violators shall bear legal responsibility.
 * Printed in August 2023

CIFIAL
 DESIGN

CIFIAL
 Centennial Inheritance European Brand

CIFIAL

Hardcover Decoration Door and
 Window Hardware Products Catalogue



Guangdong Kinlong Hardware Products Co., Ltd.

No.3, Jian Lang Rd., Tangxia Town,
 Dongguan City, China.

T: 0086-769-82166666 82136666
 F: 0086-769-82955240 82955241
 E: mail@kinlong.com
 H: www.kinlong.com

CIFIAL, S.A.

Apartado 413
 4524-907 Riomeão
 PORTUGAL
 40°57' 29.20" N
 8°35' 11.40" W
 Tel: +351 256 780 100
 Fax: +351 256 783 395
 cifial@cifial.pt
 www.cifial.pt

CIFIAL UK, Ltd.

7 Faraday Court
 Park Farm Industrial Estate
 Wellingborough,
 Northants NN8 6XY
 UK
 Phone: +44 1 933 402 008
 Fax: +44 1 933 402 063
 sales@cifial.co.uk
 www.cifial.co.uk

Hardcover Decoration Door and Window Hardware Products Catalogue

WWW.CIFIAL.PT

CIFIAL brand introduction

CIFIAL, founded in 1904 in Porto, Portugal, has been striving to explore the perfection of product innovation and process engineering with a hundred years of continuous technological innovation and management improvement. Over the years, its technology and products have become the spirit of inheritance in the field of construction. It has gained international recognition and won world-renowned design awards.



Production Scenarios of CIF Factory in 1904

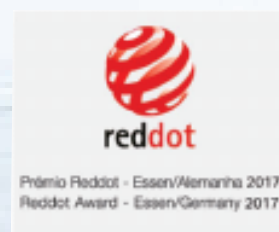


Group photo of all CIFIAL personnel in the 1940s

Everything CIFIAL does comes from continuous innovation. From product design to production and manufacturing, it reflects humanized design, green energy saving and craftsman spirit everywhere. CIFIAL product design and quality has been recognized internationally for many years, winning the world famous design awards: such as the German Reddot Award, the German IF Design Award, the Japanese G-Mark Design Award, the European Design Award EDP, the American International Design Award ADEX, etc. Over the years, CIFIAL has insisted on quality, and its technology and products have become the spirit of inheritance and craftsmanship in the field of construction.

After the baptism of the First World War and the Second World War, CIFIAL has maintained its development vitality in many world economic crises, and achieved nirvana through enterprise transformation. In its over a century long history of development, we have adhered to meticulous craftsmanship and have gained recognition from customers over the years, creating a well-known brand in the global construction industry.

In 2019, Kinlong Company, which is committed to globalization, wholly acquired the Portuguese CIFIAL Group, introducing pure European building hardware products into the Chinese market, and starting a new journey of applying CIFIAL to the hardcover house and home decoration business in China.



German Red Dot Design Award



German IF Design Award



In 2019, KIN LONG and CIFIAL signed an acquisition agreement

CIFIAL products are widely used in villas, high-end residential buildings, high-end apartments, hotels, furnished rooms, and upgrade and renovation projects. Using CIFIAL brings you a different experience for European brands!

Maintenance instructions of Hardware for Hardcover Decoration Doors & Windows

1. Please maintain the hardware regularly. The handle, hinge, friction stay and other accessories for opening should be decontaminated and dusted frequently. It is strictly prohibited to use corrosive chemicals to clean the product.
2. The movable and friction mechanism shall be properly lubricated regularly and kept clean, lubricated and free of blockage. If the screw is loosed, please repair or replace it in time.
3. Please clean the profiles when installing the products on site to prevent the effect from environment to the operation of door&window the normal opening of doors and windows.
4. The performance of doors and windows can be improved by adjustemnt if excessive gap between components or sagging of D&W existing after long-term application and even the production accuracy.
5. The window should be fully assembled with CIFIAL hardware, we are not responsible to supply the after-sale servcies to any quality problems if it's mixed with the hardware of other brands.

Attentions:

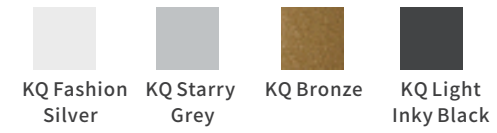
1. The application of product in the catalogue is based on the conventional application environment. In the unconventional environment, such as high salt, high humidity, high corrosion and offshore areas, please cosuntl with the technicians in advance.
2. The technical parameters and pictures of the products in the catalogue are for reference only, and the actual application shall be based on real product. We will not be responsible for the quality of the application beyond the use limit or the mixed use of products from other brand that are not recognized by the commitment.
3. With the upgrading and progress of product technology, the parameters of some products will change without further notice.
4. To ensure customer satisfaction and reduce after-sales problems. If the product is not in complete set, please communicate with the technician to ensure the safety and assemblity while mixed with hardware of other brands
5. The selection of the hardware in the catalogue is related to the parameters such as door and window materials, glass thickness, width and height ratio, etc. When selecting non-standard door and window types, please contact our technical service personnel.
6. The applicable window parameters shown in the catalogue are based on laboratory environmental test and historical application experience. Please conduct trial assembly and confirmation according to the actual application conditions. The parameters in this catalogue are not used as the basis for any litigation and compensation.
7. The products shall not be stored in the open air before installation to avoid exposure to the sun and rain.

Nordic Simplified Series Handle Color

Oxidation treatment:



Paint baking treatment:



Nordic simplicity
Quiet, simple and extraordinary

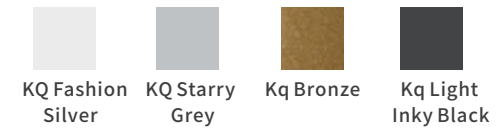


Handle Colors For Light Luxury Fashion Series

Oxidation treatment:



Paint baking treatment:



Luxury and Fashion
Concise and elegant, luxurious without flashy

The picture is for reference only, and the product is subject to the real object

New Classical style series handle color scheme

Oxidation treatment:

-  YH Fashion Silver
-  YH Starry Grey
-  YH Bronze

The new Classical style

Elegant and subtle, dignified and elegant

The picture is for reference only, and the product is subject to the real object



Please check page no.22 for more details

- ◆ Focus on R&D and innovation of high-end hardcover doors and windows hardware
- ◆ Focus on accordance of product and decoration style
- ◆ Focus on product function and appearance
- ◆ Focus on product safety



D&W System

CATALOGUE

Product Category

Inward Opening Turn&tilt Window System	001-002
Integrated Screen Window System	003-006
Door And Window Integrated System	007-008
Narrow -framed Inward&Outward Door System	009-010
Narrow -framed Siding Door System	011-012
Sliding Folding Door System	013-014
Heavy Sliding Door System	015-016
Lifting Sliding Door System	017-018
<hr/>	
Window Handle Series	019-023
Functional Handle Series	024-025
Door Handle Series	026-029
Handle&Sliding Lock Series	030-033
Hinge Series	034-041
Transmitter Series	042-044
Door Lock Series	045
Transmission Rod Series	046-050
Inward&Outward Opening Lock Plate Series	051
Sliding Lock Latch Series	052
Other Hardware Series	053-054
Pulley Series	055-060
Sreen Window Product Series	061-062

ZND120

INWARD OPENING TURN&TILT WINDOW SYSTEM



ZND120 Concealed Inward Opening Top Hang Window System

ZND120 HORIZONTAL PIVOTING WINDOW CONFIGURATION ACCESSORIES LIST

NO.	Name of accessories	Code	Quantity	Remark
1	Handle with spindle	ZS10	1	Optional handle appearance, mechanical sound and oxidation treatment
2	Transmitter	ZDA212	1	Silver/black, optional
3	Concealed Top Right Hinge	ZHY612-R	1	Optional 180 degree hinge ZHY613, exposed mounted hinge ZH210, different in left and right
4	Concealed Bottom Right Hinge	ZHY620-R	1	Optional 180 degree hinge ZHY623, exposed mounted hinge ZH211, different in left and right
5	Anti error corner device	ZJ110	1	
6	Latch	ZCX10	1	
7	Lock block	ZLP111	1	
8	Anti-drop block	ZFT10	1	
9	Support base	ZLC12	1	
10	Support block	ZLC11	1	
11	Limiter	ZFX10-12	1	Specification depends on window type, optional

NT INWARD OPENING CASEMENT SCREEN WINDOW CONFIGURATION ACCESSORIES LIST

No.	Name of accessories	Code	Quantity	Remark
1	Concealed latch lock	ZSQ20SY	1	Oxidation, optional
2	Main transmission rod	ZGZ10	1	
3	Side transmission rod	ZGB10M	2	Anti theft lock point
4	Strike	ZLP110	2	Anti theft lock block
5	Screen window hinge	ZHY512-L	1	Different in left&right style with bearing capacity of 10KG and convenient installation&uninstallation
6	Screen window hinge	ZHY512-R	1	Different in left&right style with bearing capacity of 10KG and convenient installation&uninstallation

WT OUTWARD OPENING SCREEN WINDOW CONFIGURATION ACCESSORIES LIST

No.	Name of accessories	Code	Quantity	Remark
1	Handle with spindle	ZSW10-R	1	Optional handle appearance, mechanical sound and oxidation treatment
2	Transmitter	ZDA110T	1	Center distance is adjustable 11-16mm, optional
3	Side transmission rod	ZGB10M	2	Anti theft lock point
4	Strike	ZLP110	2	Anti theft lock block
5	Screen window hinge	ZHY511-L	1	Different in left&right style with bearing capacity of 15KG
6	Screen window hinge	ZHY511-R	1	Different in left&right style with bearing capacity of 15KG
7	Support base	ZLC10	1	Options
8	Support block	ZLC11	1	Options
9	Limiter	ZFX10-12	1	Specification depends on window type, optional

CONFIGURATION SPECIFICATION

1. The inward opening turn&tilt window can meet the window width of 470-750mm and the height of 880-1500mm.
2. Please maintain the hardware regularly. The basic bearing capacity of the inward opening turn&tilt window is 90kg. It is recommended that the ration of window height to width be kept at 1.5:1.
3. Configuration description : the configuration of the inward opening turn&tilt window and inward opening screen window is ZND100-NT; The inward opening turn&tilt window and outward opening screen window is : ZND100-WT.

ZWT100

INTEGRATED SCREEN WINDOW SYSTEM

ZWT100 Integrated Screen Window System

OPEN-IN CASEMENT SCREEN WINDOW CONFIGURATION ACCESSORIES LIST

NO.	Name of accessories	Code	Quantity	Remark
1	Handle with spindle	ZS10	1	Optional handle appearance, mechanical sound and oxidation treatment
2	Transmitter	ZDA110T	1	Center distance is adjustable 11-16mm, optional
3	Side transmission rod	ZGB10M	2	Anti theft lock point
4	Strike	ZLP110	2	Anti theft lock block
5	Screen window hinge	ZHY510-L	1	Different in left&right style with bearing capacity of 10KG
6	Screen window hinge	ZHY510-R	1	Different in left&right style with bearing capacity of 10KG
7	Support base	ZLC10	1	Options
8	Support block	ZLC11	1	Options
9	wire mesh	Apennine alloy invisible yarn mesh	0.8~2.5	Wire mesh products, optional

OUTWARD OPENING CASEMENT SCREEN WINDOW CONFIGURATION ACCESSORIES LIST

NO.	Name of accessories	Code	Quantity	Remark
9	Handle with spindle	ZSW10-R	1	Optional handle appearance, mechanical sound and oxidation treatment
10	Transmitter	ZDA120T	1	Center distance is adjustable 25-32mm, optional
11	Side transmission rod	ZGB10M	2	Anti theft lock point
12	Strike	ZLP110	2	Anti theft lock block
13	Screen window hinge	ZHJ10-R	1	Different in left&right style with bearing capacity of 60KG
14	Screen window hinge	ZHJ10-L	1	Different in left&right style with bearing capacity of 60KG
15	Support base	ZLC10	1	Options
16	Support block	ZLC11	1	Options

CONFIGURATION SPECIFICATION

1. Hinge bearing capacity ≤ 60kg, window specification: 600mm(window width) * 1200mm (window height), recommended window type ratio (height/width) be kept as 1.5:1.
2. Bearing capacity of screen hinges ≤ 10kg, it is recommended that the window type ratio (height/width) be kept as 1.5:1.
3. Please maintain the hardware regularly.
4. The window is not suitable to be opened in rainy days or in of wind level above grade 4. The window should be closed in railing days or in wind level above grade 5.
5. Two types of wire mesh can be selected. Please refer to P61-P62 of the product performance introduction.
6. The window should be assembled with CIFIAL hardware, we are not responsible to supply the after-sale services to any quality problems if it's mixed with the hardware of other brands.



ZNT100

WINDOW INTEGRATED SCREEN WINDOW SYSTEM

ZNT100 Integrated Screen Window System

INWARD OPENING SCREEN WINDOW CONFIGURATION ACCESSORIES LIST

NO.	Name of accessories	Code	Quantity	Remark
1	Handle with spindle	ZSW10-R	1	Optional handle appearance, mechanical sound and oxidation treatment
2	Transmitter	ZDA110T	1	Center distance is adjustable 11-16mm, optional
3	Side transmission rod	ZGB10M	2	Anti theft lock point
4	Strike	ZLP110	2	Anti theft lock block
5	Screen window hinge	ZHY511-L	1	Different in left&right style with bearing capacity of 15KG
6	Screen window hinge	ZHY511-R	1	Different in left&right style with bearing capacity of 15KG
7	Support base	ZLC10	1	Options
8	Support block	ZLC11	1	Options
9	Limiter	ZFX10	1	Specification depends on window type, optional
10	wire mesh	Apennine alloy invisible yarn mesh	0.8~2.5	Wire mesh products, optional

INWARD OPENING SCREEN WINDOW CONFIGURATION ACCESSORIES LIST

NO.	Name of accessories	Code	Quantity	Remark
10	Handle with spindle	ZS10	1	Optional handle appearance, mechanical sound and oxidation treatment
11	Transmitter	ZDA120T	1	Center distance is adjustable 11-16mm, optional
12	Side transmission rod	ZGB10M	2	Anti theft lock point
13	Strike	ZLP110	2	Anti theft lock block
14	Screen window hinge	ZHY621-L	1	Different in left&right style with bearing capacity of 60KG
15	Screen window hinge	ZHY621-R	1	Different in left&right style with bearing capacity of 60KG
16	Support base	ZLC10	1	Options
17	Support block	ZLC11	1	Options

CONFIGURATION SPECIFICATION

1. Hinge bearing capacity: $\leq 60\text{kg}$, window specification: 750mm(window width) * 1200mm(window height), recommended window type ratio (height/width) be kept as 1.5:1.
2. The external screen window must be equipped with peg stay/limiter. Please keep it normally closed to avoid damage to hardware caused by excessive wind. Bearing capacity of screen hinges $\leq 15\text{kg}$, it is recommended that the window type ratio (height/width) be kept as 1.5:1
3. Please maintain the hardware regularly. The window is not suitable to be opened in rainy days or in of wind level above grade 4. The window should be closed in raining days or in wind level above grade 5.
4. Two types of wire mesh can be selected, refer to the product performance introduction.
5. The window should be assembled with CIFIAL hardware, we are not responsible to supply the after-sale services to any quality problems if it's mixed with the hardware of other brands.

ZDM100

DOOR AND WINDOW INTEGRATED HARDWARE SYSTEM

ZDM100 Inward Opening Tilt&Turn Window

ACCESSORIES LIST

NO.	Name of accessories	Code	Quantity	Remark
1	Handle with spindle	ZS10	1	Optional handle appearance, mechanical sound and oxidation treatment
2	Transmitter	ZDA211	1	Optional ZDA210
3	Corner device	ZJ110	1	
4	Corner device	ZJ210	3	
5	Strike	ZLP111	2	
6	Strike	ZLP114	2	
7	Strike	ZLP116	2	
8	Tension rod	ZLG111	1	
9	Connecting linkage	ZGZ22M	1	
10	Middle transmission rod	ZGZ21M	2	
11	Upper hinge	ZH210-R	1	Different in Left and right
12	Bottom hinge	ZH211-R	2	Different in Left and right
13	Upper hinge	ZH212-R	1	Different in Left and right

RECOMMENDED HANDLE



ZS10



ZS30

See P20 for more options of handle series products

Oxidation treatment



Paint baking treatment:



CONFIGURATION SPECIFICATION

1. The basic bearing capacity is 120kg. It can meet the door type within the range of 500~900mm width and 2200mm height.
2. Please maintain the hardware regularly
3. It shall be used for indoor partition.

ZBM100 Narrow Frame Inward&Outward Opening Door Hardware System

ACCESSORIES LIST

NO.	Name of accessories	Code	Quantity	Remark
1	Door handle	ZSQ210	1	Different inLeft and right
2	Hinge	ZHQ110-L/R	2	Options

CONFIGURATION SPECIFICATION

1. Bearing capacity of stainless steel hinge ≤ 40kg
2. Please maintain the hardware regularly
3. The window should be assembled with CIFIAL hardware,we are not responsible to supply the after-sale servcies to any quality problems if it's mixed with the hardware of other brands.



ZDT100 SERIES

HARDWARE OF NARROW FRAME SLIDING DOOR



ZDT100 HARDWARE OF NARROW FRAME SLIDING DOOR

ACCESSORIES LIST

Buffering hanging system

No.	Name of accessories	Code	Product Pictures(Qty as per the drawing)	Guide rail diagram
1	C-type two way buffering hanging roller system with fast unistallation (recommended)	ZDTK10		
2	General one-way buffering hanging roller system	ZDTC10		
3	General two way buffering hanging roller system	ZDTC20		

Linkage Buffering Hanging System

No.	Name of accessories	Code	Product Pictures(Qty as per the drawing)
1	2+0 type synchronous double leaf linkage accessories	ZDTL20	
2	2+1 type synchronous double leaf linkage accessories	ZDTL21	
3	3+0 type synchronous double leaf linkage accessories	ZDTL30	
4	3+1 type synchronous double leaf linkage accessories	ZDTL31	
5	2+2type synchronous double leaf linkage accessories	ZDTL22	

Handle

1	handle	ZDTS10	
---	--------	--------	--

CONFIGURATION SPECIFICATION

- 1、 Buffering Hanging System takes one sash as a set, and each sash is equipped with sliding configuration. It is recommended to equip with two handles
- 2、 The optimum load of the buffer hanging system is 50~80kg, the applicable door thickness is $\geq 30\text{mm}$, and the height adjustment is $\pm 2.5\text{mm}$
- 3、 Linkage buffer configuration includes 1 set of functional parts (functions are selected according to requirements); It is recommended to equip 2 handles (according to the number of door leaves).
- 4、 The optimal load of the linkage buffer system is 60kg - 80kg, the applicable door thickness is $\geq 30\text{mm}$, the applicable door width is $\geq 770\text{mm}$, and the height adjustment is $\pm 2.5\text{mm}$

ZTD100 SERIES

SLIDING AND FOLDING DOOR HARDWARE SYSTEM

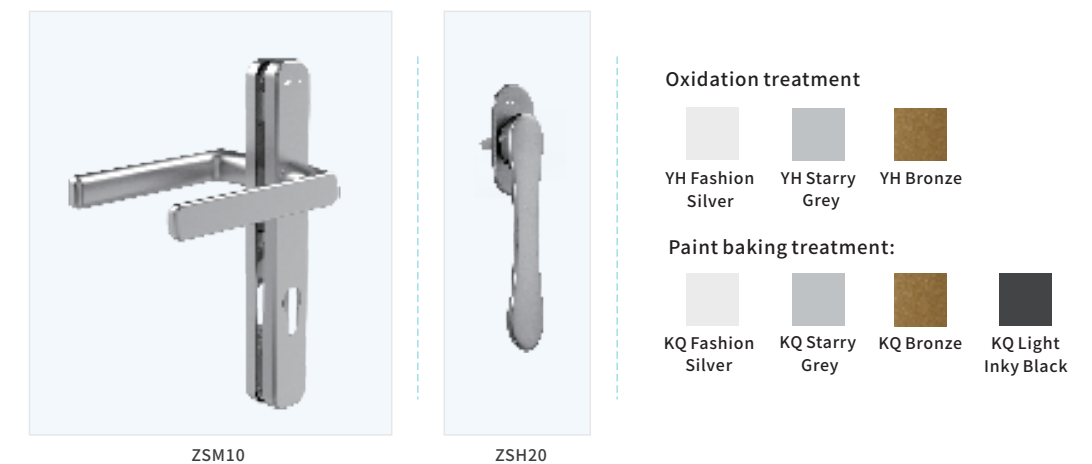


ZTD100 SLIDING AND FOLDING DOOR HARDWARE SYSTEM

ACCESSORIES LIST

No.	Name of accessories	Code	Quantity	Remark
1	Door handle	ZSM10	1	Baking varnish,Optional
2	Door lock	ZMS3292/II	1	
3	Coverplate	ZMK12	1	
4	Transmitter	ZDB130	2	
5	Handle	ZSH20	2	Baking varnish,Optional
6	Latch bar	ZCX12	4	
7	Lock cylinder	ZMX4747/T	1	According to the thickness of the profile
8	Upper hinge system	ZTD100-01	1	Baking varnish
9	Bottom hinge system	ZTD100-02	1	Baking varnish
10	Side hinge	ZTD100-05	9	Baking varnish

RECOMMENDED HANDLE



CONFIGURATION SPECIFICATION

1. The upper hinge system has the self balancing ability, which makes it easier and smoother to slide the door leaf, and can bear the weight by both top and bottom.
2. It can meet the odd number of door configurations, such as 431, 633, etc., and the door is 800mm width, 2400mm height, and weight no more than 90kg.
3. Please maintain the hardware regularly.

ZTM100 SERIES

HEAVY DUTY SLIDING DOOR HARDWARE SYSTEM



ZTM100 HEAVY DUTY SLIDING DOOR HARDWARE SYSTEM

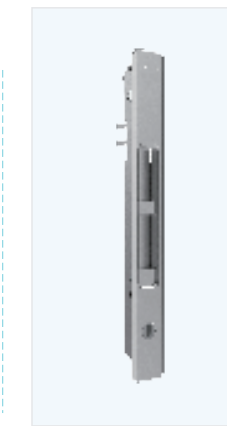
ACCESSORIES LIST

No.	Name of accessories	Code	Quantity	Remark
1	Sliding lock	ZTS210SY	2	Oxidation, optional
2	Clasp	ZTK10Y	4	Oxidation, optional
3	Handle	ZTL11Y	2	Oxidation, optional
4	Hook lock	ZMSG2820/II	1	
5	Coverplate	ZMK10	1	
6	Lock cylinder box	ZMH10Y	1	Oxidation
7	Lock cylinder	ZMX3737/T	1	Depending on the thickness of the profile
8	Transmisson rod	ZGS10M-L	2	The length specification depends on the door type
9	Buckle	ZLM214	4	
10	Pulley	ZRM410	8	Depending on the profile
11	Guide pulley	ZDL110	8	Depending on the profile
12	Bumper block	ZFZ11	6	

RECOMMENDED HANDLE



ZTL11Y



ZTS210SY

See P31 for more options of handle series products

Oxidation treatment



YH Fashion
Silver

YH Starry
Grey

YH Bronze

CONFIGURATION SPECIFICATION

1. The bearing capacity of pulley is $\leq 120\text{kg}$, which is determined according to the specification of roller groups.
2. The lock catch can be made of stainless steel.
3. The window should be assembled with CIFIAL hardware, we are not responsible to supply the after-sale services to any quality problems if it's mixed with the hardware of other brands.

ZTL100 SERIES

LIFTING SLIDING DOOR HARDWARE SYSTEM



ZTL100 LIFTING SLIDING DOOR HARDWARE SYSTEM

ACCESSORIES LIST

No.	Name of accessories	Code	Quantity	Remark
1	Door handle	ZST10	1	Paint, optional
2	Transmission lock	ZTL100-01	1	The total length can be customized
3	Supporting block	ZTL100-02	8	Height can be customized
4	Rear pulley	ZTL100-03	1	
5	Front pulley	ZTL100-04	1	
6	Buckle	ZTL100-05	2	Optional
7	Left positioning block	ZTL100-06L	1	Left and right
8	Right positioning block	ZTL100-06R	1	Left and right
9	Connecting rod	ZTL100-07-400	1	The specification depends on the door type
10	Supporting base	ZTL100-08	1	Height can be customized
11	Waterproof cover	ZTL100-09	2	
12	Supporting block	ZTL100-10	3	
13	Left cover plate	ZTL100-11L	1	Left and right
14	Upper cover plate	ZTL100-12	1	
15	Right blocking end	ZTL100-13R	1	Left and right
16	Bumper block	ZFZ13	1	
17	Anti-theft block	ZFD20	1	
18	Plastic cushion block	ZTL100-15	3	

RECOMMENDED HANDLE



ZST110



ZST131

CONFIGURATION

1. The maximum weight of the sliding sash is 300kg and effected by the capacity of roller.
2. Please pay attention to the installation position of the lock buckle.
3. If the handle need to have lock cylinder, please consult with us freely.
4. The maximum width of the sash is 3000mm, the maximum opening is 2800mm, and the maximum height of the sash is 2675mm.
5. The middle pulley is recommended for single door with width exceeding 2000mm.



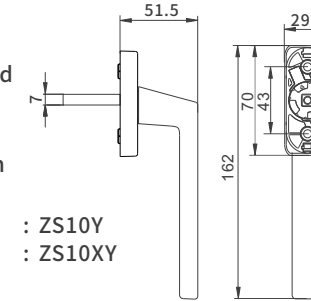
HANDLE WITH SPINDLE SERIES

NORDIC MINIMALISM

Handle With Spindle

Suitable for application :
Inward&Outward Opening Windowand
Turn&Tilt Window
Technical Parameter:
Exposed Spindle Length:24mm,42mm
Optional:

- Oxidation : ZS10Y
- Oxidation with mechanical sound during operation : ZS10XY
- Oxidation with surface effect of Chinese style : ZS60Y



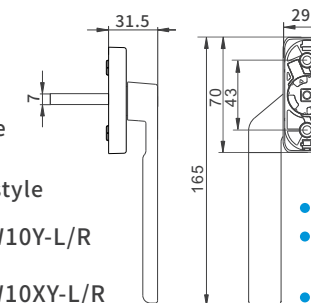
- Baking varnish : ZS10
- Oxidation with mechanical sound during operation : ZS10X
- Oxidation with mechanical sound during operation and surface effect of Chinese style : ZS60XY



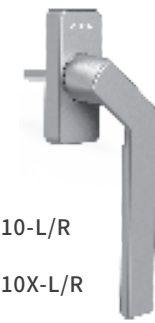
Handle With Spindle

Suitable for application :Inward&
Outward Opening Window.
Technical Parameter:Exposed Spindle
Length:24mm,42mm
The product is different in left&right style

- Optional:
- Oxidation : ZSW10Y-L/R
 - Oxidation with mechanical sound during operation : ZSW10XY-L/R
 - Oxidation with surface effect of Chinese style : ZSW60Y



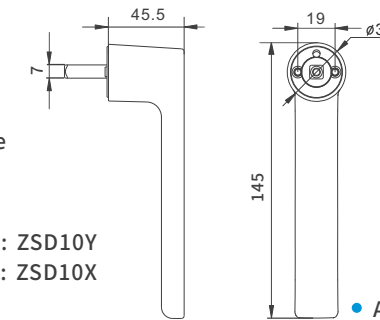
- Baking varnish : ZSW10-L/R
- Oxidation with mechanical sound during operation : ZSW10X-L/R
- Oxidation with mechanical sound during operation and surface effect of Chinese style : ZSW60XY-L/R



Handle without base

Suitable for application :
Inward&Outward Opening Window.
Technical Parameter:Exposed Spindle
Length:24mm,42mm

- Optional:
- Oxidation : ZSD10Y
 - Amino baking varnish with mechanical sound during operation : ZSD10X
 - Oxidation with mechanical sound : ZSD10XY



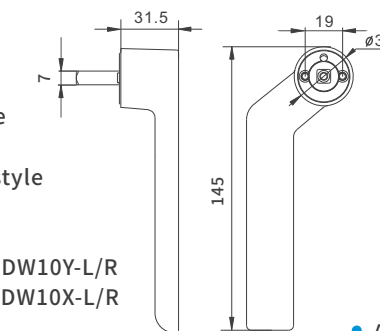
- Amino baking varnish : ZSD10



Handle without base

Suitable for application :
Inward&Outward Opening Window.
Technical Parameter:Exposed Spindle
Length:24mm,42mm
The product is different in left&right style

- Optional:
- Oxidation : ZSDW10Y-L/R
 - Amino baking varnish with mechanical sound during operation : ZSDW10X-L/R
 - Oxidation with mechanical sound : ZSDW10XY-L/R



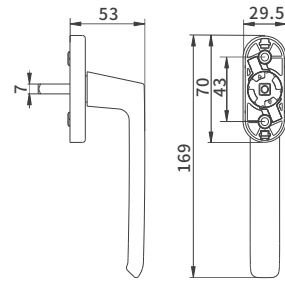
- Amino baking varnish : ZSDW10-L/R



COLORS



NORDIC MINIMALISM

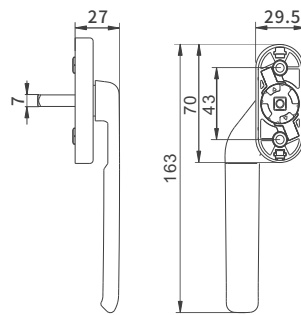


Handle With Spindle

Suitable for application :Inward& Outward Opening Window and Turn &Tilt Window
 Technical Parameter:Exposed Spindle Length:24mm,42mm

- Optional:
- Oxidation : ZS22Y
 - Amino baking varnish with mechanical sound : ZS22X
 - Oxidation with mechanical sound: : ZS22XY

• Amino baking varnish : ZS22

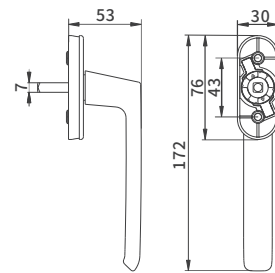


Handle With Spindle

Suitable for application :Inward& Outward Opening Window.
 Technical Parameter:
 Exposed Spindle Length:24mm,42mm.
 It's different in left&right style

- Optional:
- Oxidation : ZSW22Y-L/R
 - Amino baking varnish with mechanical sound : ZSW22X-L/R
 - Oxidation with mechanical sound: : ZSW22XY-L/R

• Amino baking varnish : ZSW22-L/R

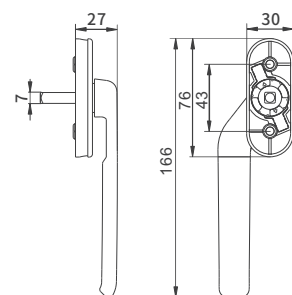


Handle With Spindle

Suitable for application :Inward& Outward Opening Window and Turn &Tilt Window
 Technical Parameter:Exposed Spindle Length:24mm,42mm

- Optional:
- Amino baking varnish with mechanical sound : ZSG22X

• Amino baking varnish : ZSG22



Handle With Spindle

Suitable for application :Inward& Outward Opening Window.
 Technical Parameter:
 Exposed Spindle Length:24mm,42mm.
 It's different in left&right style

- Optional:
- Amino baking varnish with mechanical sound : ZSWG22X-L/R

• Amino baking varnish : ZSWG22-L/R

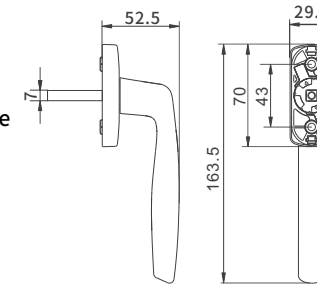
ENTRY LUXURY FASHION

Handle With Spindle

Suitable for application :Inward& Outward Opening Window and Turn &Tilt Window
 Technical Parameter:Exposed Spindle Length:24mm,42mm

- Optional:
- Oxidation : ZS30Y
 - Amino baking varnish with mechanical sound : ZS30X
 - Oxidation with mechanical sound : ZS30XY

• Amino baking varnish : ZS30

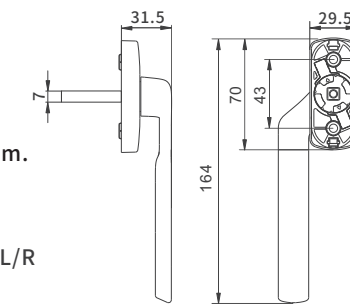


Handle With Spindle

Suitable for application :Inward& Outward Opening Window.
 Technical Parameter:
 Exposed Spindle Length:24mm,42mm.
 It's different in left&right style

- Optional:
- Oxidation : ZSW30Y-L/R
 - Amino baking varnish with mechanical sound : ZSW30X-L/R
 - Oxidation with mechanical sound: : ZSW30XY-L/R

• Amino baking varnish : ZSW30-L/R

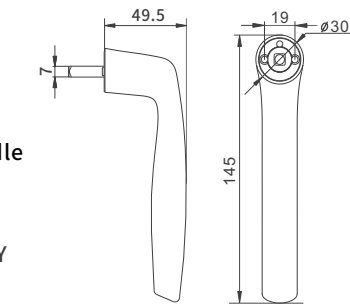


Handle without base

Suitable for application :Inward& Outward Opening Window and Turn &Tilt Window
 Technical Parameter:Exposed Spindle Length:24mm,42mm

- Optional:
- Oxidation : ZSD30Y
 - Amino baking varnish with mechanical sound : ZSD30X
 - Oxidation with mechanical sound: : ZSD30XY

• Amino baking varnish : ZSD30

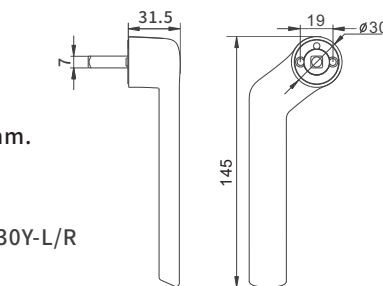


Handle without base

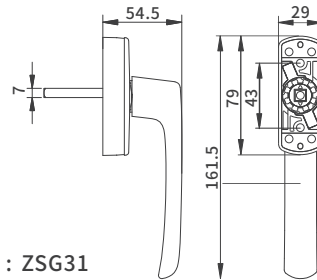
Suitable for application :Inward& Outward Opening Window.
 Technical Parameter:
 Exposed Spindle Length:24mm,42mm.
 It's different in left&right style

- Optional:
- Oxidation : ZSDW30Y-L/R
 - Amino baking varnish with mechanical sound : ZSDW30Y-L/R
 - Oxidation with mechanical sound: : ZSDW30XY-L/R

• Amino baking varnish : ZSW30-L/R



ENTRY LUXURY FASHION



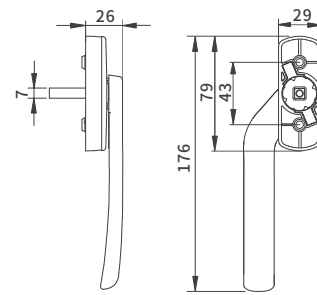
• Amino baking varnish : ZSG31

Handle With Spindle

Suitable for application :Inward& Outward Opening Window and Turn &Tilt Window
 Technical Parameter:Exposed Spindle Length:24mm,42mm

Optional:

- Amino baking varnish with mechanical sound : ZSG31X



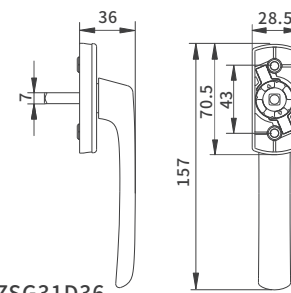
• Amino baking varnish : ZSWG31-L/R

Handle With Spindle

Suitable for application :Inward& Outward Opening Window.
 Technical Parameter:
 Exposed Spindle Length:24mm,42mm.
 It's different in left&right style

Optional:

- Amino baking varnish with mechanical sound : ZSWG31X-L/R



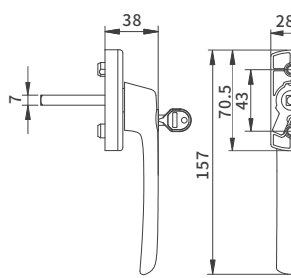
• Amino baking varnish : ZSG31D36

Handle With Spindle

Suitable for application :Inward& Outward Opening Window and Turn &Tilt Window
 Technical Parameter:Exposed Spindle Length:24mm,42mm

Optional:

- Amino baking varnish with mechanical sound : ZSG31XD36



• Amino baking varnish : ZSG31SD38

Handle With Spindle

Suitable for application :Inward& Outward Opening Window and Turn &Tilt Window
 Technical Parameter:Exposed Spindle Length:24mm,42mm

Optional:

- Amino baking varnish with mechanical sound : ZSG31SXD38

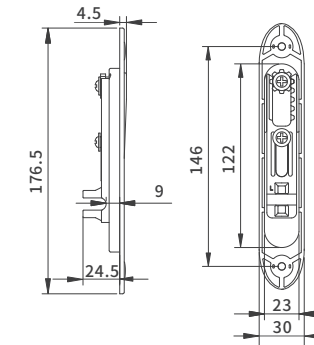
FUNCTION HAND

Concealed Handle

Suitable for application : Screen Window
 Technical Parameter:
 It's different in left&right style

Optional:

- Amino baking varnish : ZSK721S-L/R (With key for all locks)



• Amino baking varnish : ZSK721-L/R

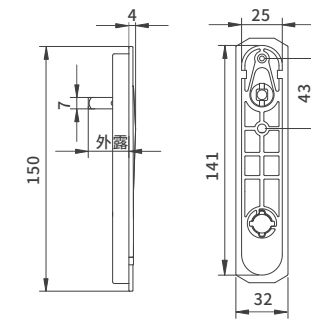


Concealed Handle

Suitable for application : Screen Window
 Technical parameter:
 Exposed spindle length 25mm

Optional:

- Amino paint key : ZSK821S (One key opens)

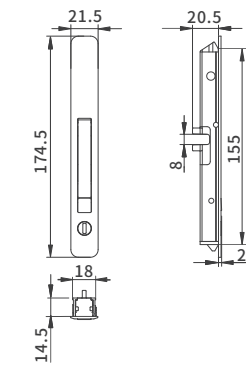


• Amino baking varnish : ZSK821



Concealed Automatic Handle

Adapting system: Screen window
 Technical parameters: The minimum thickness of the selected profile is 15mm



• Oxide key payment : ZSQ20SY

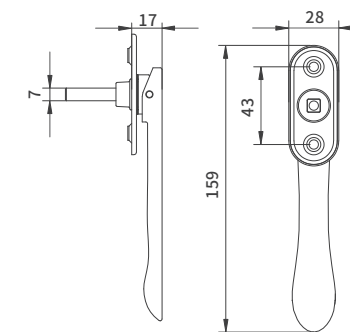


Single Locking Point Lock

Suitable for application : Screen window and Sliding&folding system
 Technical parameter:Exposed Spindle Length:20mm,25mm,30mm

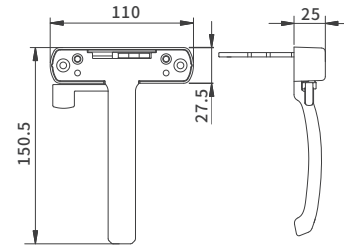
Optional:

- Oxidation treatment : ZSH20Y



• Amino baking varnish : ZSH20

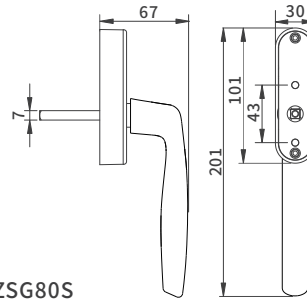




- Amino baking varnish :ZSF181

Fork Handle

Suitable for application :
Inward&Outward Opening Window
Technical Parameter:Exposed spindle length:20~60mm

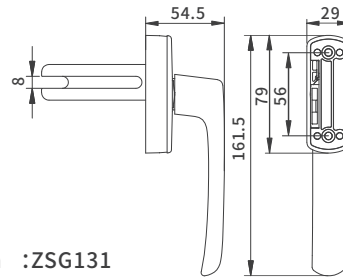


- Amino baking varnish :ZSG80S

Handle With Spindle

Suitable for application :
Inward&Outward Opening Window and Turn&Tilt Window
Technical parameter:Exposed Spindle Length:24mm,42mm
One key for all the locks
Optional:

- Fork handle :ZSG180S



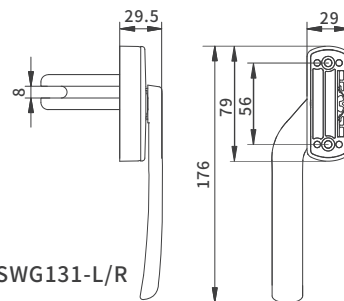
- Amino baking varnish :ZSG131

Fork Handle

Suitable for application :
Inward&Outward Opening Window
Technical Parameter:Exposed spindle length:20~70mm

Optional:

- Amino baking varnish with : ZSG131X mechanical sound



- Amino baking varnish :ZSWG131-L/R

Fork Handle

Suitable for application :
Inward&Outward Opening Window
Technical Parameter:
Exposed spindle length:20~50mm

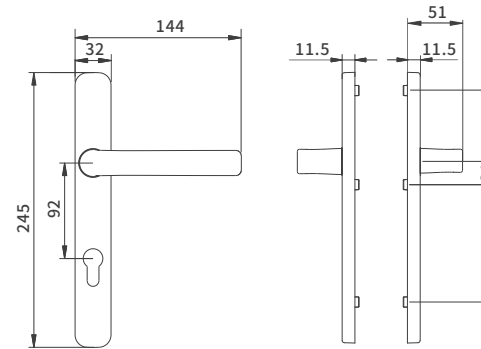
Optional:

- Amino baking varnish with mechanical sound : ZSWG131X-L/R

DOOR HANDLE

Door Handle

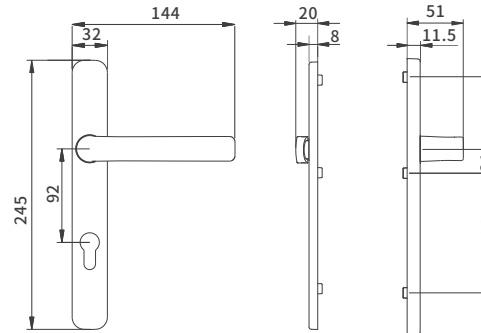
Surface treatment: Amino baking varnish
Suitable for application :
Inward&Outward Opening Window
Technical parameters: The length of square steel is H+2 * (15~20) mm,The length ends with 0 and 5 (end with 1~4 can be rounded as 0,end with 5~9 can be rounded as 5))The length of the screw is H+(10~15) mm,The length ends with 0 and 5 (end with 1~4 can be rounded as 0,end with 5~9 can be rounded as 5))



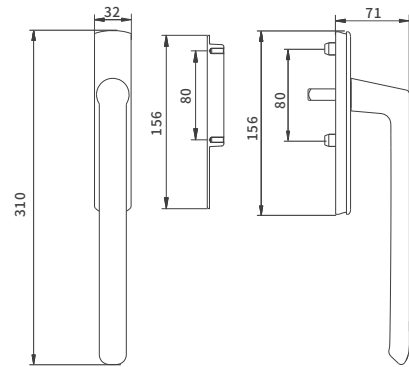
- ZSM10

Door Handle

Surface treatment: Amino baking varnish
Adaptation system: Screen integrated with door



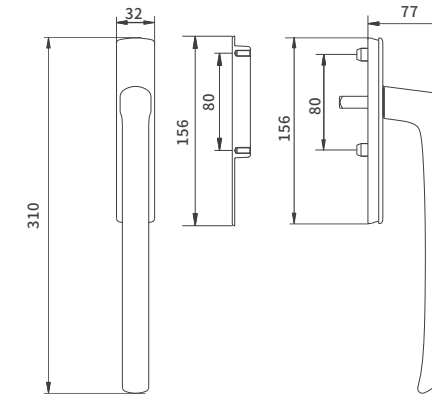
- ZSMS10



Door Handle

Surface treatment: Amino baking varnish
 Suitable for application: Lifting sliding door

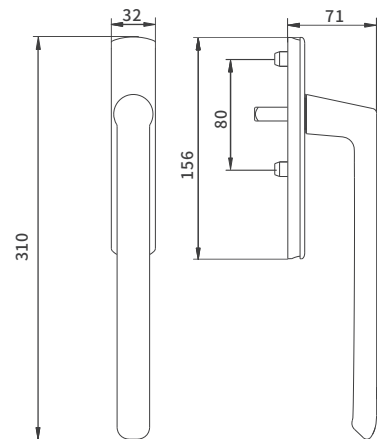
• ZST110



Door Handle

Surface treatment: Amino baking varnish
 Suitable for application: Lifting sliding door

• ZST131



Door Handle

Surface treatment: Amino baking varnish
 Suitable for application: Lifting sliding door

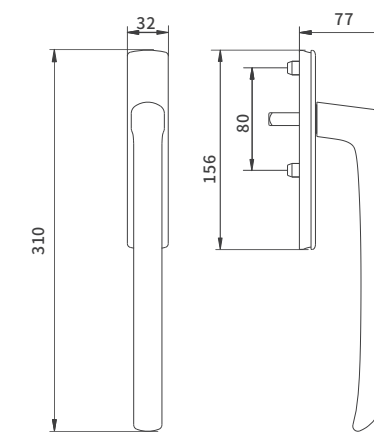
• ZST10

Optional

- Single side with lock cylinder model :ZST10S
- Double side with lock cylinder model :ZST210S

Door Handle

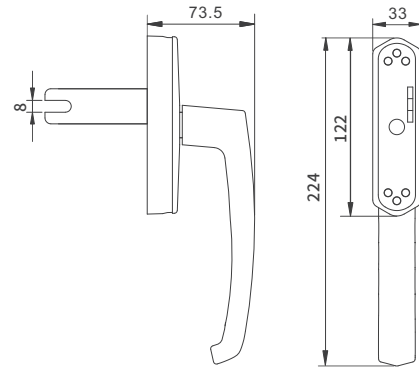
Surface treatment: Amino baking varnish
 Suitable for application: Lifting sliding door



• ZST31

Optional

- Single side with lock cylinder model :ZST31S
- Double side with lock cylinder model :ZST231S



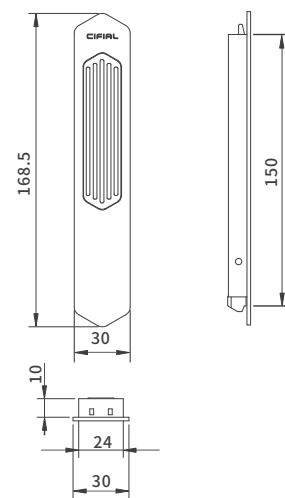
Door Handle

Surface treatment: Amino baking varnish
 Suitable for application: Sliding door
 Technical parameters: Tongue length exposed 20~70mm, Spindle exposed length L=20~80mm (ended with 5 or 0)

- Pullout fork : ZSM115

Optional:

- Square steel : ZSM15



Decorative Sliding Handle

Surface treatment: Amino baking varnish
 Suitable for application: Sliding door

- Amino baking varnish : ZTK15



HANDLE
 &
 SLIDING LOCK

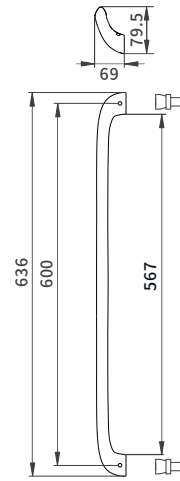
- ✓ Safety
- ✓ Durability
- ✓ Aesthetics
- ✓ Multi-color
- ✓ Originality

The picture is for reference only,
 and the product is subject to the real object

HANDLE



• ZTL10Y

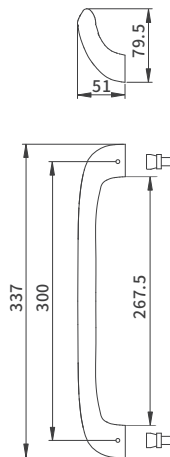


Handle

Surface treatment: Anodic oxidation
 Suitable for application: Sliding D&W
 Technical parameters: The center distance is 600mm



• ZTL11Y



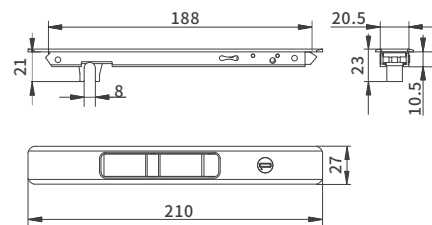
Handle

Surface treatment: Anodic oxidation
 Suitable for application: Sliding door
 Technical parameters: The center distance is 300mm

SLIDING LOCK



• With lock cylinder :ZTS210SY



Sliding Lock

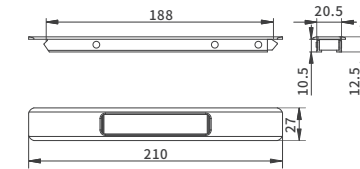
Surface treatment: Anodic oxidation
 Suitable for application: Sliding D&W
 Technical parameters: Adaptive profile thickness 25~35mm, multi-point locking

Optional:

- No lock cylinder :ZTS210Y

Decorative Sliding Handle

Surface treatment: Anodic oxidation
 Suitable for application: Sliding D&W
 Technical parameters: Adaptive profile thickness ≥ 25 mm

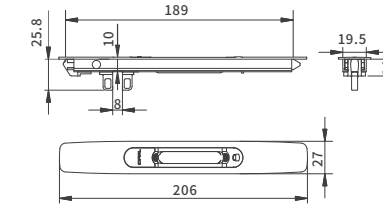


• ZTK10Y



Sliding Lock

Surface treatment: Amino baking varnish
 Suitable for application: Sliding D&W
 Technical parameters: The minimum thickness of adaptive profile is 30mm, multi-point locking, and the key cannot be used for all doors



• ZTS211

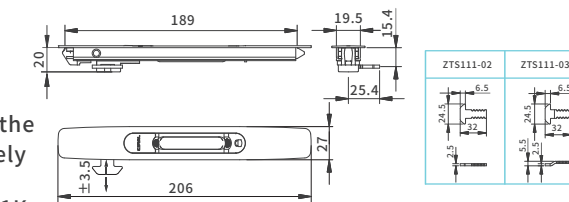


Optional:

- With lock :ZTS211S

Sliding Lock

Surface treatment: amino baking varnish
 Suitable for application: Sliding D&W
 Technical parameters: the minimum thickness of the adaptive profile is 30mm, The key cannot be fused for all doors, and the locking hook needs to be ordered separately



• ZTS111

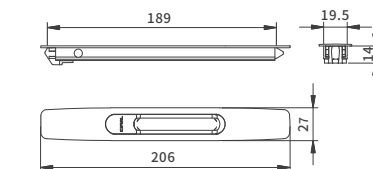


Optional:

- Automatic lock :ZTS111K
- With lock cylinder :ZTS111S
- Automatic lock with lock cylinder :ZTS111KS

Decorative Sliding Handle

Surface treatment: Amino baking varnish
 Suitable for application: Sliding D&W

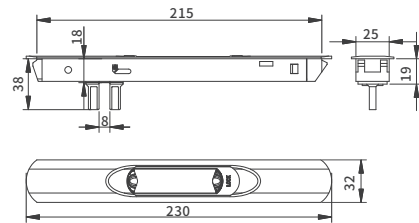


• ZTK11





• ZTS212Y

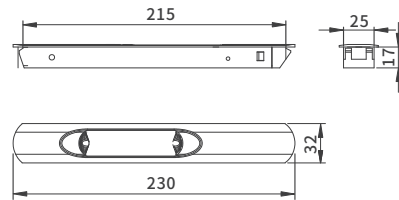


Sliding Lock

Surface treatment: Anodic oxidation
 Suitable for application: Sliding D&W
 Technical parameters: The minimum thickness of the adaptive profile is 45mm, and the single point/multi-point locking function



• ZTK12Y

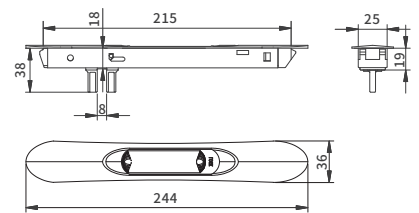


Decorative Sliding Handle

Surface treatment: Anodic oxidation
 Adapting system: Sliding D&W
 Technical parameters: The minimum thickness of adaptive profile is 45mm



• ZTS213Y

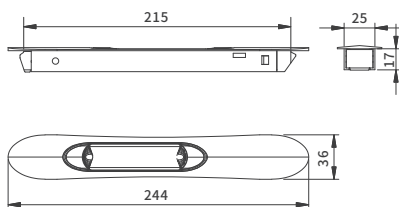


Sliding Lock

Surface treatment: Anodic oxidation
 Adapting system: Sliding D&W
 Technical parameters: The minimum thickness of the adaptive profile is 45mm, and the single point/multi-point locking function



• ZTK13Y

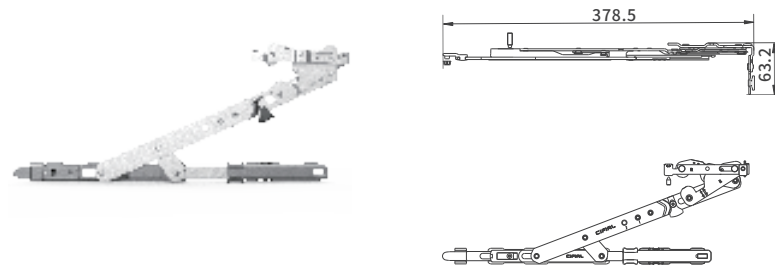


Decorative sliding handle

Surface treatment: Anodic oxidation
 Adapting system: Sliding D&W
 Technical parameters: The minimum thickness of adaptive profile is 45mm



CONCEALED WINDOW HINGE



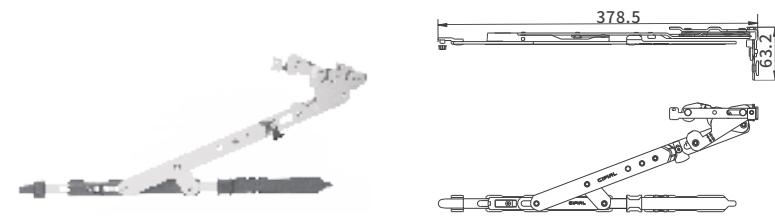
• ZHY610-L/R

Concealed Window Hinge

Surface treatment: Sanding
 Adapting system: Horizontal pivoting window
 Technical parameters: The maximum load is 90kg, which is used together with ZHY620-L/R, and the product has left and right style

Optional:

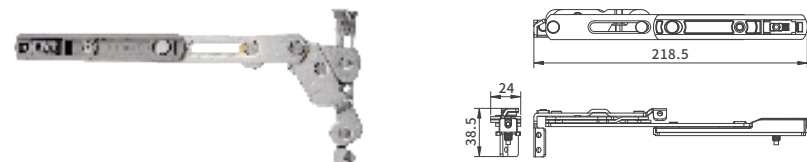
- 23/27 notch model : ZHY610K-L/R



• ZHY612-L/R

Concealed Window Hinge

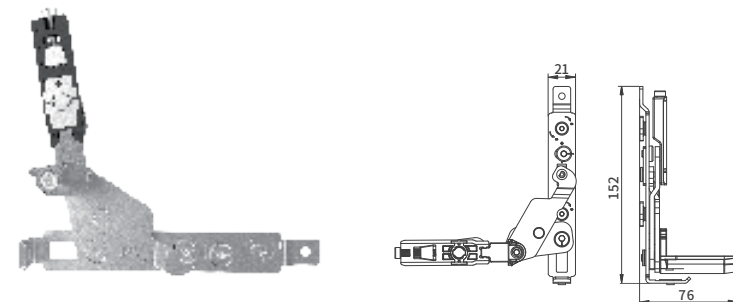
Surface treatment: Sanding
 Adapting system: Horizontal pivoting window
 Technical parameters: The maximum load is 90kg, which is used together with ZHY620-L/R, and the products have left and right



• ZHY611-L/R

Concealed Window Hinge

Surface treatment: Sanding
 Adapting system: Inward-opening window
 Technical parameters: The maximum load is 90kg, which is used together with ZHY620-L/R, and the products have left and right



• ZHY620-L/R

Concealed Window Hinge

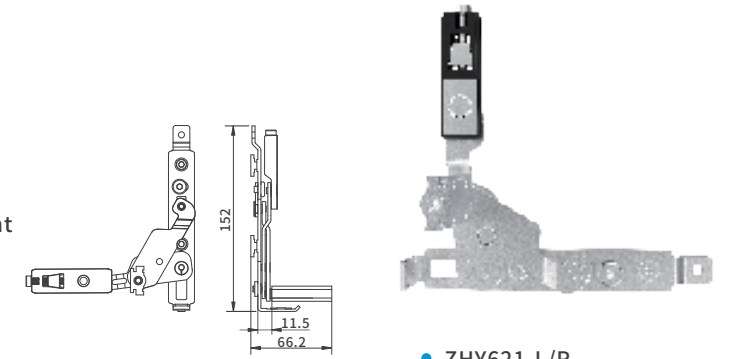
Surface treatment: Sanding
 Adapting system: Horizontal pivoting window & Inward-opening window
 Technical parameters: The maximum load is 90kg, which can be used together with ZHY620-L/R or ZHY611-L/R or ZHY612-L/R, and the product has left and right

Optional:

- 23/27 notch model : ZHY620K-L/R

Concealed Window Hinge

Surface treatment: Sanding
 Adapting system: Inward-opening window
 Technical parameters: The maximum load is 60kg, one piece for each of the left and right parts, as one set each, and the product has left and right style.
 Window type specification: 750 * 1200 (width * height), opening angle 100°.



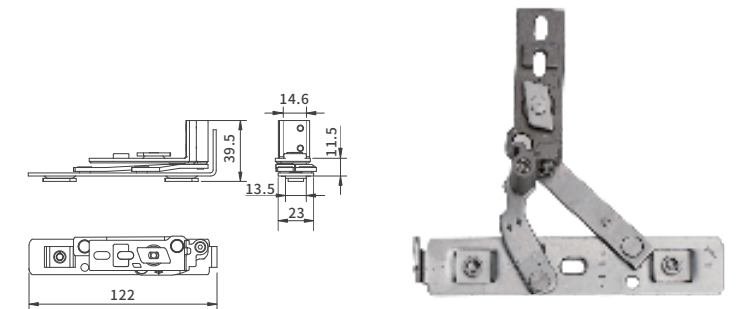
• ZHY621-L/R

Concealed Screen Window Hinge

Surface treatment: Sanding
 Adapting system: Inward-opening screen window
 Technical parameters: The maximum load is 10kg, the opening angle is 90°, and the product has left and right style

Optional:

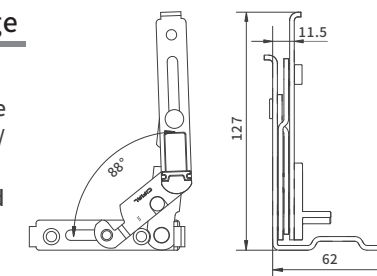
- 23/27 notch model : ZHY510K-L/R



• ZHY510-L/R

Concealed Screen Window Hinge

Surface treatment: Sanding
 Adaptation system: Screen window (hinge must be used together with wind support/limiter when opening the screen window)
 Technical parameters: The maximum load is 15kg, the opening angle is 88°, and the product has left and right style



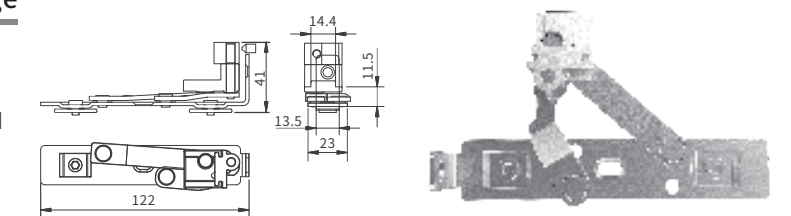
• ZHY511-L/R

Concealed Screen Window Hinge

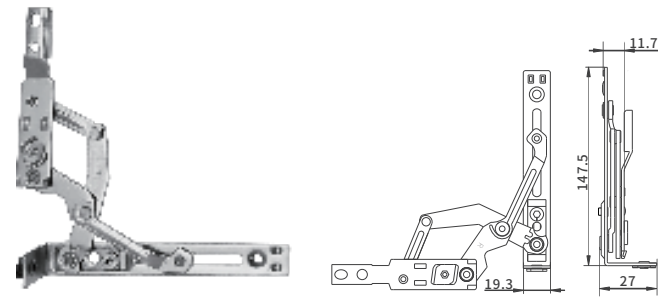
Surface treatment: Sanding
 Adapting system: Open-in screen
 Technical parameters: The maximum load is 10kg, the opening angle is 90°, quick disassembly and assembly, and the product has left and right style

Optional:

- 23/27 notch model : ZHY512K-L/R



• ZHY512-L/R

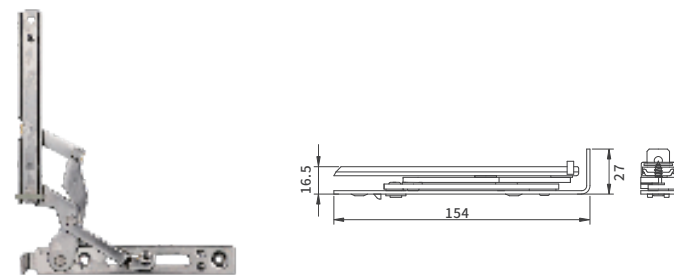


• ZHY513-L/R

Concealed Screen Window Hinge

Surface treatment: Sanding
 Adapting system: Inward-opening screen window
 Technical parameters: The maximum load is 10kg, the opening angle is 180°, the angle can be adjusted, the assembly and disassembly are fast, and the product has left and right style

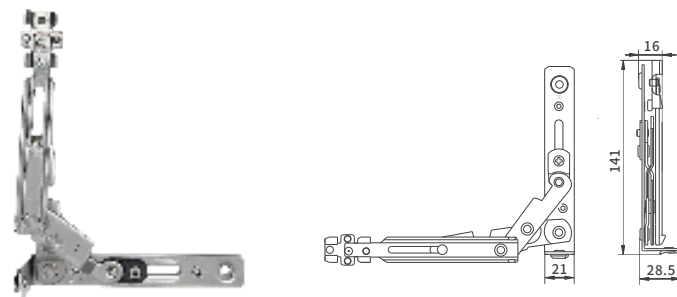
Optional:
 • 23/27 notch model : ZHY513K-L/R



• ZHY514-L/R

Concealed Screen Window Hinge

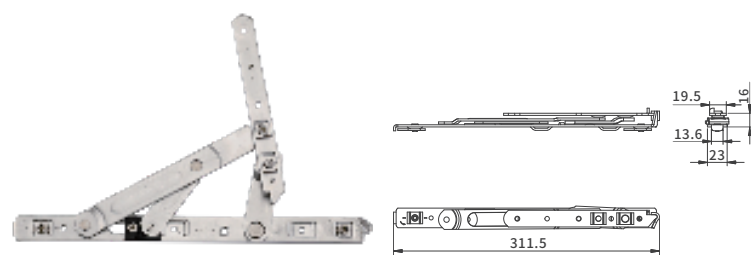
Surface treatment: Sanding
 Adapting system: Inward-opening screen window
 Technical parameters: The maximum load is 10kg, the opening angle is 180°, and the product has left and right style



• ZHY515-L/R

Concealed Window Hinge

Surface treatment: Sanding
 Adaptation system: Screen window (hinge must be used together with wind support/limiter when opening the screen window)
 Technical parameters: The maximum load is 10kg, the angle can be adjusted, the opening angle is 89°, and the product has left and right style



• ZHJ10-L/R

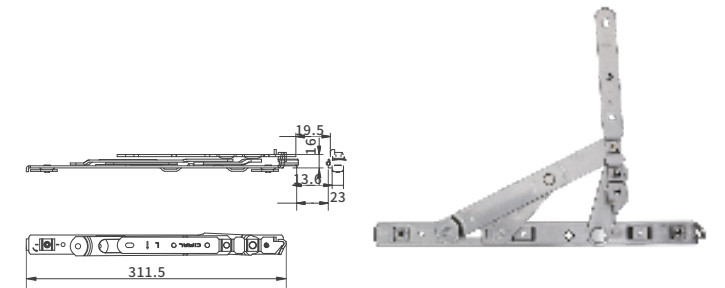
Hinge

Surface treatment: Sanding
 Adaptation system: Outward-opening screen window (used with antifalling device, please close the window in time in bad weather)
 Technical parameters: The maximum bearing is 60kg (when the window specification exceeds the standard, this bearing is no longer applicable); It can meet the size of window type, window width * window height: 600 * 1200 (mm), the product has left and right style, low damping hinge

Optional:
 • 23/27 notch model : ZHY513K-L/R

Small Friction Hinge

Surface treatment: stainless steel natural color
 Adaptation system: fireproof top hung window
 Technical parameters: the maximum load is 60kg, the opening angle is 88°, and it must be used together with other fireproof accessories. the product has left and right style

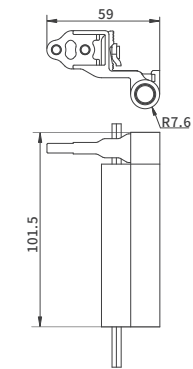


• ZHS10-L/R

OPEN MOUNTED WINDOW HINGE

Window Hinge

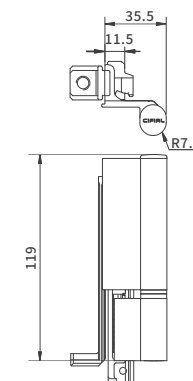
Surface treatment: Amino baking varnish
 Adapting system: Horizontal pivoting window
 Technical parameters: Maximum load bearing 100kg/2PCS, the gap of sash and hinge is of: 4~5mm, used together with ZH211-L/R, the product has left and right style



• ZH210-L/R

Window Hinge

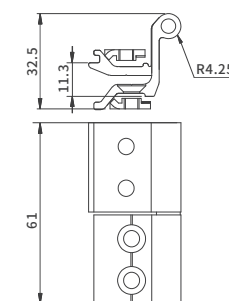
Surface treatment: Amino baking varnish
 Adapting system: Horizontal pivoting window
 Technical parameters: Maximum load bearing 100kg/2PCS, the gap of sash and hinge is of: 4~5mm, used together with ZH211-L/R, the product has left and right style



• ZH211-L/R

Window Hinge

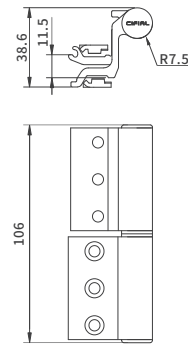
Surface treatment: Amino baking varnish
 Adapting system: Inward-opening screen window
 Technical parameters: Maximum load bearing 10kg/2PCS, hinge passage: 3.5~5mm, the product has left and right style



• ZH213-L/R



• ZH214-L/R

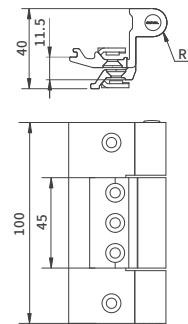


Window Hinge

Surface treatment: Amino baking varnish
 Adapting system: Inward-opening screen window
 Technical parameters: Maximum load bearing 55kg/2PCS, the gap of sash and hinge is of: 3.5 ~5mm, the product has left and right style



• ZH310K

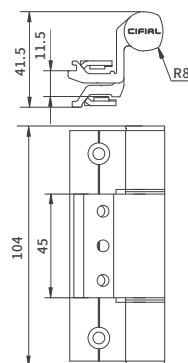


Window Hinge

Surface treatment: Amino baking varnish
 Adapting system: Inward-opening casement window (23/27 notch)
 Technical parameters: Maximum load bearing 60kg/2PCS, the gap of sash and hinge is of: 3.5 ~5mm



• Amino baking varnish :ZH311



Window Hinge

Surface treatment: Amino baking varnish/ anodizing
 Adapting system: Inward-opening casement window
 Technical parameters: Maximum load bearing 80kg/2PCS, the gap of sash and hinge is of: 3.5 ~5mm

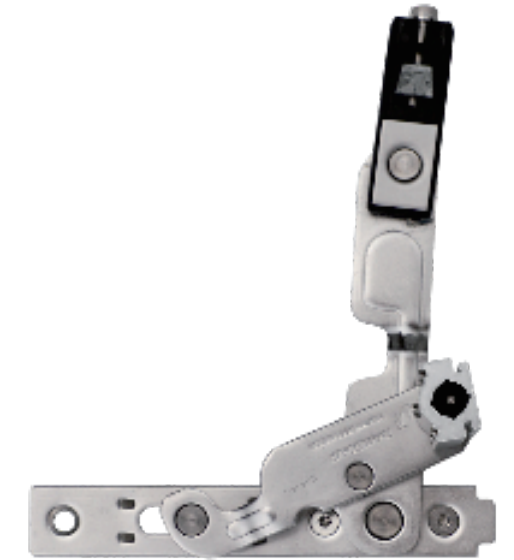
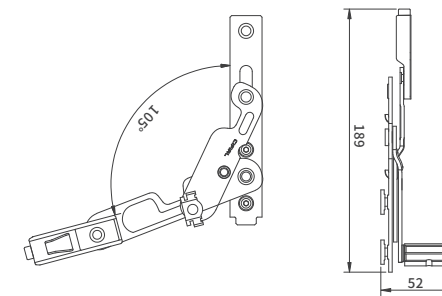
Optional:

- Anodic oxidation :ZH311Y

CONCEALED DOOR HINGE

Concealed Door Hinge

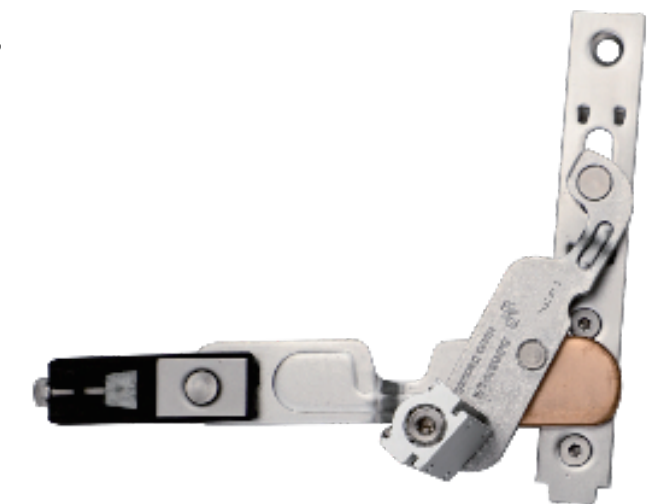
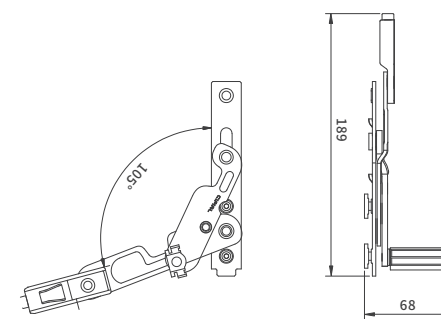
Surface treatment: Sanding
 Adapting system: Casement door
 Technical parameters: Maximum load 120kg, door type specification: 900 * 2300, one set of ZHY622-SL and ZHY622-XL, one set of ZHY622-SR and ZHY622-XR, and the product has left and right style



• Upper hinge: ZHY622-SL/SR

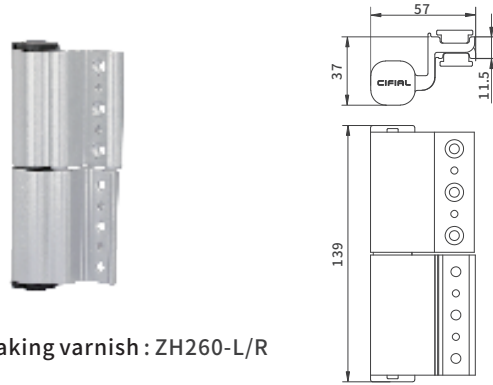
Concealed Door Hinge

Surface treatment: Sanding
 Adapting system: Casement door
 Technical parameters: Maximum load 120kg, door type specification: 900 * 2300, one set of ZHY622-SL and ZHY622-XL, one set of ZHY622-SR and ZHY622-XR, and the product has left and right style



• Bottom hinge :ZHY622-XL/XR

EXPOSED MOUNTED WINDOW HINGE



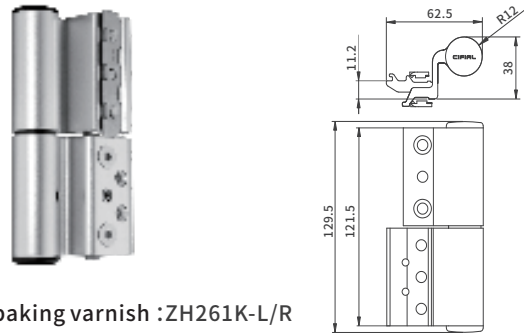
- Amino baking varnish : ZH260-L/R

Door Hinge

Surface treatment: Amino baking varnish /anodizing
 Suitable for application: Swing door
 Technical parameters: Maximum bearing 130kg/3PCS, the gap of sash and hinge is of: 4~5mm, the product has left and right style

Optional:

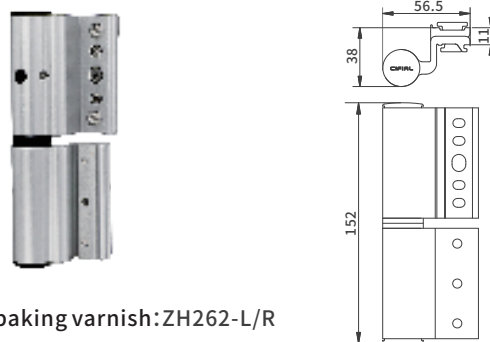
- Anodic oxidation : ZH260Y-L/R



- Amino baking varnish : ZH261K-L/R

Door Hinge

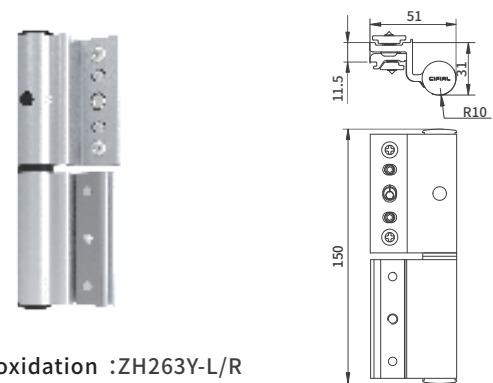
Surface treatment: Amino baking varnish
 Adapting system: Casement door (23/27 notch)
 Technical parameters: Maximum bearing 120kg/3PCS, the gap of sash and hinge is of: 3.5~5mm, the product has left and right style



- Amino baking varnish: ZH262-L/R

Door Hinge

Surface treatment: Amino baking varnish
 Adapting system: Casement door
 Technical parameters: Maximum bearing 150kg/3PCS, the gap of sash and hinge is of: 4~5mm, the product has left and right style



- Anodic oxidation : ZH263Y-L/R

Door Hinge

Surface treatment: Anodizing
 Adapting system: Swing door with flushed sash and frame
 Technical parameters: Maximum bearing 120kg/3PCS, the gap of sash and hinge is of: 4~5mm, the product has left and right style



CIFIAL

TRANSMITTER SERIES

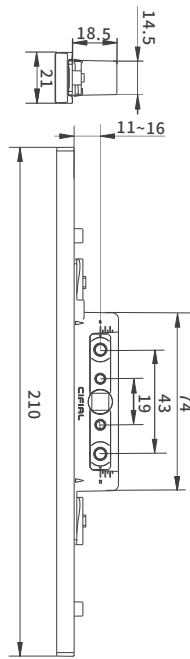
- ✓ Safety
- 🛡️ Durability
- 🎨 Aesthetics
- 🌈 Multi-color
- 📦 Originality

The picture is for reference only, and the product is subject to the real object

TRANSMITTER



• ZDA110T



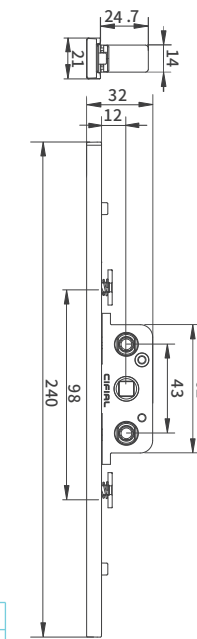
Transmitter With Adjustable Center Distance

Surface color: Black
 Suitable for application :Casementdoor/sliding door
 Technical parameters: Preventing deviation ,
 one-way single stroke. Suitable for conventional
 handle and handle without base

- Patented product
- Stepless adjustment of center distance
 Adjustable range: 11mm~16mm

Transmitter

Surface treatment: Silver/black
 Suitable for application: Turn&Tilt Window
 Technical parameters: Center distance 12mm,
 Preventing deviation, one-way double stroke,
 used together with ZJ110



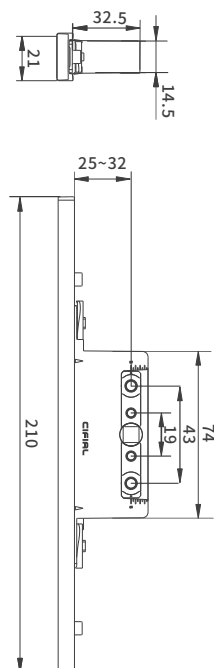
• ZDA212

Optional:

Product code	Adapting system	Center distance
ZDA212	Inside opening and inside pouring	12mm
ZDA211	Inside opening and inside pouring	15mm



• ZDA120T



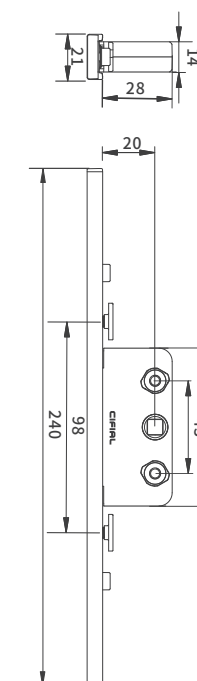
Transmitter With Adjustable Center Distance

Surface color: Black
 Suitable for application :Casementdoor/sliding door
 Technical parameters: Preventing deviation ,
 one-way single stroke. Suitable for conventional
 handle and handle without base

- Patented product
- Stepless adjustment of center distance
 Adjustable range: 25mm~32mm

Transmitter

Surface treatment: Silver/black
 Adapting system: Casement door/sliding door
 Technical parameters: center distance 20,
 Preventing deviation, two-way single stroke



• ZDB110

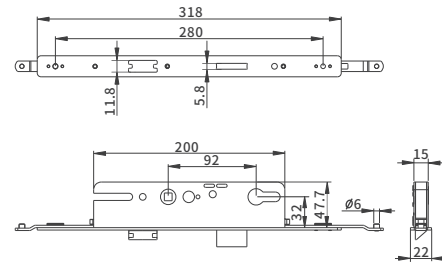
Optional:

Product code	Adapting system	Center distance
ZDB110	Flat opening/push-pull	20mm
ZDB111	Flat opening/push-pull	25mm
ZDB113	Flat opening/push-pull	27.5mm
ZDB130	Flat opening/push-pull	30mm
ZDB131	Flat opening/push-pull	35mm

DOOR LOCK



• ZMS3292/I



Door Lock

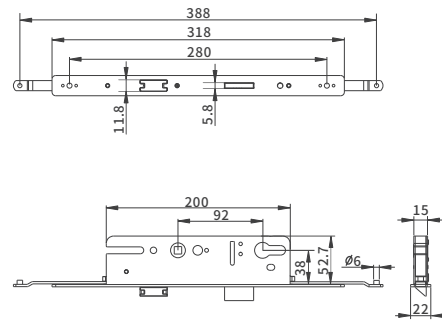
Adapting system: Casement door
 Surface treatment: Hairline
 Technical parameters: Center distance 32mm

Optional:

- Single point lock model :ZMS3292/II



• ZMS3892/I



Door Lock

Adapting system: Casement door
 Surface treatment: Hairline
 Technical parameters: Center distance 38mm

Optional:

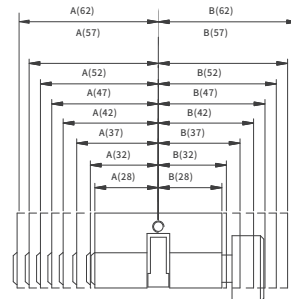
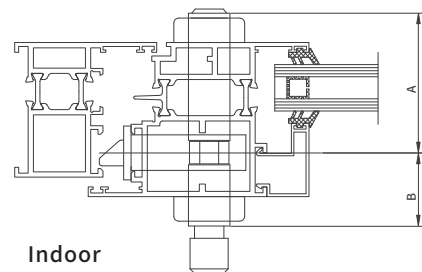
- Single point lock model :ZMS3892/II

Lock Cylinder

Adaptation system: sliding door, Casement door
 Technical parameters: used together with door lock and hook lock
 ◆A is the dimension from the exterior wall (key end) to the center
 ◆B is the dimension from the interior wall (handwheel end) to the center



• ZMXAB/T



Optional:

- Double sided key: ZMXAB

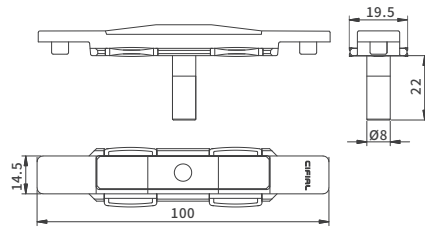
TRANSMISSION ROD SERIES



MAIN TRANSMISSION ROD



• ZGZ10



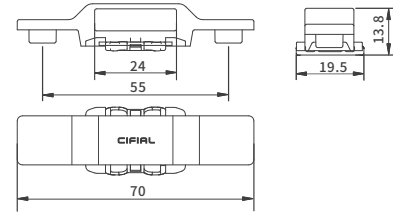
Main Transmission Rod

Suitable for application: Casement window
 Surface treatment: Microcrystalline coating (black)
 Technical parameters: Pin length can be customized (standard 22mm)

- Patented product



• ZGZ11

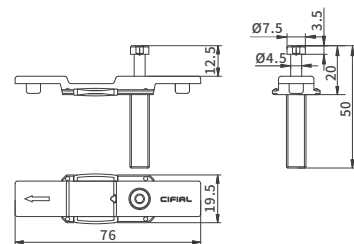


Main Transmission Rod

Suitable for application: Open-in casement/turn&tilt window
 Surface treatment: Microcrystalline coating (black)
 Technical parameters: Used together with the internal split fork handle



• ZGZ12



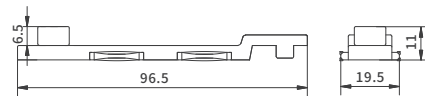
Main Transmission Rod

Suitable for application: Sliding door/window
 Surface treatment: Microcrystalline coating (black)
 Technical parameters: Pin length can be customized (standard total length is 50mm)

MARGIN TRANSMISSION ROD



• ZGB10G

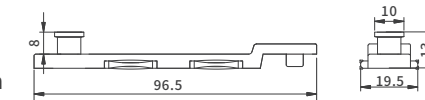


Transmission Rod

Suitable for application: Casement window
 Surface treatment: Microcrystalline coating (black)
 Product features: Rolling lock point

Transmission Rod

Suitable for application: Casement window
 Surface treatment: Microcrystalline coating (black)
 Product features: Rolling mushroom head lock point, anti-theft and anti prying

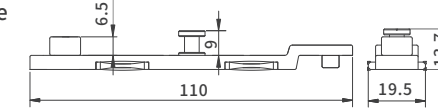


• ZGB10M



Transmission Rod

Suitable for application: Casement window
 Surface treatment: Microcrystalline coating (black)
 Technical parameters: Matching with the lock block ZLP112-L/R
 Product features: anti-theft and anti prying

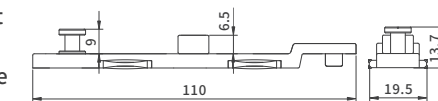


• ZGB12



Transmission Rod

Suitable for application: Casement window
 Surface treatment: Microcrystalline coating (black)
 Technical parameters: Mainly used for one-way transmission, used with ZLP112-L/R

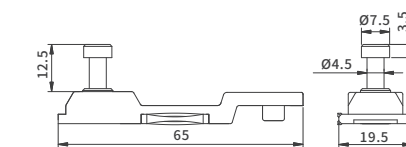


• ZGB13



Transmission Rod

Suitable for application: Sliding door/window
 Surface treatment: Microcrystalline coating (black)
 Technical parameters: The adjustable range of standard lock point height is 12mm~13mm, and the lock point height can be customized

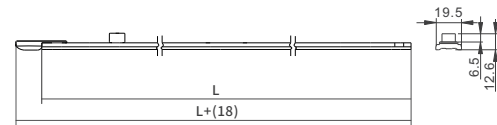


• ZGB14M





• ZGL50G-L

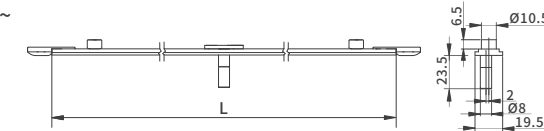


Side Transmission Rod

Suitable for application: Casement window
 Product features: Rolling lock point, smooth transmission,
 L value: 200~700mm

Transmission Rod

Suitable for application: Casement window
 Technical parameters: L value: 500~1700mm, pin eccentricity: 2mm, pin length can be customized (standard: 23.5mm)
 Product features: Rolling mushroom head lock point



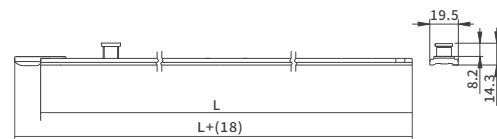
Optional:

- Cylinder lock point :ZGL11G-L

• ZGL11M-L



• ZGL50M-L

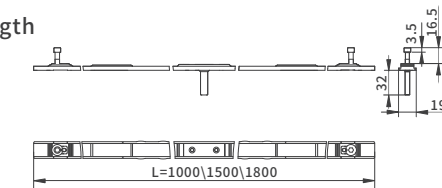


Side Transmission Rod

Suitable for application: Casement window
 Product features: Rolling lock point, anti-theft and anti prying
 L value: 200~700mm

Transmission Rod

Suitable for application: Sliding door/window
 Technical parameters: The height of the locking point can be customized (standard 16.5mm), The exposed length of pin shaft cannot be customized

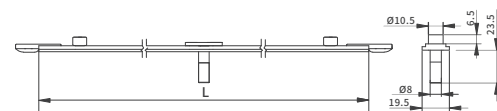


- L=1000/1500/1800

• ZGS10M-L



• ZGL10G-L



Transmission Rod

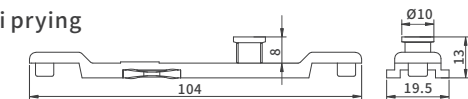
Suitable for application: Casement window
 Technical parameters: L value: 500~1700mm, pin length can be customized (standard 23.5mm)
 Product features: Scrollable lock point

Optional:

- Mushroom head locking point :ZGL10M-L

Middle Transmission Rod

Suitable for application: Casement window
 Surface treatment: Microcrystalline coating (black)
 Product features: Scrollable mushroom head lock point, anti-theft and anti prying

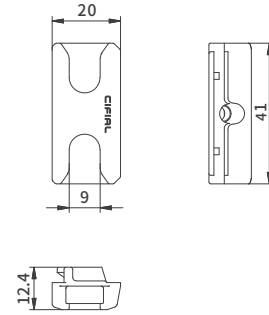


• ZGZ20M

LOCKING PLATE



• C Notch:ZLP110



Locking Plate

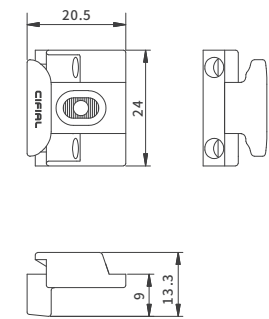
Adapting system: Casement window
 Surface treatment: microcrystalline coating (black)
 Technical parameters: matching with transmission rod ZGB10M

Optional:

- 23/27 Notch :ZLP110K



• C Notch:ZLP111



Locking Plate

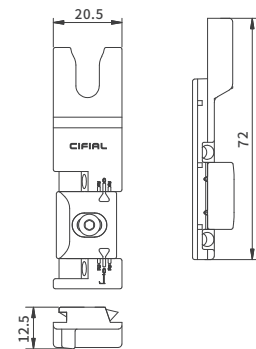
Adapting system: casement window
 Surface treatment: microcrystalline coating (black)
 Technical parameters: adjustment amount ± 1.5

Optional:

- 23/27 Notch :ZLP111K



• C Notch:ZLP112-L/R

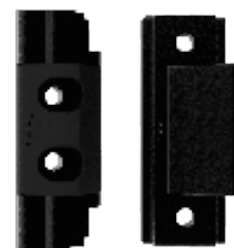


Locking Plate

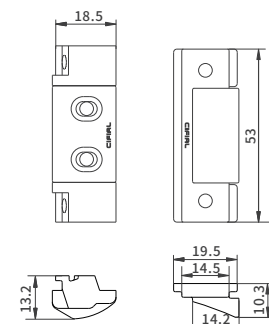
Adapting system: Casement window
 Surface treatment: microcrystalline coating (black)
 Technical parameters: adjustment amount ± 1.5 , the product has left and right

Optional

- 23/27 Notch :ZLP112K-L/R



• ZLP113



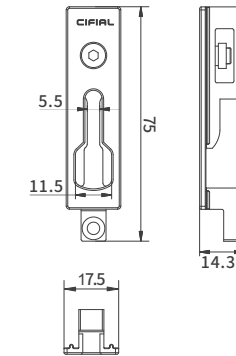
Middle Locking Plate

Adapting system: Casement window
 Surface treatment: microcrystalline coating (black)

Buckle SERIES

Buckle

Adapting system: Sliding door
 Surface treatment: microcrystalline coating (black)
 Technical parameters: Fixing mode of clamping plate+self tapping screw

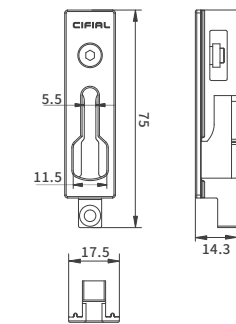


• ZLM211



Buckle

Adapting system: Sliding door
 Surface treatment: microcrystalline coating (black)
 Technical parameters: Fixing mode of clamping plate+self tapping screw
 Product material: stainless steel

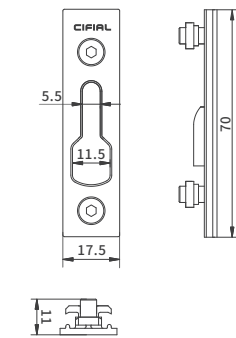


• ZLM212



Buckle

Adapting system: Sliding door
 Surface treatment: microcrystalline coating (black)
 Technical parameters: double clamping plate fixing mode

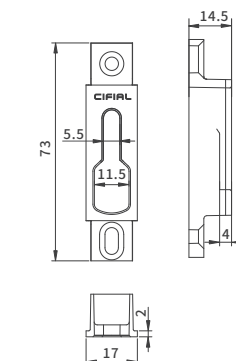


• ZLM213



Buckle

Adapting system: Sliding door
 Surface treatment: microcrystalline coating (black)
 Technical parameters: self tapping screw fixation



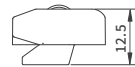
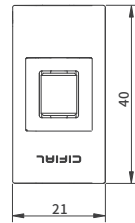
• ZLM214



OTHER



• C Notch code: ZLC10



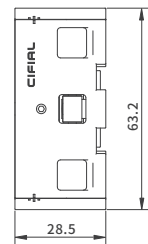
Supporting Block

Suitable for application: Casement window
Surface treatment: Microcrystalline coating (black)

- Optional:
- 23/27 Notch code: ZLC10K



• C Notch code: ZLC12



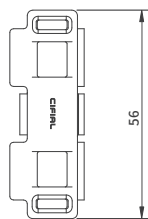
Supporting Block

Suitable for application: Horizontal pivoting window
Surface treatment: Microcrystalline coating (black)

- Optional:
- 23/27 Notch code: ZLC12K



• ZLC13

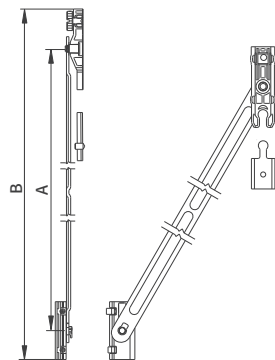


Supporting Block

Suitable for application: Horizontal pivoting window
Product material: POM



• ZFX10



Limiter

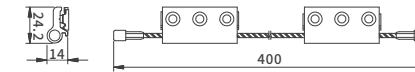
Suitable for application: Horizontal pivoting window & casement window
Technical parameters: The lock base and connecting rod can be separated, which is convenient for window cleaning and maintenance, and limits the opening angle of window sash

Optional:

Model	A	B	Applicable window sash width	Opening angle
ZFX10-12	285	364	500	Customized
ZFX10-14	335	414	600	

Anti Dropping Device

Surface treatment: Microcrystalline coating (black, silver)
Adapting system: Open-out casement window
Technical parameters: When the window frame is separated from the sash, it can effectively prevent the sash from falling off. When the wind force is ≥ 5 , close the window

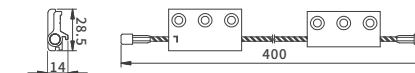


• ZFT11



Anti Dropping Device

Surface treatment: Microcrystalline coating (black, silver)
Suitable for application: Outward-opening (casement window (23/27 notch))
Technical parameters: When the frame is separated from the sash, it can effectively prevent the sash from falling off. When the wind grade ≥ 5 , then close the window the product has left and right style

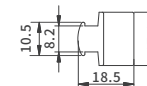
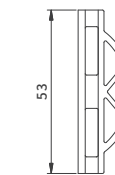


• ZFT11K-L/R



Anti-collision Block

Suitable for application: Sliding door
Installation position: Mounted on the frame

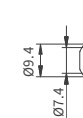
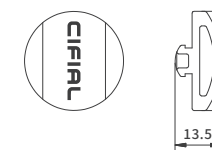


• ZFZ10



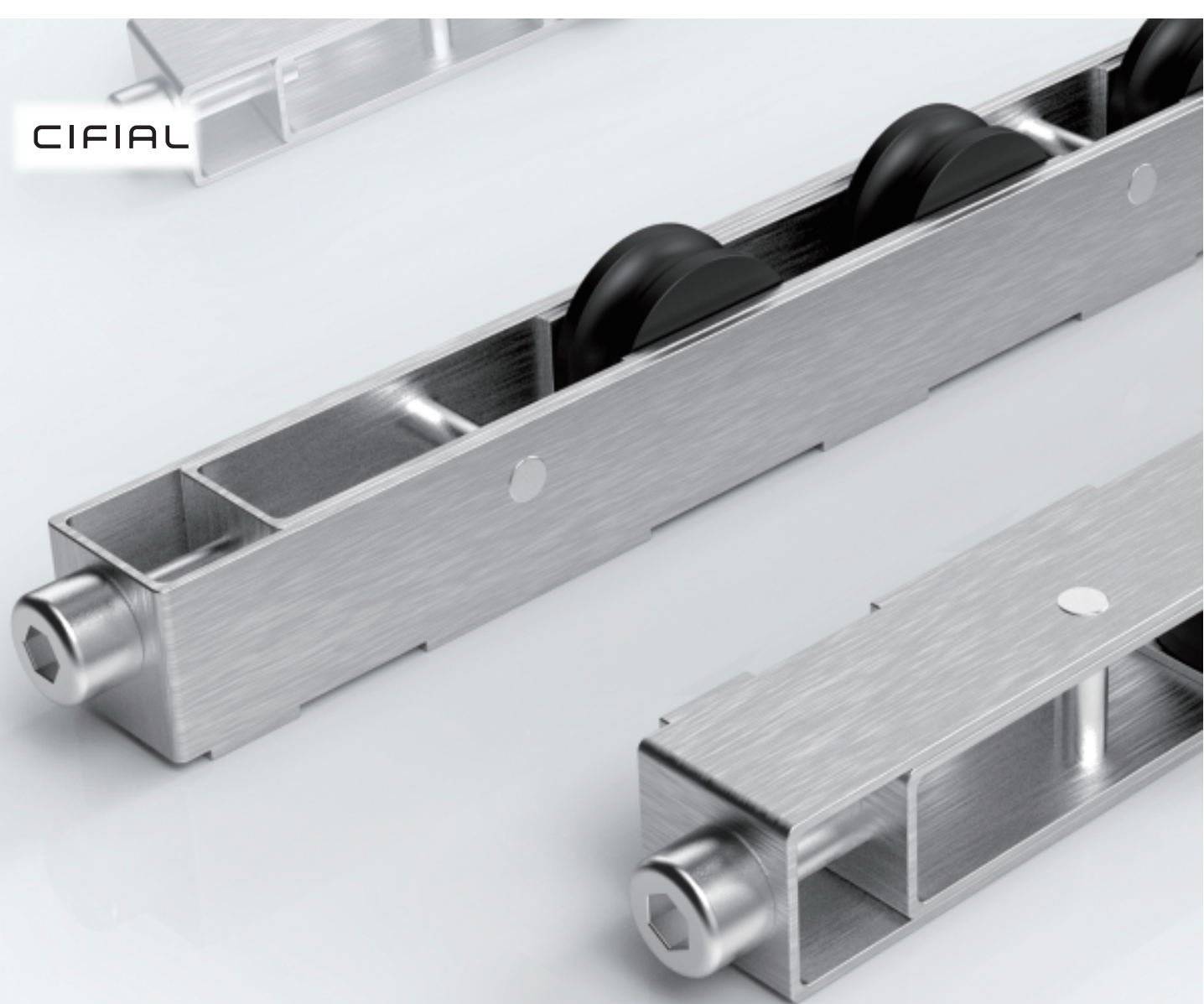
Anti-collision Block

Suitable for application: Sliding door
Installation position: Mounted on the sash

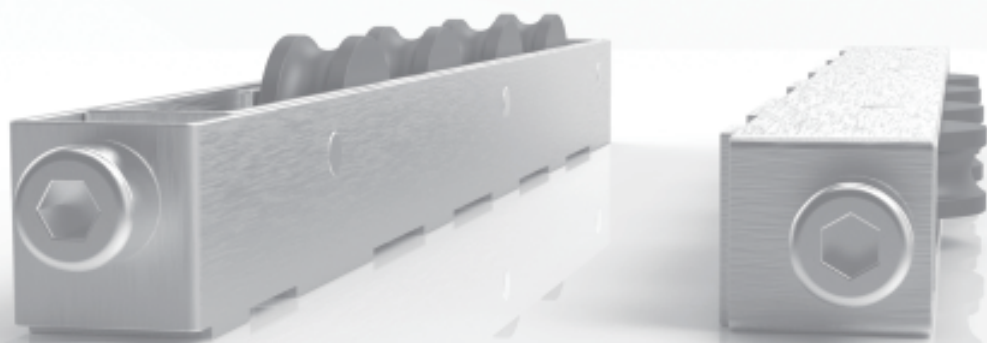


• ZFZ11





ROLLER SERIES



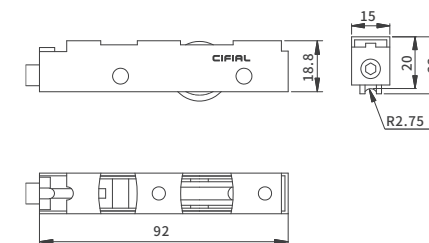
The picture is for reference only, and the product is subject to the real object

-  Safety
-  Durability
-  Aesthetics
-  Multi-color
-  Originality

ROLLER

ROLLER

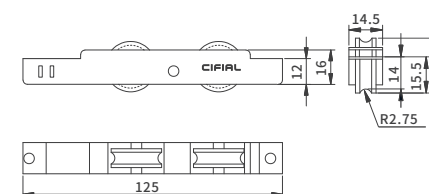
Surface treatment: Hairline
 Adapting system: Sliding window
 Technical parameters: Maximum load bearing 30kg/2PCS, adjustable height of 5mm



• ZRC110

ROLLER

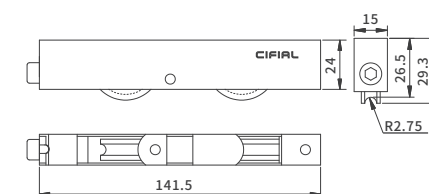
Surface treatment: Hairline
 Adapting system: Sliding window
 Technical parameters: Maximum load bearing 40kg/2PCS, adjustable height of 3mm



• ZRC210

ROLLER

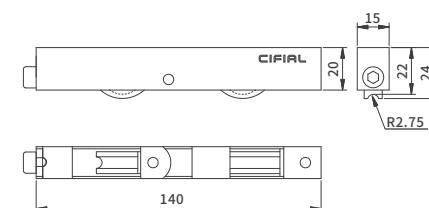
Surface treatment: Hairline
 Adapting system: Sliding window
 Technical parameters: Maximum load bearing 80kg/2PCS, adjustable height of 7mm



• ZRM210

ROLLER

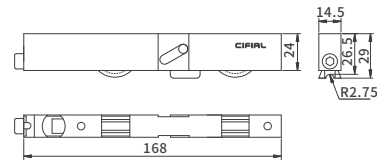
Surface treatment: Hairline
 Adapting system: Sliding door
 Technical parameters: Maximum load bearing 60kg/2PCS, adjustable height of 5mm



• ZRM211



• ZRM212

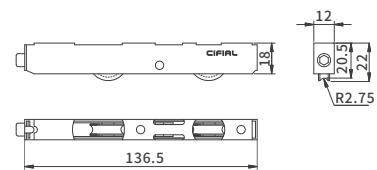


ROLLER

Surface treatment: Hairline
 Adapting system: Sliding door
 Technical parameters: Maximum load bearing 80kg/2PCS, adjustable height of 7mm



• ZRM213

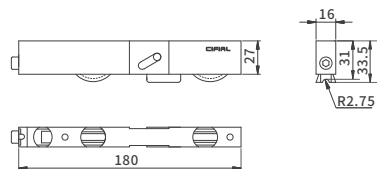


ROLLER

Surface treatment: Hairline
 Adapting system: Sliding door
 Technical parameters: Maximum load bearing 60kg/2PCS, adjustable height of 3mm



• ZRM214

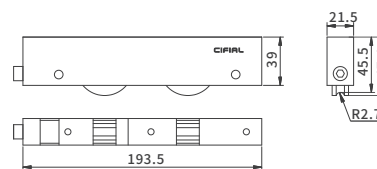


ROLLER

Surface treatment: Hairline
 Adapting system: Sliding door
 Technical parameters: Maximum load bearing 100kg/2PCS, adjustable height of 6mm



• ZRM215

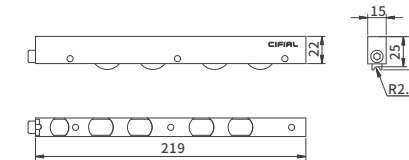


ROLLER

Surface treatment: Hairline
 Adapting system: Sliding door
 Technical parameters: Maximum load bearing 200kg/2PCS, adjustable height of 10mm

ROLLER

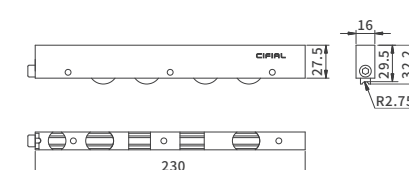
Surface treatment: Hairline
 Adapting system: Sliding door
 Technical parameters: Maximum load bearing 120kg/2PCS, adjustable height of 7mm



• ZRM410

ROLLER

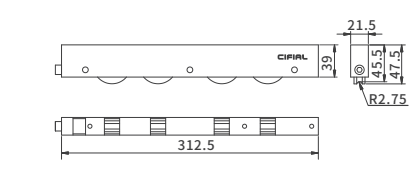
Surface treatment: Hairline
 Adapting system: Sliding door
 Technical parameters: Maximum load bearing 120kg/2PCS, adjustable height of 7mm



• ZRM411

ROLLER

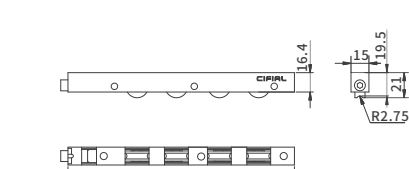
Surface treatment: Hairline
 Adapting system: Sliding door
 Technical parameters: Maximum load bearing 300kg/2PCS, adjustable height of 10mm



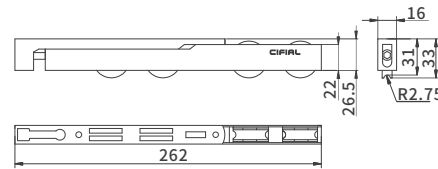
• ZRM412

ROLLER

Surface treatment: Hairline
 Adapting system: Sliding door
 Technical parameters: Maximum load bearing 100kg/2PCS, adjustable height of 5mm



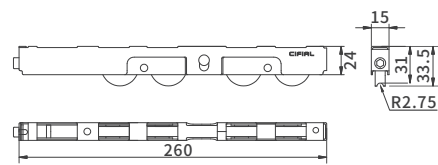
• ZRM413



Roller

Surface treatment: Hairline
 Adapting system: Sliding door
 Technical parameters: Maximum load bearing 200kg/2PCS, adjustable height of 6mm

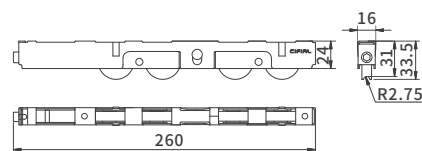
• ZRM414



Roller

Surface treatment: Hairline
 Adapting system: Sliding door
 Technical parameters: Maximum load bearing 160kg/2PCS, adjustable height of 5mm

• ZRM415



Roller

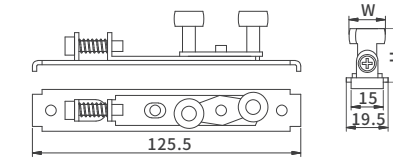
Surface treatment: Hairline
 Adapting system: Sliding door
 Technical parameters: Maximum load bearing 160kg/2PCS, adjustable height of 5mm

• ZRM416

GUIDE PULLEY AND BOUNCE WHEEL

Guide Pulley

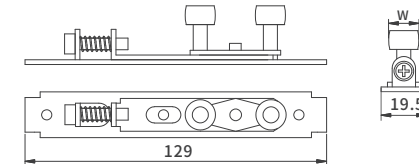
Surface treatment: Stainless steel natural color
 Adapting system: Sliding door
 Technical parameters: W=13~24mm, H optional 19~29mm, such as 19mm, 21mm, 23mm, 25mm, 27mm, 29mm



• ZDL110

Guide Pulley

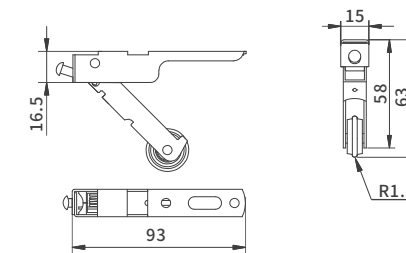
Surface treatment: Stainless steel natural color
 Adapting system: Sliding door
 Technical parameters: W=13~24mm, H optional 19~29mm, such as 19mm, 21mm, 23mm, 25mm, 27mm, 29mm



• ZDL111

Guide Pulley

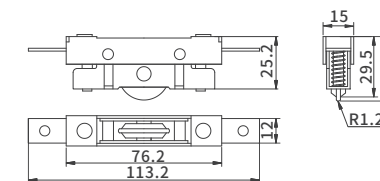
Surface treatment: Stainless steel natural color
 Adapting system: Sliding door
 Technical parameters: The compressibility is 38mm



• ZDL210

Guide Pulley

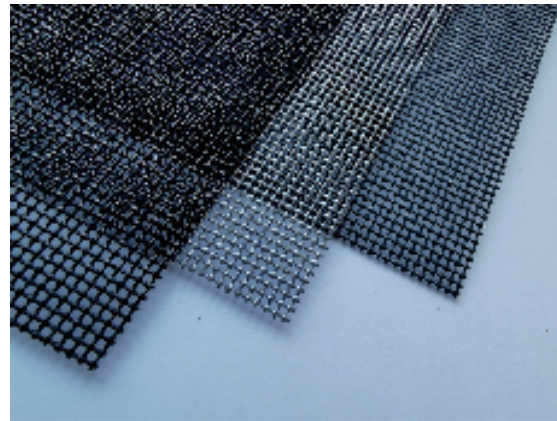
Surface treatment: Stainless steel natural color
 Adapting system: Sliding door
 Technical parameters: The compressibility is 12mm



• ZDL211

YARN MESH

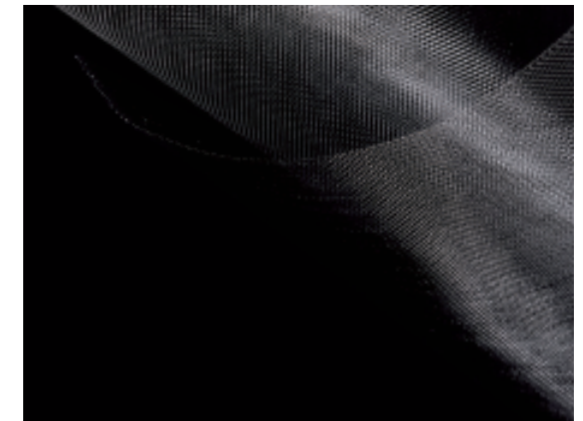
Apennine High Strength Alloy Mesh
(Tool Products Department 6)



Product material: High-strength alloy steel wire
 Surface color: Black/gray
 Width (M) 0.8/0.9/1.0/1.1/1.2/1.3/1.5
 Length (M) 2.4/31.5
 Product characteristics: Good ventilation effect, standard mesh number to prevent from mosquito, high pollution, use in priority for coastal cities, cost-effective, friendly design product

- Number of mesh: 11 meshes/12 meshes/14 meshes

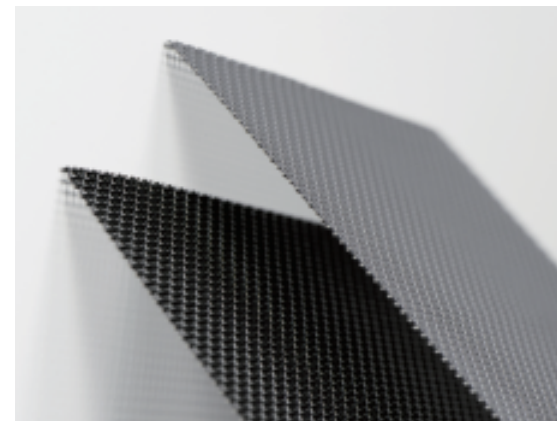
High Definition Invisible Screen
(tool Products Department 6)



Product material: 304/316
 Surface color: Black
 Width (M) 0.6/0.7/0.8/0.9/1.0/1.2/1.5
 Length (M) 30
 Product features: Filter technology, effectively prevent ultraviolet ray

- Number of meshes: 18 meshes/20 meshes

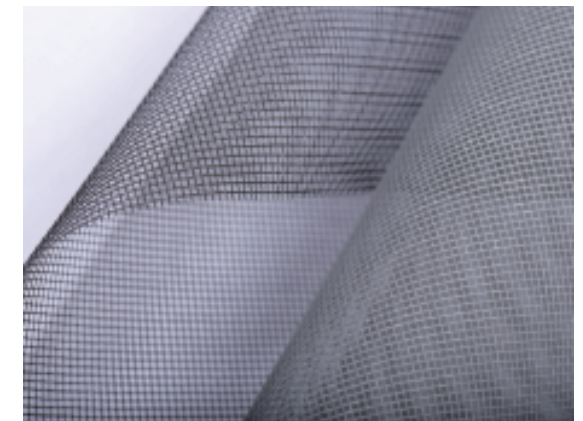
Security Window Mesh 304/316
(tool Products Department 6)



Product material: 304/316
 Surface color: Black/Gray/Natural color
 Width (M) 0.8/0.9/1.0/1.1/1.2/1.3/1.5
 Length (M) 2.4/31.5
 Product characteristics: It has the obvious advantages of mosquito prevention, safety protection, and more elegant appearance

- Number of mesh: 10 meshes/11 meshes/12 meshes/13 meshes

Glass Fiber Mesh
(Tool Products Department 6)



Product material: Glass fiber+PVC resin
 Surface color: Grey/Black
 Width (M): 0.6-3.0/1.96 feet - 9.84 feet
 Length (M) 30/100/300
 Product characteristics: Excellent flame retardancy, long service life, no pollution, no volatile smell, and containing anti ultraviolet components

- Number of meshes: regular (105gsm, 120 gsm, 130 gsm) customized (145 gsm, 165 gsm)