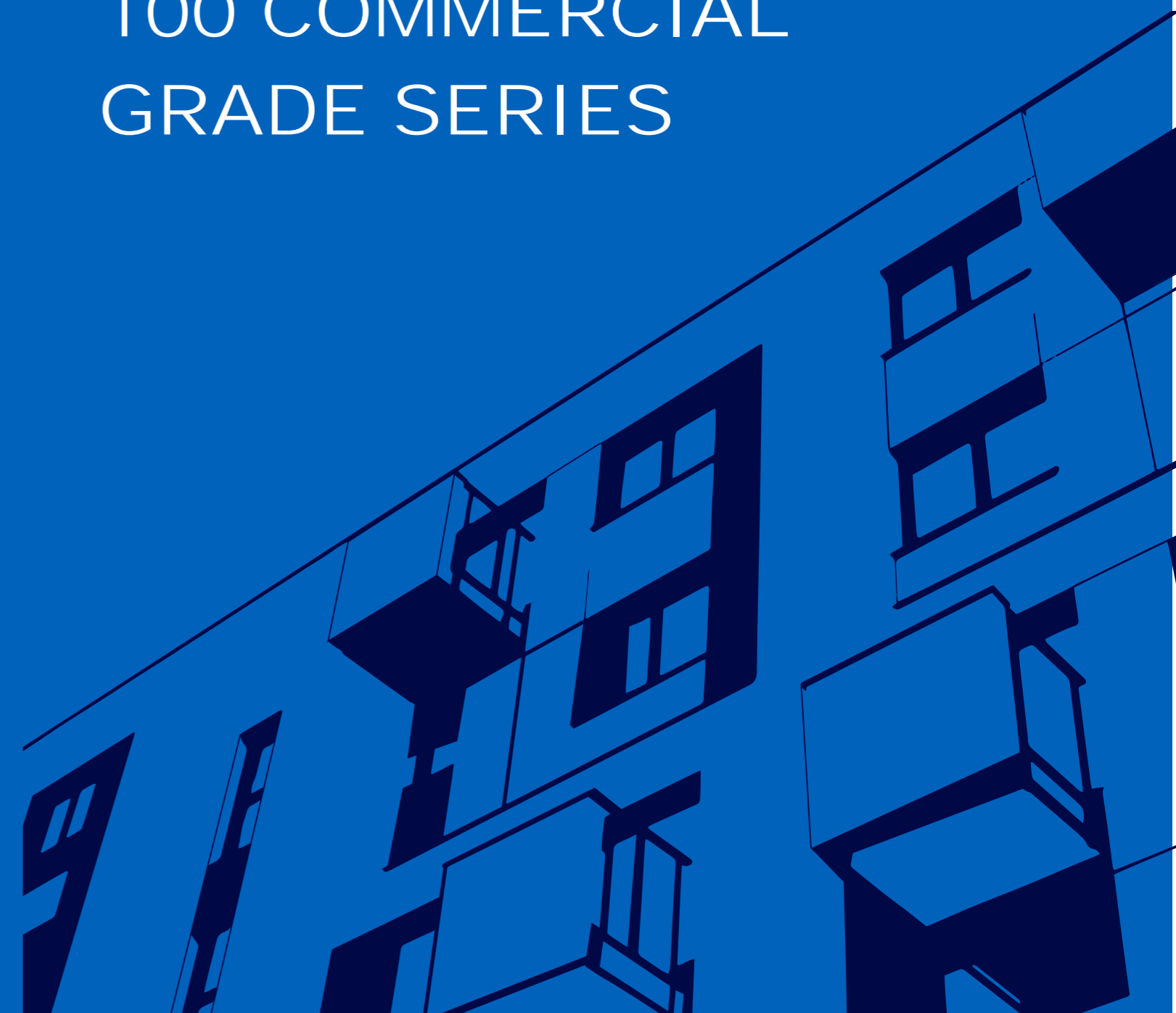




# 100 COMMERCIAL GRADE SERIES





## 100 SERIES SLIDING WINDOWS

Much like sliding doors, sliding windows open horizontally, by sliding along rails. Sliding windows are easy to use, low maintenance, and economical. Sliding windows also offer the possibility of having very large windows which can be easily opened without significant effort.



### Standard: AS2047

Design SLS/ULS:600Pa/2000Pa

WERS Data: Uw Range:3.5 - 6.4

Design Water Resistance:200Pa

SHGC Range:0.33 - 0.60

Sound Insulation:<36DB

## TECHNICAL SPECIFICATIONS

Available size: Max Height: 1800mm  
Max Window Panel width: 1500mm

Maximum adaptive weight: 80KG

Available glazing: Double Glazed: up to 26mm IGU

Frame dimension: Frame Depth: 105mm ;  
Bottom frame Height : 45mm

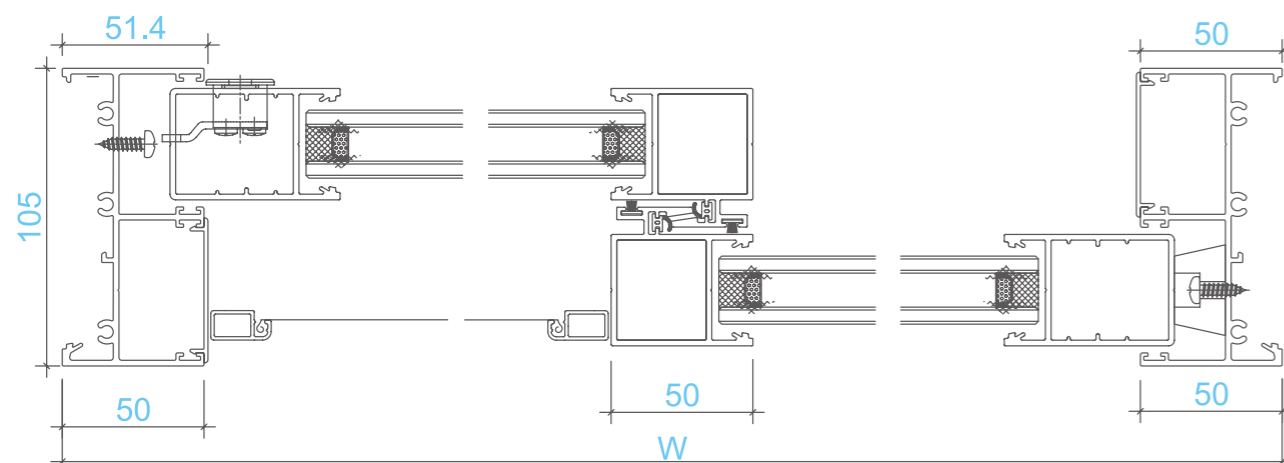
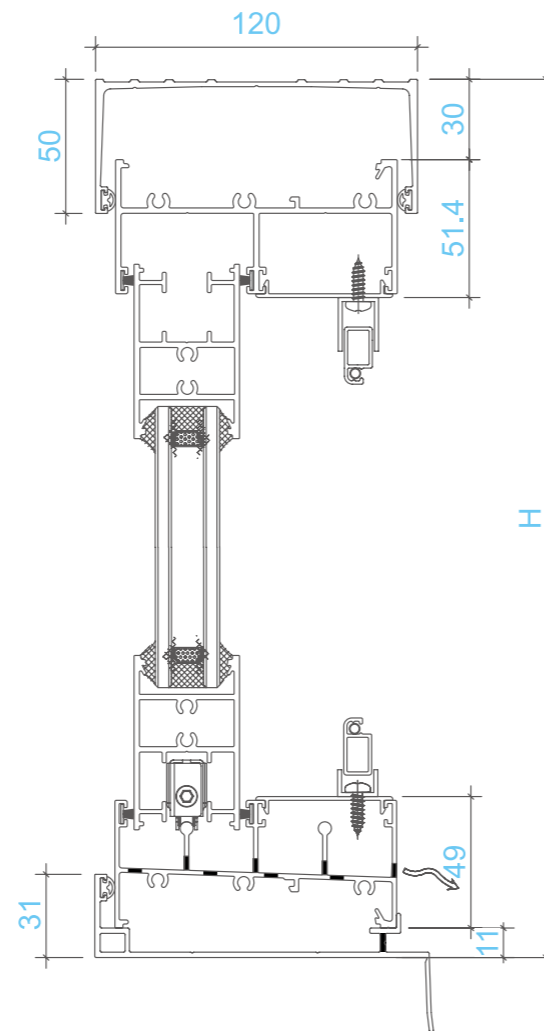
Extrusion Profiles : 6063-T5 with 1.6mm Thickness

Powder Coating : AKZO-NOBLE Interpon Powder with  
10 Years Warranty

Flynet : Fiberglass and Stainless Steel Security Mesh  
Available

Fixing Method: Sub sill/head / Fin fix / face fix / Timber reveal

Hardware : China Brand & Australia Doric Available



### Hardware Selections

① Brand: Doric

② Origin Country: Australia

③ Model: DS6005

④ Color: Black, Silver

#### Feature:

The DS6005 Avon Sliding window lock has a sleek contemporary design with a large, easy to grab handle.

### Hardware Selections

① Brand: Doric

② Origin Country: Australia

③ Model: DN560

④ Color: Black, Silver

#### Feature:

The DN560 sliding window lock is the perfect compliment for windows that demand style.





## 100 SERIES CHAIN WINDER AWNING WINDOWS

As the awning window's chain winder is located on the sill, these windows can be positioned higher up along the wall to limit anyone being able to see in, whilst still allowing in all the fresh air and natural light. Alternatively, if this type of window is used in a bathroom, using an obscure glass allows you to use this window for ventilation while still getting all the benefits of the privacy glass.



### Standard: AS2047

Design SLS/ULS:1200Pa/4000Pa	Design Water Resistance:450Pa
WERS Data:Uw Range:4.6 - 6.9	SHGC Range:0.28 - 0.46
Sound Insulation:<38DB	

## TECHNICAL SPECIFICATIONS

Available size: Max Height: 2400mm, Max Window Panel width: 2400mm

Maximum adaptive weight: 100KG

Available glazing: Double Glazed: up to 26mm IGU

Frame dimension: Frame Depth: 105mm ; Bottom frame Height : 54mm

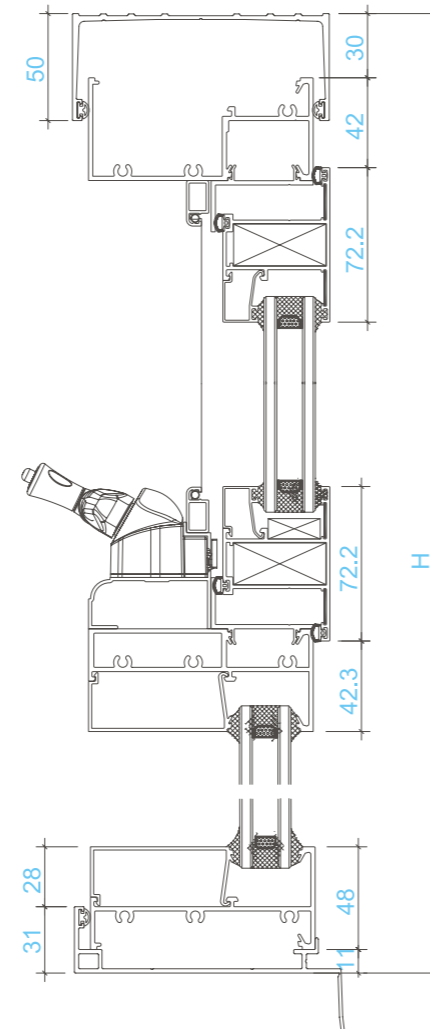
Extrusion Profiles : 6063-T5 with 2.0mm Thickness

Powder Coating : AKZO-NOBLE Interpon Powder with 10 Years Warranty

Flynet : Fiberglass and Stainless Steel Security Mesh Available

Fixing Method: Sub sill/head / Fin fix / Timber reveal

Hardware : German Brand & Australia Doric Available



### DS1 Chainwinder

① Brand: Doric

② Origin Country: Australia

③ Model: DS1

④ Color: Black, Silver

#### Feature:

Being the industry leader, the DS1 Chainwinder allows for easy operation and installation in a secure key lockable configuration.

### DN400 Twin Chainwinder

① Brand: Doric

② Origin Country: Australia

③ Model: DN400

④ Color: Black, Silver

#### Feature:

The DN400 Twin Chainwinder can be pre-restricted in order to comply with the NCC and to meet the requirements of Kids Don't Fly.





## 100 SERIES FIXED WINDOWS

Fixed window can help to keep your room warm in winter and cool in summer, making for effective energy saving and climate control.



### Standard: AS2047

Design SLS/ULS:1200Pa/4000Pa	Design Water Resistance:600Pa
WERS Data: Uw Range:2.9~6.3	SHGC Range:0.40 - 0.73
Sound Insulation:<40DB	

# 100 COMMERCIAL GRADE SERIES



# 100 SERIES FIXED WINDOWS

## TECHNICAL SPECIFICATIONS

Available size: Max Height: 3000mm, Max Window Panel width: 3000mm

Maximum adaptive weight: 300KG

Available glazing: Double Glazed: up to 26 IGU

Frame dimension: Frame Depth: 105mm ; Bottom frame Height : 54mm

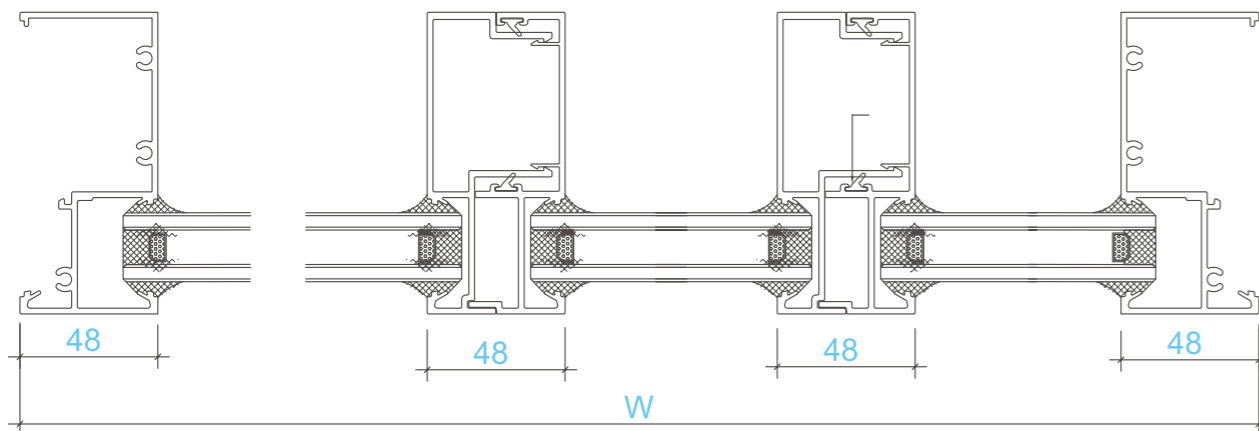
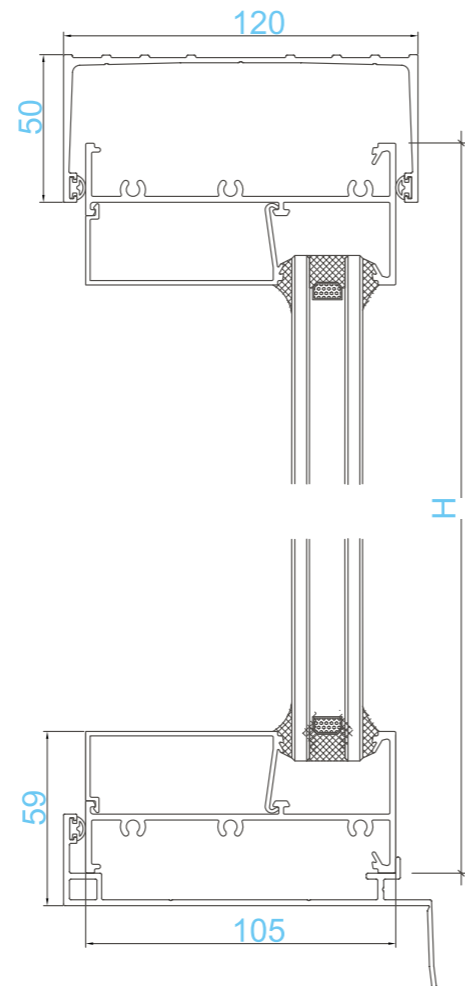
Extrusion Profiles : 6063-T5 with 2.0mm Thickness

Powder Coating : AKZO-NOBLE Interpon Powder with 10 Years Warranty

Flynet : Fiberglass and Stainless Steel Security Mesh Available

Fixing Method: Sub sill/head/ Fin fix /Timber reveal

Hardware : without





## 100 SERIES DOUBLE HUNG WINDOWS

Aluminium double hung windows offer a simple aesthetic that is ideal for a variety of different interior and exterior styles. The minimal design conceals a spring balance operating system and internal rivets. The vertical sliding of our aluminium double hung windows allows for effortless ventilation, with equally easy cleaning and low maintenance.



### Standard: AS2047

Design SLS/ULS:1000~3000pa	Design Water Resistance:250pa
WERS Data: Uw Range:2.6~3.6	SHGC Range:0.32 - 0.65
Sound Insulation:<38DB	



# 100 COMMERCIAL GRADE SERIES



# 100 SERIES DOUBLE HUNG WINDOWS

## TECHNICAL SPECIFICATIONS

Available size: Max Height: 1200, Max Window Panel width: 1500

Maximum adaptive weight: 50KG

Available glazing: Double Glazed: up to 26mm IGU

Frame dimension: Frame Depth: 105mm; Bottom frame Height: 65mm

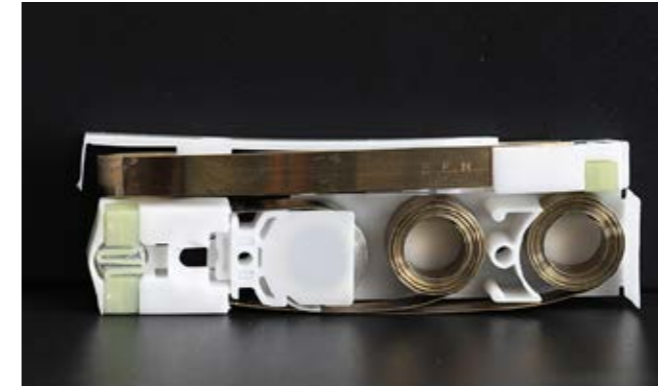
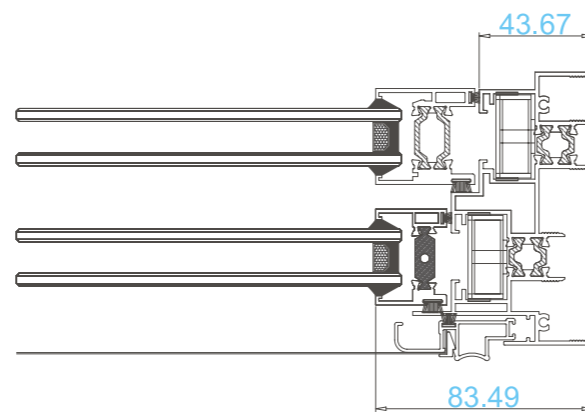
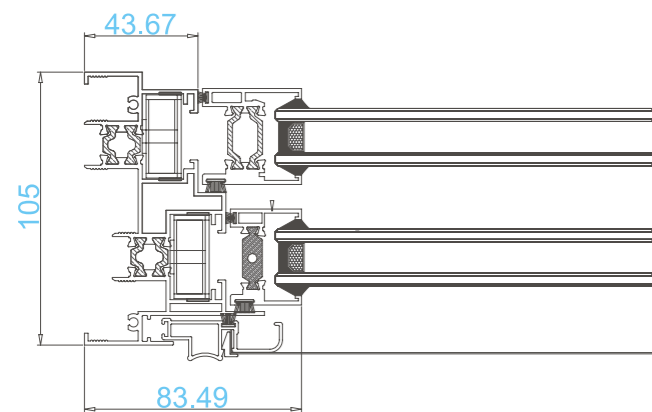
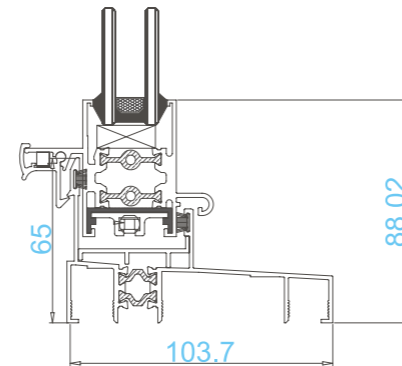
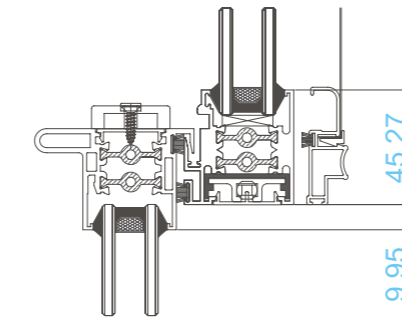
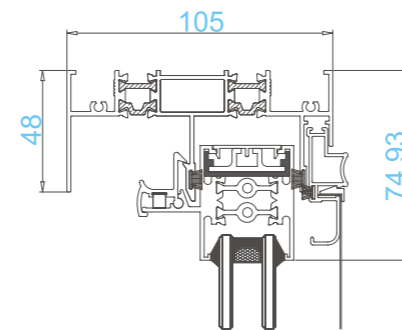
Extrusion Profiles: 6063-T5 with 1.6mm Thickness

Powder Coating: AKZO-NOBLE Interpon Powder with 10 Years Warranty

Flynet: Fiberglass and Stainless Steel Security Mesh Available

Fixing Method: Sub sill/head / Fin fix / Timber reveal

Hardware: USA-Caldwell



### Quick tilt application

① Brand: USA-Caldwell

② Origin Country: USA

③ Model: RS-TS02

④ Color: Black, White

### Feature:

Pre assembled- reduce window assembly time Integrated coil next and cover- Minimizes Contamination and Debris Robust drop in Cam- excellent structure performance Optional friction adjuster- allows for easy field adjustment Optional Tamper lock- Limits Unintended Sash Removal

### Commercial new construction

① Brand: USA-Caldwell

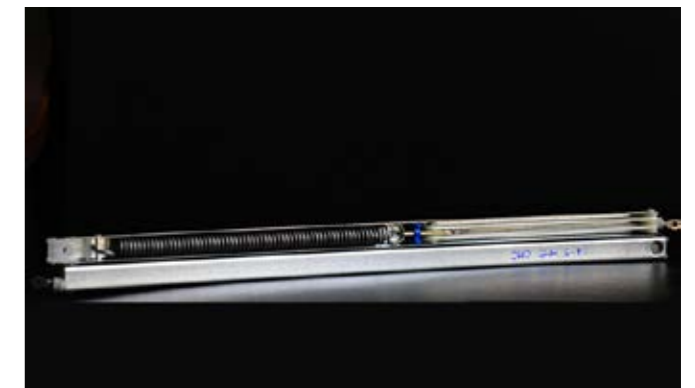
② Origin Country: USA

③ Model: RS-TS01

④ Color: Black, White

### Feature:

High Lift Assistance- Make a heavy sash easy to operate Boosted force curve- Fits many common balance pockets AMAA Class 5 rating- balance lift 70% of sash weight Low carbon steel Rod- Rust resistance





## 100 SERIES GLASS LOUVRE

Glass louvre is the perfect addition to any living space, and with several glass options to choose from, you can ensure the perfect view. Durable and stylish, they strike a unique balance of effortless luxury.



### Standard: AS2047

Design SLS/ULS:400pa/1200pa

Design Water Resistance:150pa

WERS Data: Uw Range:4.6~6.5

SHGC Range:0.45 - 0.76

Sound Insulation:<28DB

## TECHNICAL SPECIFICATIONS

Available size: Max Height: 2700mm, Max Window Panel width: 800mm

Maximum adaptive weight: 10KG

Available glazing: Double Glazed: up to 6mm

Frame dimension: Frame Depth: 105mm ; Bottom frame Height : 50mm

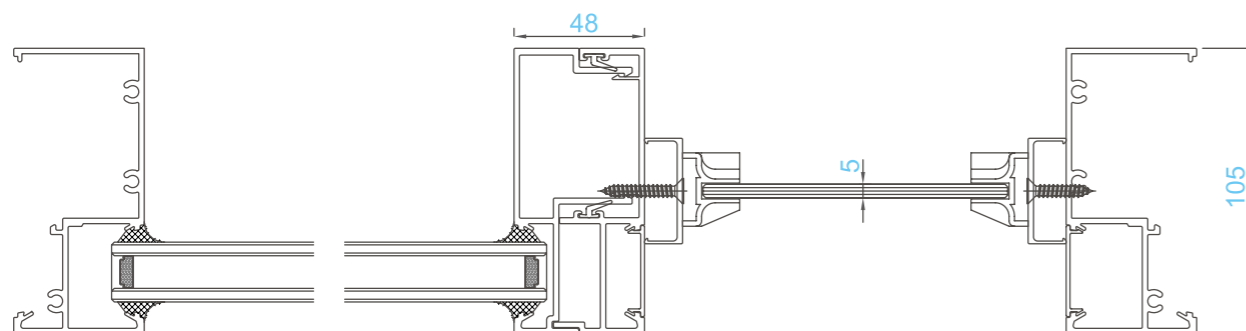
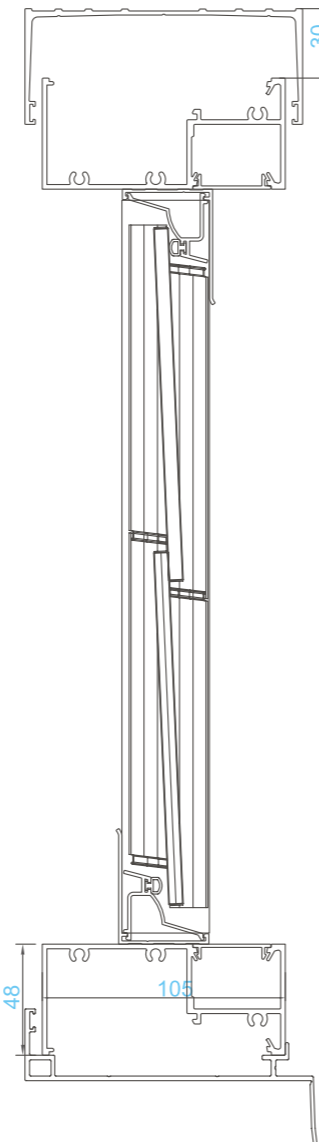
Extrusion Profiles : 6063-T5 with 2.0mm Thickness

Powder Coating : AKZO-NOBLE Interpon Powder with 10 Years Warranty

Flynet : Fiberglass and Stainless Steel Security Mesh Available

Fixing Method: Sub sill/head / Fin fix / Timber reveal

Hardware : CHN-MTEN



### RS Louvre Galleries

① Brand: China Brand

② Origin Country: China

③ Model: 6ALPP24

④ Color: Black, white

#### Feature:

Louvres are the ideal window solution to creating an open functional living environment. Vent, the 100% Opening Advantage Ergonomic handle design Non-Scratch UV-stabilised powder coat



## 100 SERIES SLIDING DOORS

Sliding door open horizontally, and are held up by wheels or suspended on a track, unlike standard doors which are suspended on hinges and open by turning. Sliding doors are commonly used for bathrooms and for external doors made of glass. Sliding doors save space, allow maximum light, and can create an open and spacious appearance.

### Standard: AS2047

Design SLS/ULS:1600Pa/3000Pa

Design Water Resistance:200pa

WERS Data: Uw Range:3.1 - 6.1

SHGC Range:0.41 - 0.67

Sound Insulation:<36DB

## TECHNICAL SPECIFICATIONS

Available size: Max Height: 3000mm, Max Window Panel width: 1600mm

Maximum adaptive weight: 200KG

Available glazing: Double Glazed: up to 26mm IGU

Frame dimension: Frame Depth: 105mm; Bottom frame Height : 45mm

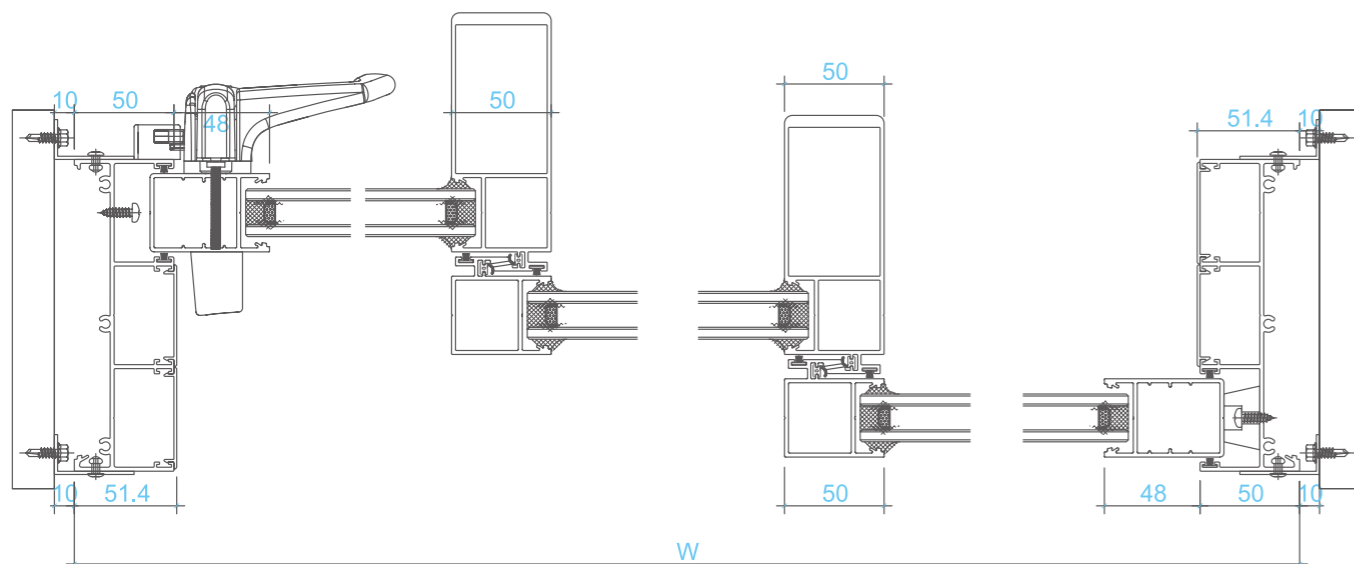
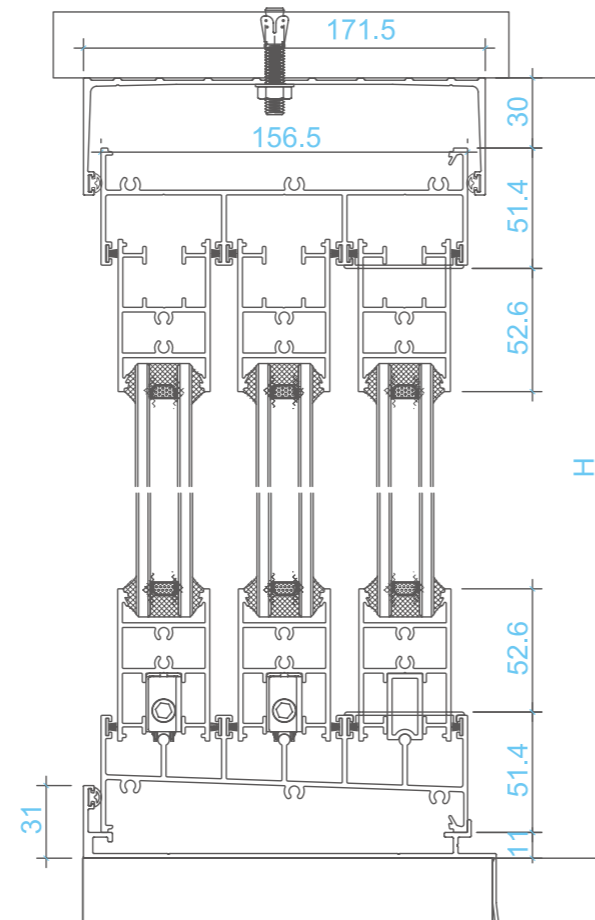
Extrusion Profiles : 6063-T5 with 2.0mm Thickness

Powder Coating : AKZO-NOBLE Interpon Powder with 10 Years Warranty

Flynet : Fiberglass and Stainless Steel Security Mesh Available

Fixing Method: Sub sill/head / Fin fix / Timber reveal

Hardware : China Brand & Australia Doric Available



### DS3130 Sliding Door Lock

- ① Brand: Doric
- ② Origin Country: Australia
- ③ Model: DS3130
- ④ Color: Black, Silver

#### Feature:

The DS3130 Timbarra Twiin Sliding Patio Door Lock was the first non-handed twin actuator system to be offered in the Australian market.

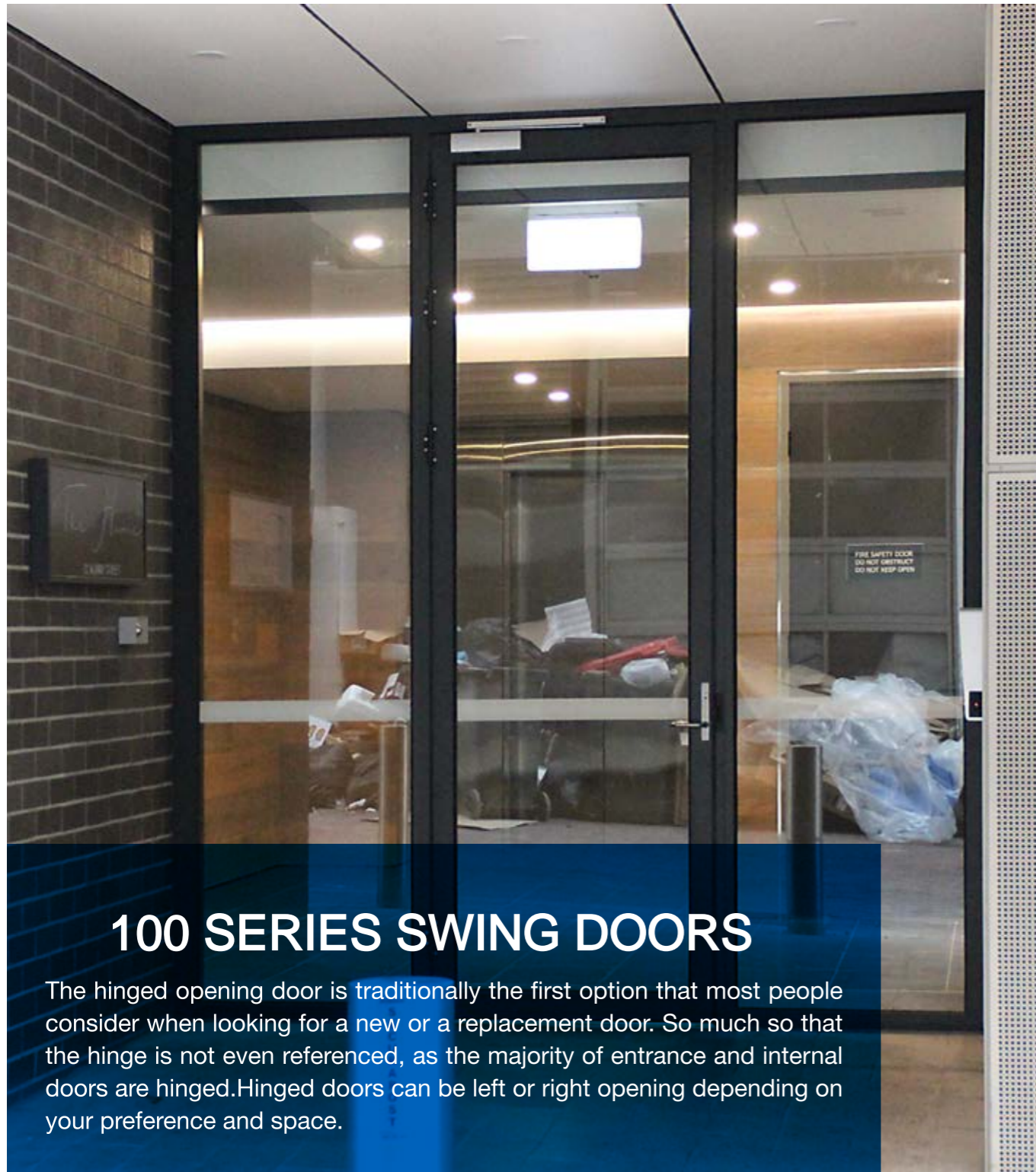
### DS2400 Sliding Door Lock

- ① Brand: Doric
- ② Origin Country: Australia
- ③ Model: DS2400
- ④ Color: Black, Silver

#### Feature:

The DS2400 handle range has the flexibility for various configurations and handle shapes. The patio door furniture features simple snib operation as well as a clean and contemporary aesthetic, ideal for apartment and residential application.





#### Standard: AS2047

Design SLS/ULS:600Pa/1400Pa	Design Water Resistance:200pa
WERS Data: Uw Range:3.7 - 6.2	SHGC Range:0.32 - 0.57
Sound Insulation:<36DB	

## TECHNICAL SPECIFICATIONS

Available size: Max Height: 2700mm, Max Window Panel width: 1100mm

Maximum adaptive weight: 150KG

Available glazing: Double Glazed: up to 26mm IGU

Frame dimension: Frame Depth: 105mm; Bottom frame Height : 26mm

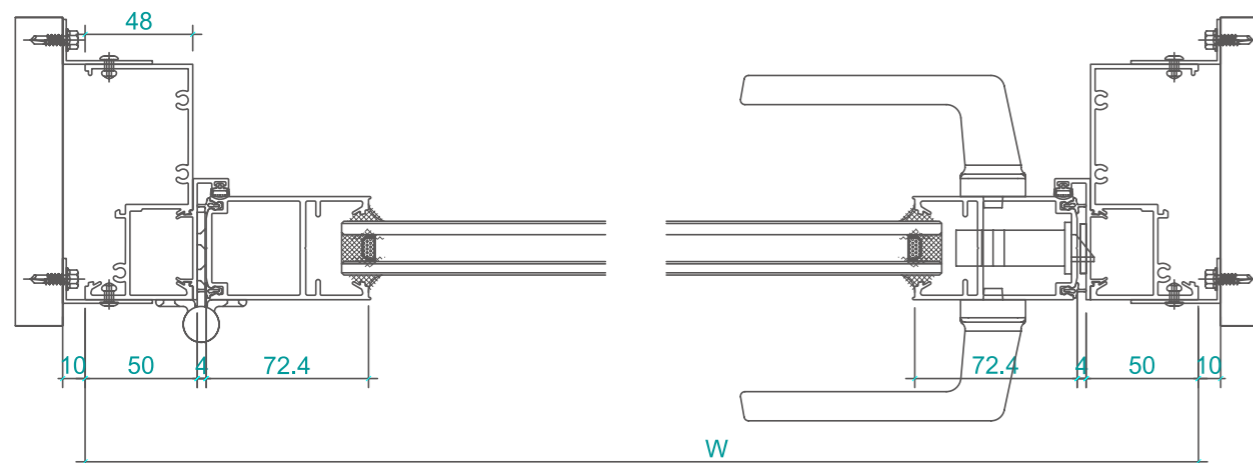
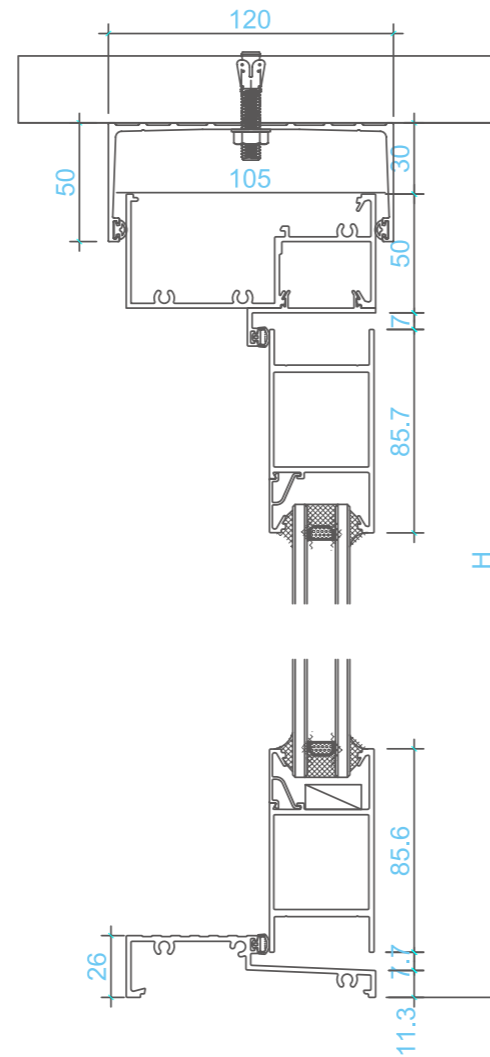
Extrusion Profiles : 6063-T5 with 2.0mm Thickness

Powder Coating : AKZO-NOBLE Interpon Powder with 10 Years Warranty

Flynet : Fiberglass and Stainless Steel Security Mesh Available

Fixing Method: Sub sill/head / Fin fix / Timber reveal

Hardware : China Brand & Australia Doric Available



### DS1400 Hinged Door Lock

① Brand: Doric

② Origin Country: Australia

③ Model: DS1400

④ Color: Black, Silver

#### Feature:

The DS1400 Series range is finished in Satin Black powdercoat, with the levers and escutcheon manufactured from cast aluminium. It is easy to install and suitable for hinged doors in single French & bi-fold door.

### DN7300 Hinged Door Lock

① Brand: Doric

② Origin Country: Australia

③ Model: DN7300

④ Color: metallic

#### Feature:

The DN7300 Series is compatible for use with the Doric DN995 (23mm/30mm/38mm) Commercial narrow back-set mortice lock mechanism in a wide variety of functions that will suit all commercial locking requirements in Australia and New Zealand.





## 80 SERIES BIFOLDING DOORS

Aluminum bifolding doors are more than just stylish – they are manufactured to last and provide durable performance. Their minimalist design aesthetic create a seamless statement in a variety of spaces, while the folding functionality opens up the possibilities to perfectly complement alfresco style dining or entertaining areas.



### Standard: AS2047

Design SLS/ULS:600Pa/3000Pa	Design Water Resistance:200pa
WERS Data: Uw Range:2.7 ~ 3.2	SHGC Range:0.36 - 0.52
Sound Insulation:<38DB	



## TECHNICAL SPECIFICATIONS

Available size: Max Height: 3600mm, Max Window Panel width: 900mm

Maximum adaptive weight: 200KG

Available glazing: Double Glazed: up to 32mm IGU

Frame dimension: Frame Depth: 87.5mm; Bottom frame Height : 59mm

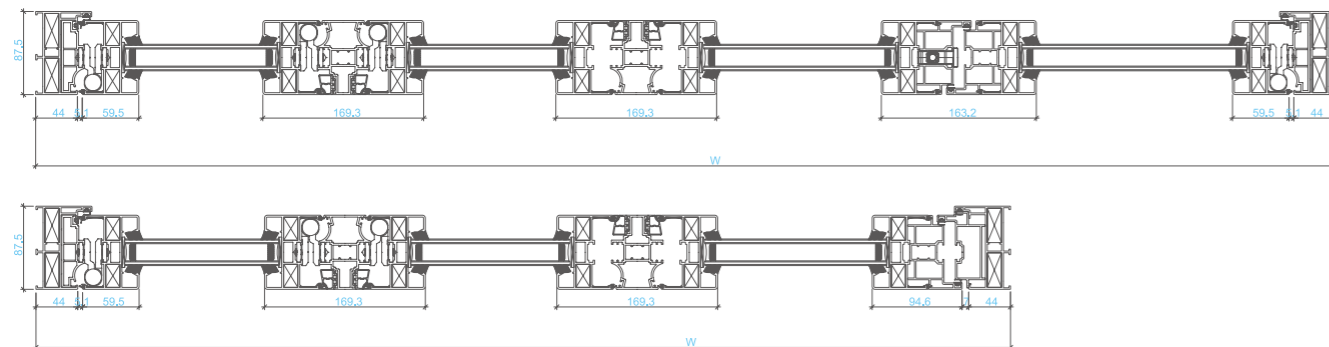
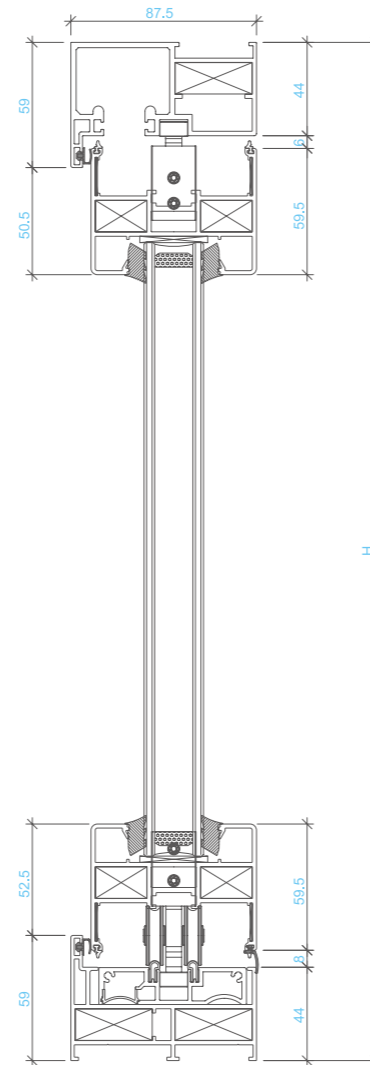
Extrusion Profiles : 6063-T5 with 2.0mm Thickness

Powder Coating : AKZO-NOBLE Interpon Powder with 10 Years Warranty

Flynet : Fiberglass and Stainless Steel Security Mesh Available

Fixing Method: Sub sill/head / Fin fix / Timber reveal

Hardware : CHN- KSBG



### Bifolding Door

① Brand: China Brand KSBG

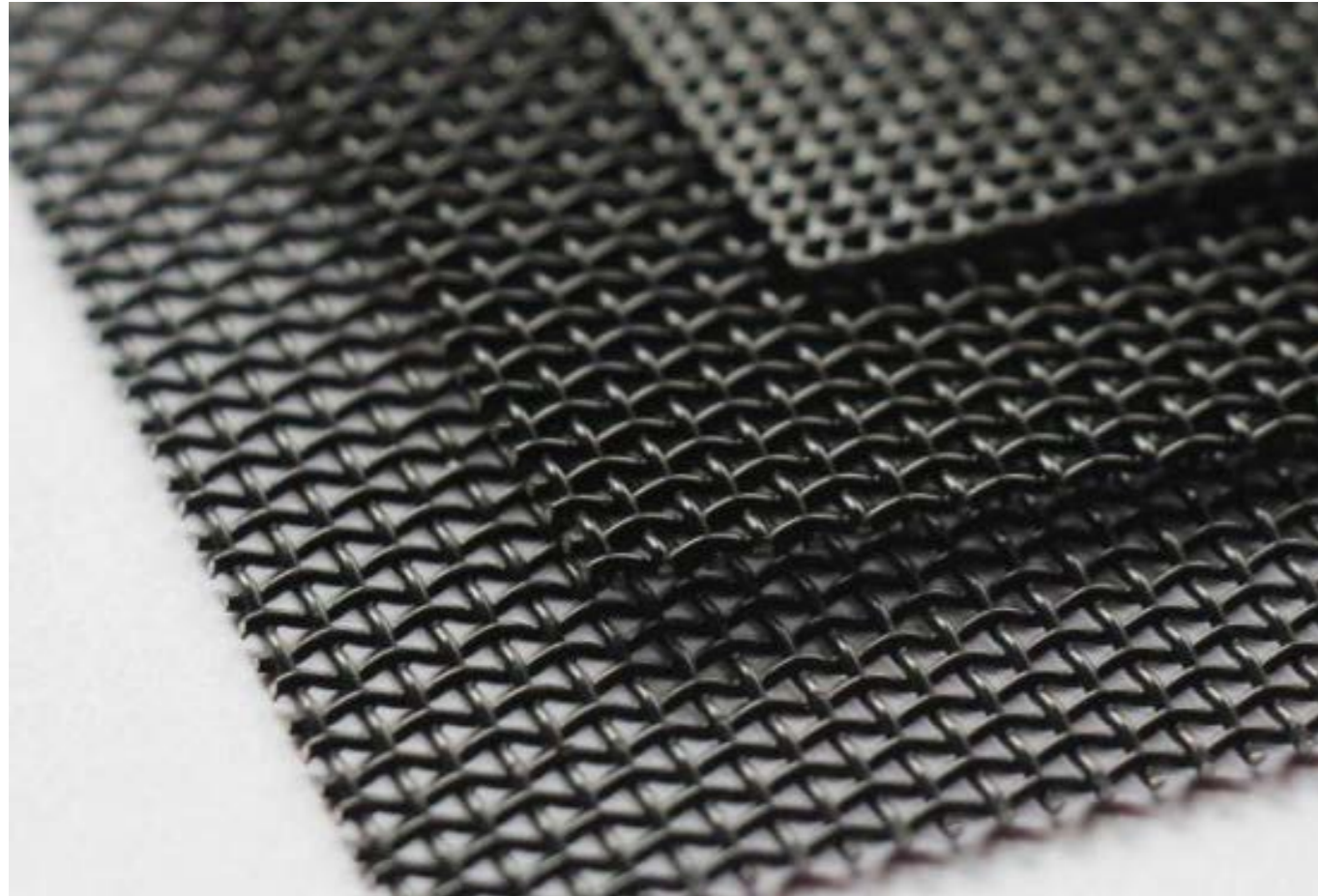
② Origin Country: China

③ Model: KSBG-80

④ Color: Silver, Black

#### Feature:

automatic lock function Hardware hidden design satisfy any combination of folds Corner design with wide vision



### 0811 Security Screen

- ① Material: SUS304    ② Finishing: Powder coating    ③ Thickness: 0.8mm
- ④ Weave: 11/cm<sup>2</sup>    ⑤ Color: Black, Grey

### 0514 Security Screen

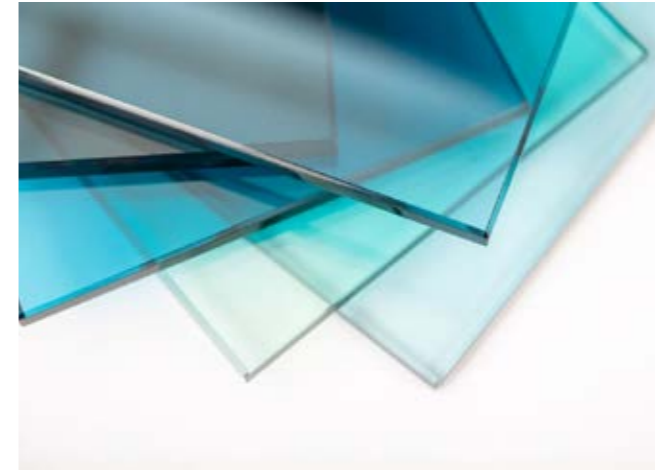
- ① Material: SUS304    ② Finishing: Powder coating    ③ Thickness: 0.5mm
- ④ Weave: 11/cm<sup>2</sup>    ⑤ Color: Black, Grey

### 0218 Security Screen

- ① Material: SUS304    ② Finishing: Powder coating    ③ Thickness: 0.185mm
- ④ Weave: 18/cm<sup>2</sup>    ⑤ Color: Black Only.

### 1511 Pet screen

- ① Material: 30% fabric, 70%PVC coating    ② Finishing: Powder coating
- ④ Mesh: 360g/m<sup>2</sup>    ⑤ Weave: 15\*11 /inch    ⑥ Color: Black



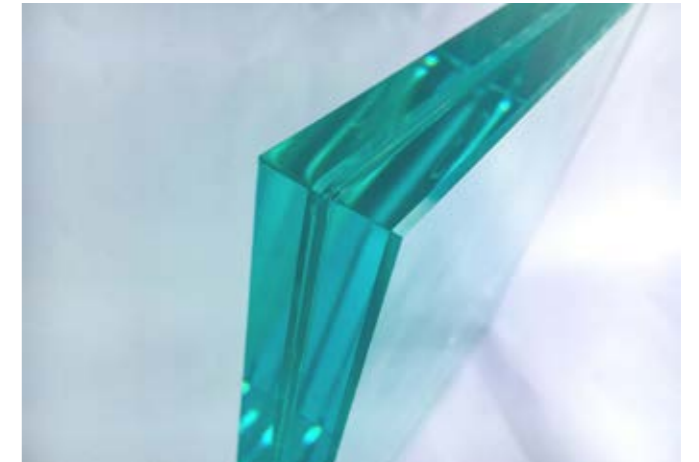
### Single Glass

- ① Thickness: 5mm/6mm/8mm/10mm/12mm
  - ② Treatment: tempered, Heat soaked thermally tempered
  - ③ Color: Ultra Clear, Clear, Obscure, tint
  - ④ Finishing: Reflective, Spendral
- Feature: Safe, Strength wind pressure, high impact resistance

### Laminated Glass

- ① Thickness: 8.76mm/10.76mm/11.14mm/12.76mm/13.14mm
- ② Treatment: tempered, Heat soaked thermally tempered
- ③ vinyl interlayer : PVB
- ④ Interlayer thickness: 0.38mm/0.76mm/1.14mm
- ⑤ Color: Ultra Clear, Clear, Obscure, tint
- ⑥ Finishing: Reflective, Spendral

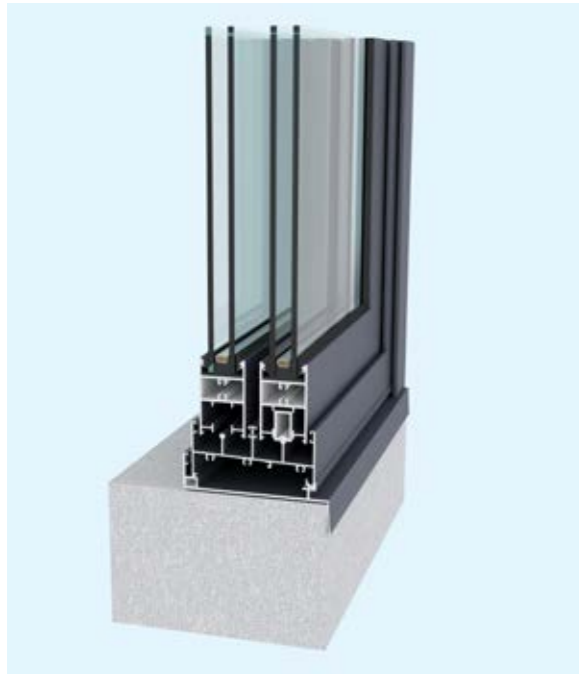
Feature: Safe, Strength wind pressure, high impact resistance, reduce noise.



### Double Glass

- ① Thickness: 6mm+12A+6mm/6mm+12A+8.76mm /6mm+9A+10.76mm
- ② Glass spacer color: Silver/black
- ③ Gas: Air/Argon
- ④ Treatment: tempered, Heat soaked thermally tempered
- ⑤ Color: Ultra Clear, Clear, Obscure, tint
- ⑥ Finishing: Reflective, Spendral

Feature: Safe, Strength wind pressure, high impact resistance, reduce noise, energy efficiency



## Sub Head, Sub Sill, Angle

Features: High water leakage resistance, simple installation (saving labor), safety, fast delivery

Wall structure suitable:  
 Concret structure  
 Light Guage and Hebel Stucture  
 Double Brick Structure  
 Light Guage and Brick Stucture

Application: Commercial Buildings, Apartment, Townhouse, Dwellings



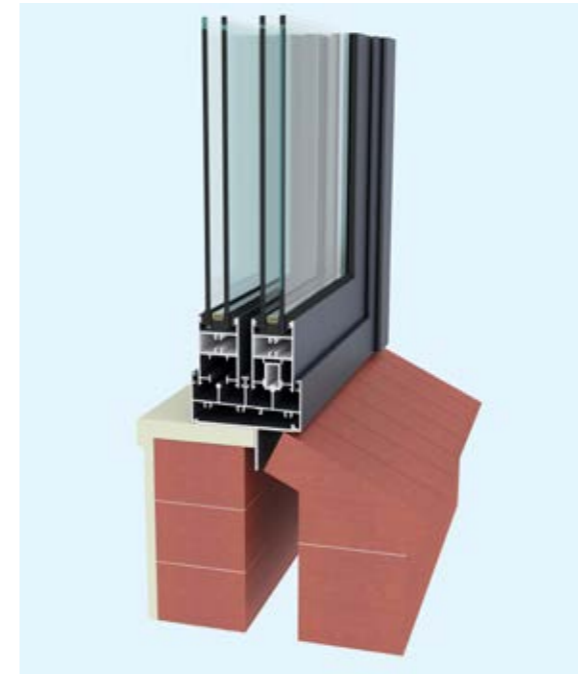
Sub Head



Sub Sill



Angle



## 40mm Fin

Fetures: high water leakage resistance, simple and fast installation and safety;

Wall structure suitable:  
 Timber Stud and 100/150mm Hebel Stucture  
 Brick Veneer Structure  
 Light Guage and Brick Stucture

Application: Townhouse,Dwellings



40mm Fin



## Sub Head, Sub Sill, Sub Frame

Features: High water leakage resistance, simple installation (saving labor), safety, fast delivery

Wall structure suitable:  
 Concret structure  
 Light Guage and Hebel Stucture  
 Double Brick Structure  
 Light Guage and Brick Stucture

Application: Commercial Buildings, Apartment, Townhouse, Dwellings



Sub Head



Sub Sill



Sub JOMB



## Timber reveal+Dampcause

Fetures: high water leakage resistance, simple and fast installation and safety;

Wall structure suitable:  
 Timber Stud and 100/150mm Hebel Stucture  
 Brick Veneer Structure  
 Light Guage and Brick Stucture

Application: Townhouse,Dwellings



Timber reveal

## Standard Color

Standard Color: Black/Monument/Grey/White



Smooth Black-C31122S 2 GN    Smooth Monument-GP22PC    Light Grey-C30520 S 2 GP    Smooth White-C31878 S 2 GB

## Custom color



- ① Brand: Interpon
- ② Customized color: Color bond or RAL swatches
- ③ 10 years warranty Higher resistance products available either.

Features Safe, clean, economical and eco-friendly excellent performance  
Meet the wide range of global coatings standards.



We are proud of having built a long term cooperation with the partners below. We are really appreciative of them giving us professional services so that we can make quality products and provide professional service for our clients. Better products will be created through the efforts from our partners, the clients and RS team.

